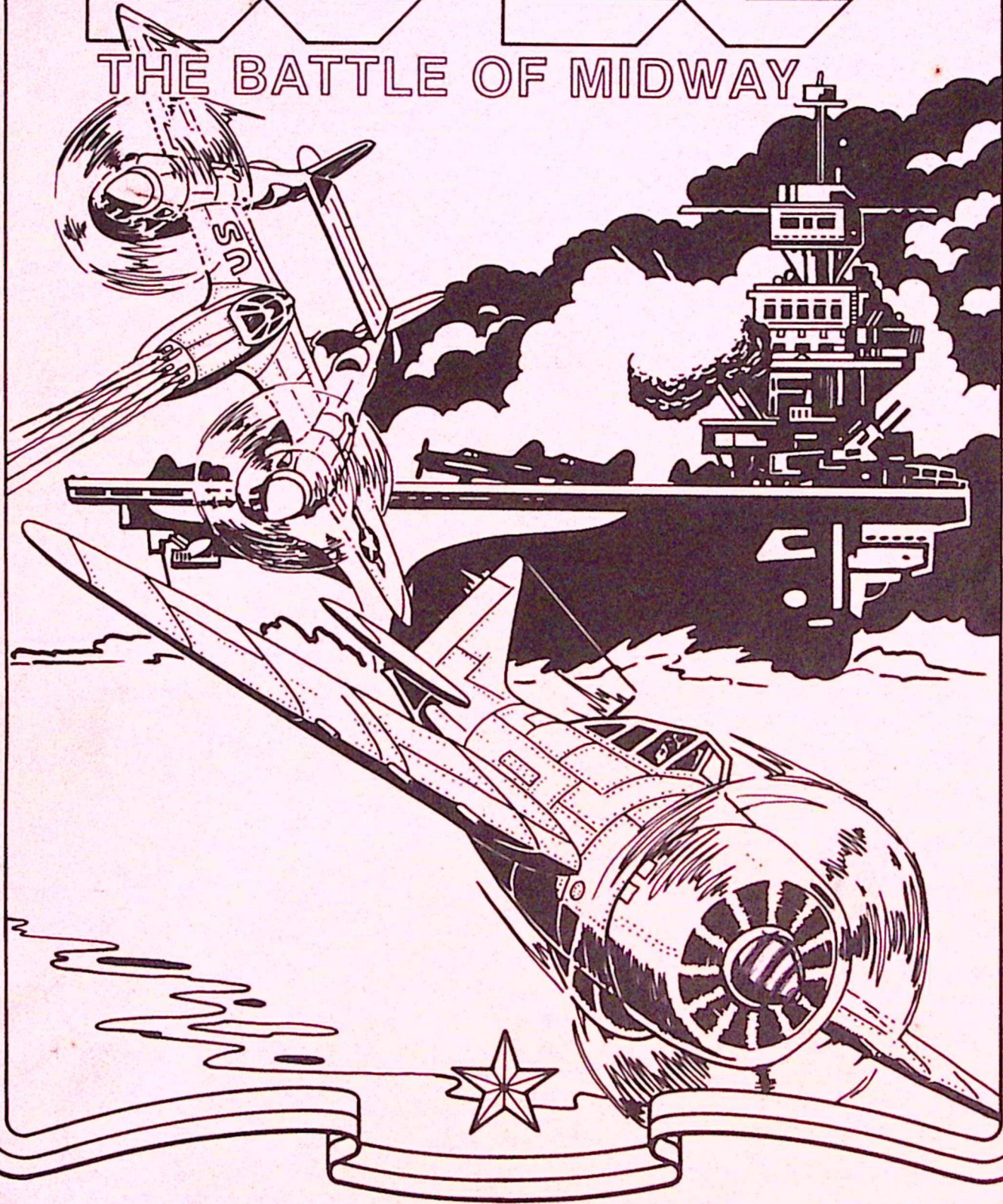


1943

© CAPCOM™

THE BATTLE OF MIDWAY



CAPCOM
CAPCOM U.S.A., INC.

SCHEMATIC DRAWINGS



CAPCOM, USA INC.

Invites You To Use

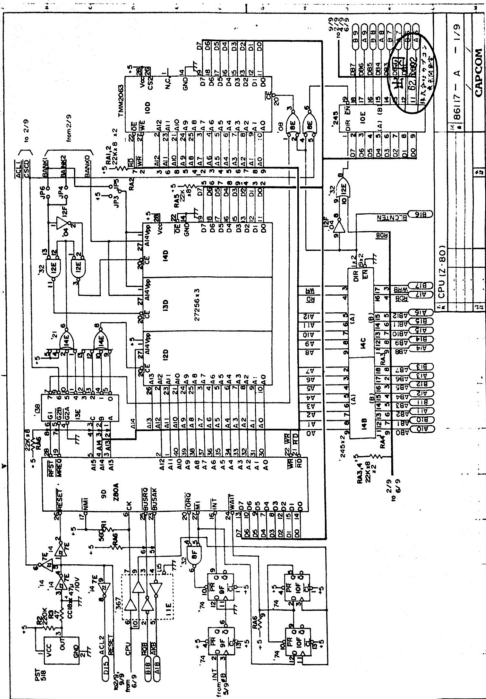
**OUR TOLL FREE NUMBER FOR
SERVICE INFORMATION CONCERNING THIS GAME, OR ANY
OTHER CAPCOM GAME YOU NOW HAVE ON LOCATION.**

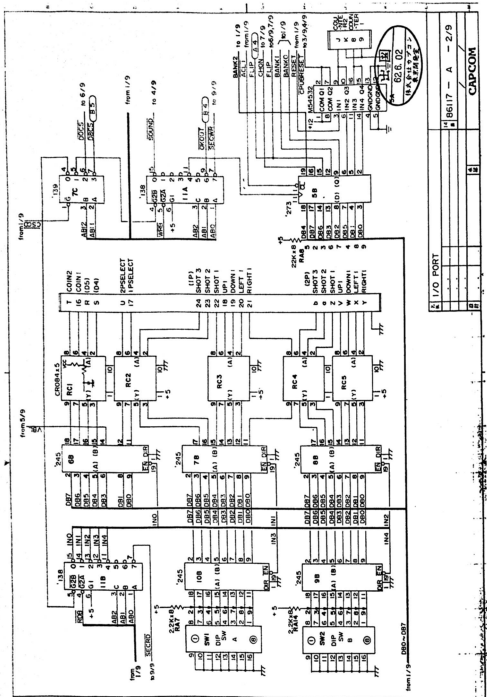
**CALL US FOR PROMPT, COURTEOUS
ANSWERS TO YOUR PROBLEMS.**

Continental U.S. (800) 843-4632

California Only (408) 745-7081

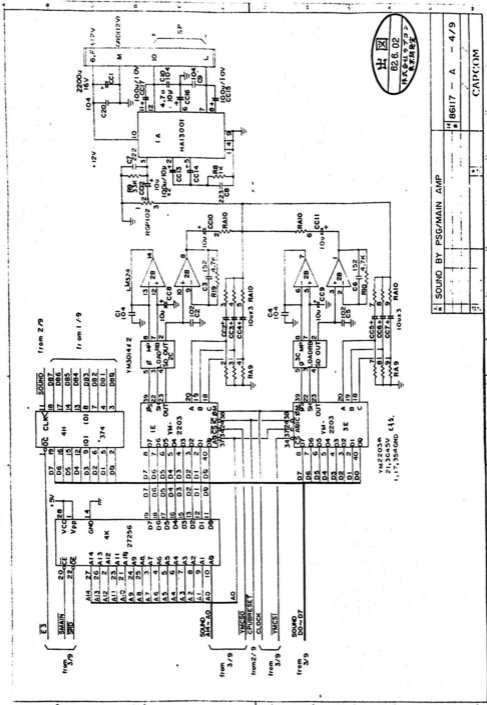
727 0400





1	86117 - A	- 2/9
2		
3		
4		
5		
6		
7		
8		
9		
10		
11		
12		
13		
14		
15		
16		
17		
18		
19		
20		
21		
22		
23		
24		
25		
26		
27		
28		
29		
30		
31		
32		
33		
34		
35		
36		
37		
38		
39		
40		
41		
42		
43		
44		
45		
46		
47		
48		
49		
50		
51		
52		
53		
54		
55		
56		
57		
58		
59		
60		
61		
62		
63		
64		
65		
66		
67		
68		
69		
70		
71		
72		
73		
74		
75		
76		
77		
78		
79		
80		
81		
82		
83		
84		
85		
86		
87		
88		
89		
90		
91		
92		
93		
94		
95		
96		
97		
98		
99		
100		

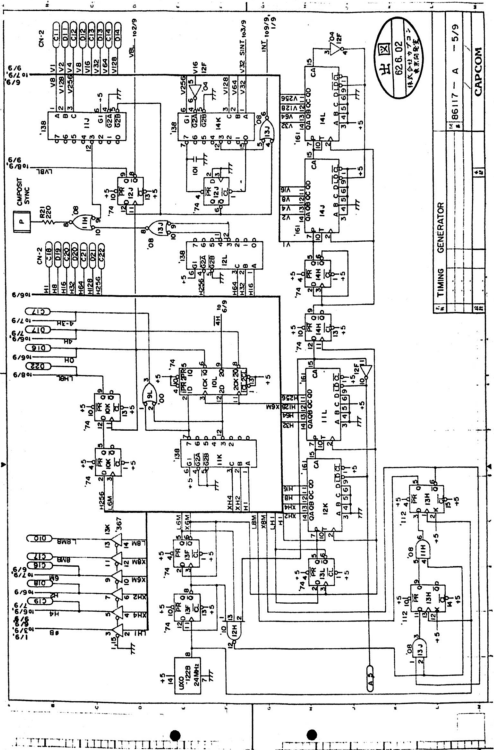
CAPCOM



SOUND BY PSG/MAIN AMP	
1	2
3	4
5	6
7	8
9	10
11	12
13	14
15	16
17	18
19	20
21	22
23	24
25	26
27	28
29	30
31	32
33	34
35	36
37	38
39	40
41	42
43	44
45	46
47	48
49	50
51	52
53	54
55	56
57	58
59	60
61	62
63	64
65	66
67	68
69	70
71	72
73	74
75	76
77	78
79	80
81	82
83	84
85	86
87	88
89	90
91	92
93	94
95	96
97	98
99	100

16B17 - A - 4/9

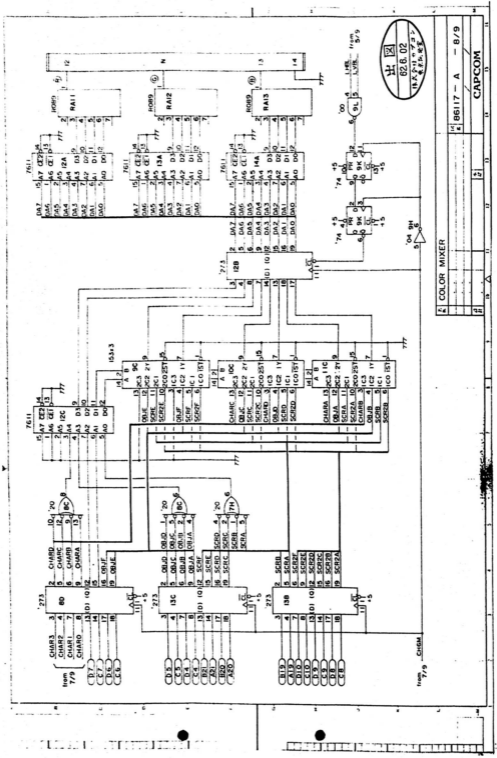
CAPCOM



4 TIMING GENERATOR

1	86117 - A - 5/9
2	
3	
4	
5	

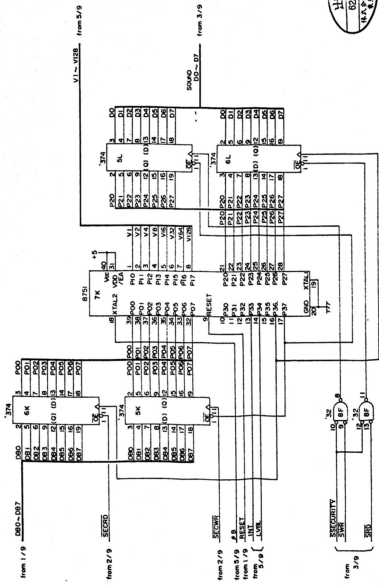
CAPCOM



出 02.0.02
1974.8.27

COLOR MIXER	
1	86117 - A - 8/9
2	
3	
4	
5	
6	
7	
8	
9	
10	
11	
12	
13	
14	
15	
16	
17	
18	
19	
20	
21	
22	
23	
24	
25	
26	
27	
28	
29	
30	
31	
32	
33	
34	
35	
36	
37	
38	
39	
40	
41	
42	
43	
44	
45	
46	
47	
48	
49	
50	
51	
52	
53	
54	
55	
56	
57	
58	
59	
60	
61	
62	
63	
64	
65	
66	
67	
68	
69	
70	
71	
72	
73	
74	
75	
76	
77	
78	
79	
80	
81	
82	
83	
84	
85	
86	
87	
88	
89	
90	
91	
92	
93	
94	
95	
96	
97	
98	
99	
100	

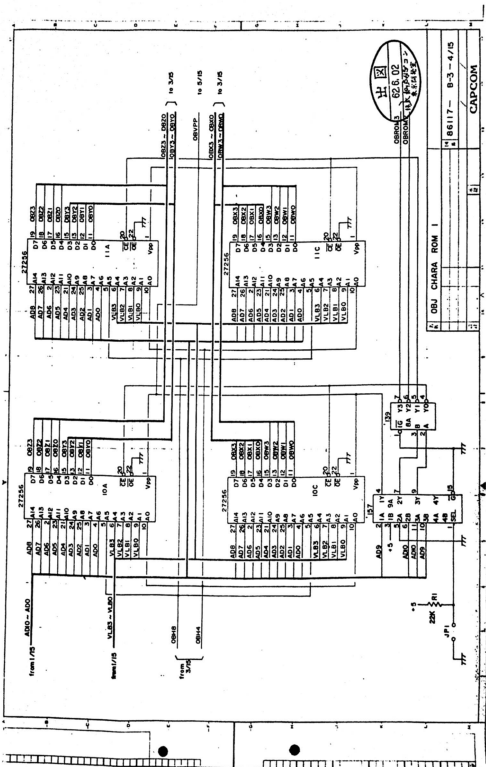
CAPCOM



14	86117 - A	- 9/9
15		
16		
17		
18		
19		
20		

SECURITY

CAPCOM



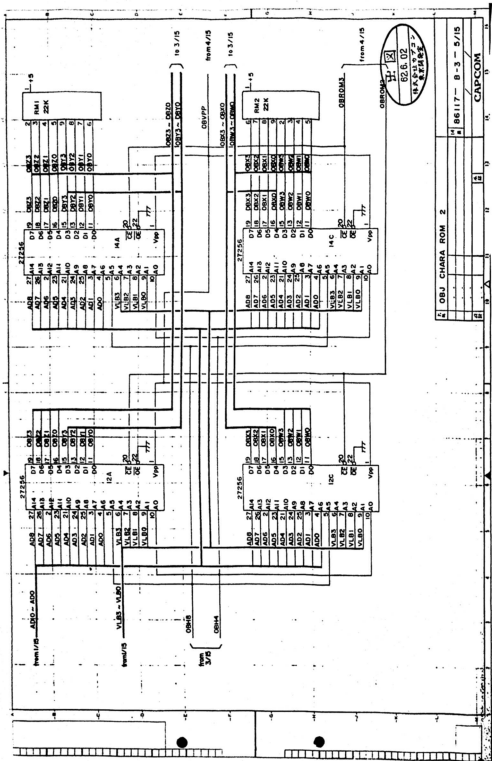
626.02

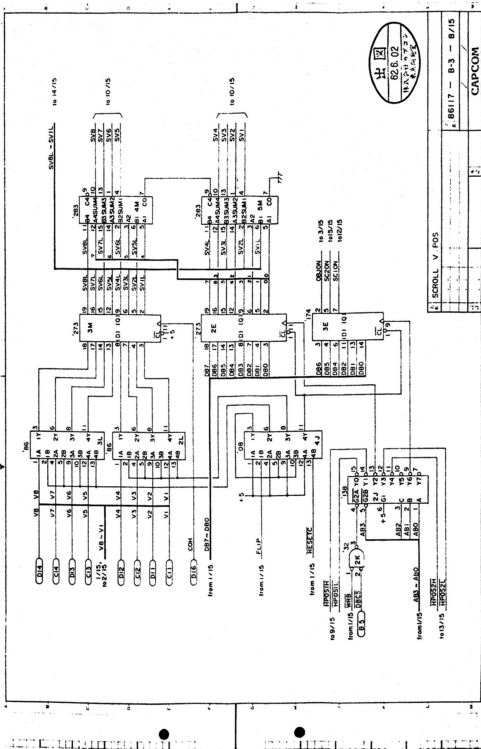
 防衛省 防衛研究所

DBU CHARA ROM I

 86117- B-3-4/15

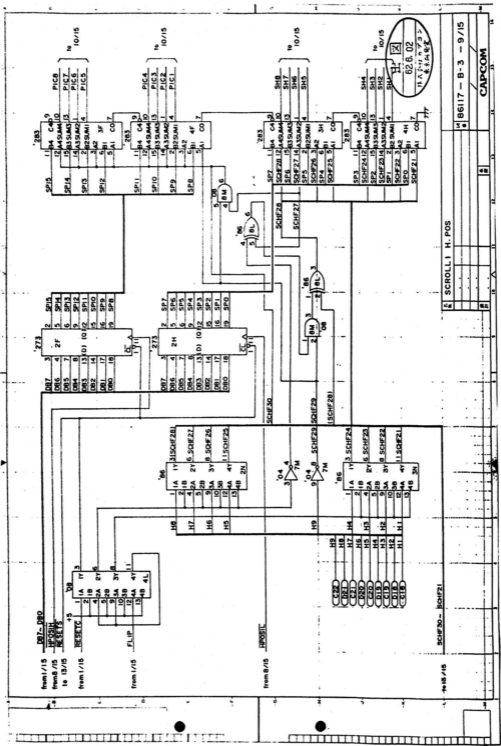
 CAPCOM

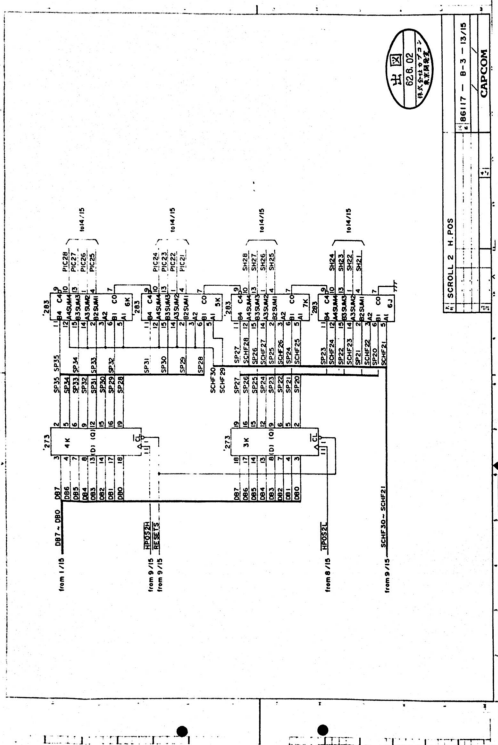




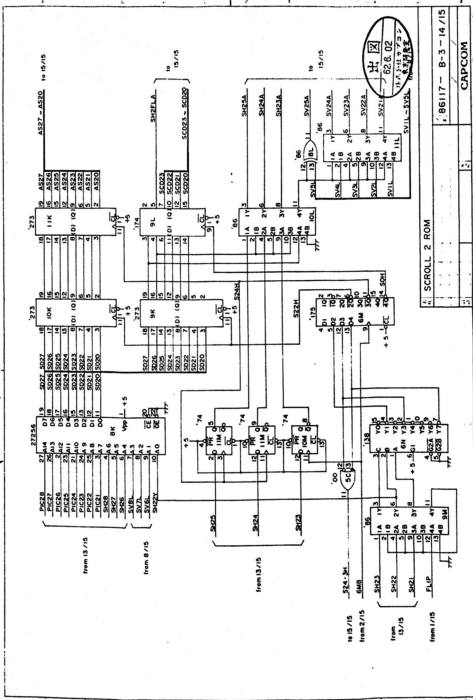
出 国
62.6.02
1975.11.14

86117 - B-3 - 8/15
CAPCOM





SCROLL 2 H. POS	
1	86117 - 8-3 - 13/15
2	
3	CAPCOM



4. SCROLL 2 ROM
 4. 86117 - B-3 - 14/15
 CAPCOM

SOLDER SIDE	PARTS SIDE	
GND	A	1 GND
GND	B	2 GND
+5V	C	3 +5V
+5V	D	4 +5V
-5V	E	5 -5V
+12V	F	6 +12V
	H	7
COIN COUNTER 2	J	8 COIN COUNTER 1
COIN LOCK OUT 2	K	9 COIN LOCK OUT 1
SP (-)	L	10 SP (+)
N.C	M	11 N.C
VIDEO GREEN	N	12 VIDEO RED
VIDEO SYNC	P	13 VIDEO BLUE
SERVICE SM	R	14 VIDEO GND
JILT-SM	S	15 WEST DR
COIN SM 2	T	16 COIN SM 1
START SM 2	U	17 START SM 1
2P UP	V	18 1P UP
2P DOWN	M	19 1P DOWN
2P LEFT	X	20 1P LEFT
2P RIGHT	Y	21 1P RIGHT
2P PUSH 1	Z	22 1P PUSH 1
2P PUSH 2	a	23 1P PUSH 2
2P PUSH 3	b	24 1P PUSH 3
N.C	c	25 N.C
N.C	d	26 N.C
GND	e	27 GND
GND	f	28 GND

} Power Sup.

PARTS NAME
 CITE-800A-3, USE : (UNUSED)
 OR
 1108-006 -009 : (REL.)

- 5V + Coin Counter

- Speaker

- No Connection

- monitor

Light - Coin Door

Power Supply
 Filter not
 necessary but
 OK - No fuse

NOT USED

" " "
 Coin door
 Control panel

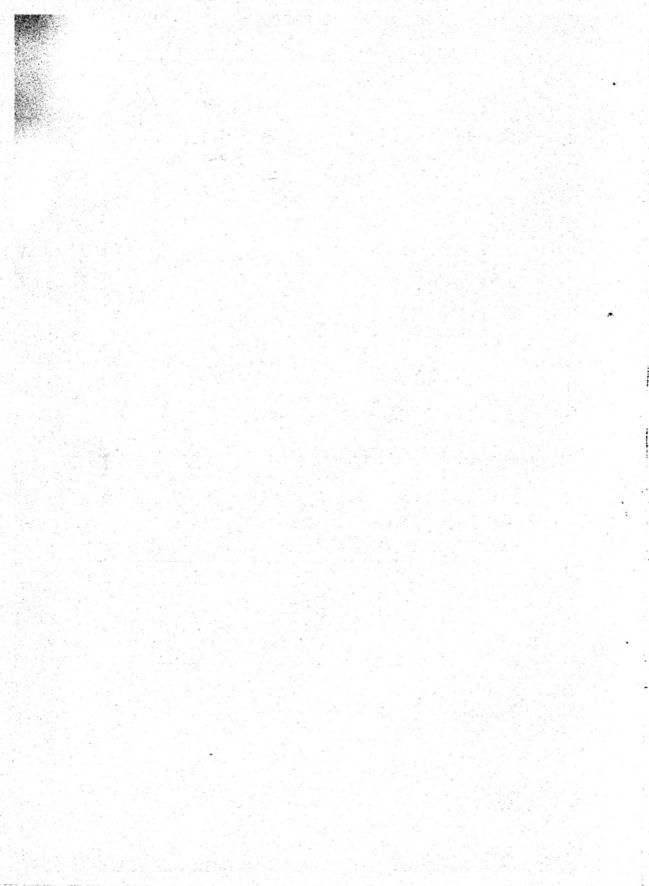


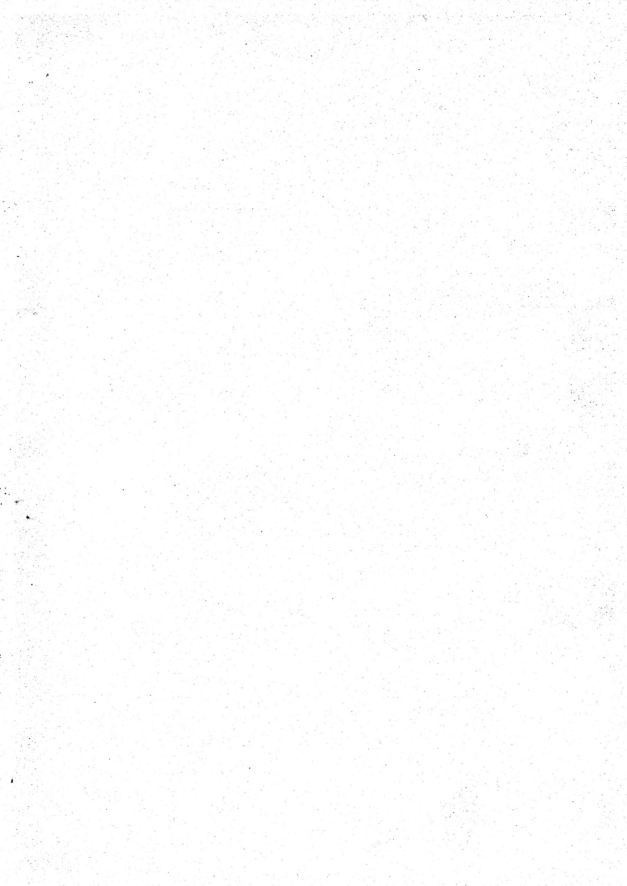
DRAW NO. △ TITLE

DATE * * * * *
 SCALE * * * * *
 WTS * * * * *

DESIGNED APPROVED
 CHECKED
 DRAWN

JAMMA EDGE CONNECTOR
CAPCOM 4E
 DIM TH DR 1 SHEET
 PROJECTION DIM TH DR 1 SHEET





1283-C Mountain View/Alviso Rd.
Sunnyvale, CA 94089