

"AMERICAN SPEEDWAY"

PRE INSTALLATION CHECK LIST

1. Install into horizontal game.
2. Power requirements +5VDC(5A) + 12VDC-(1AMP)
3. Board produces negative composite Sync.
4. Your kit includes:
 1. Complete printed circuit board
 2. Complete harness
 3. Complete steering wheel assy.
 4. Gas pedal assy.
 5. Complete artwork package
 6. Manual

"AMERICAN SPEEDWAY"

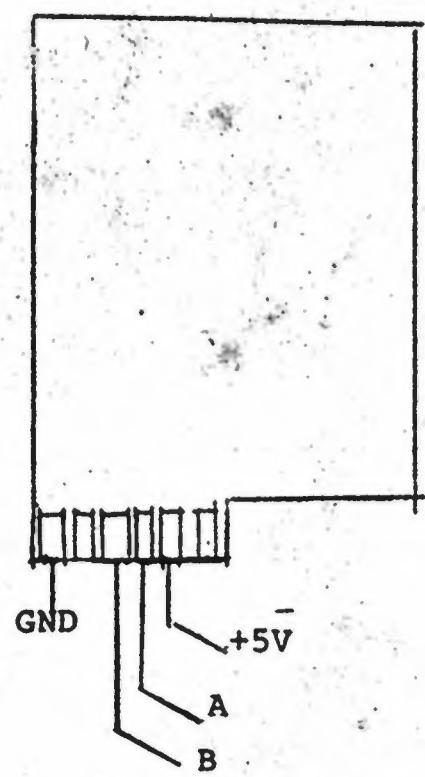
PINOUT

Component Side

Solder Side

<u>TOP OF BOARD</u>		<u>BOTTOM OF BOARD</u>
1.	GND	2. GND
3.	GND	4. +5
5.	GND	6. NA
7.	GND	8. NA
9.	Wheel 2B (Blue Car)	10. Coin A
11.	Coin B	12. Wheel 2A (Blue Car)
13.	Wheel 1B	14. NA
15.	Wheel 1A (Red Car)	16. NA
17.	Pedal 1 (Red Car)	18. NA
19.	Pedal 2 (Blue Car)	20. NA
21.	NA	22. NA
23.	NA	24. NA
25.	NA	26. NA
27.	NA	28. SYNC
29.	Red	30. NA
31.	Green	32. NA
33.	Blue	34. NA
35.	SPKR 2	36. SPKR 2
37.	+12V	38. +12
39.	SPKR 1	40. Spkr. 1
41.	+5	42. +5
43.	GND	44. GND

STEERING BOARD



Solder Side View

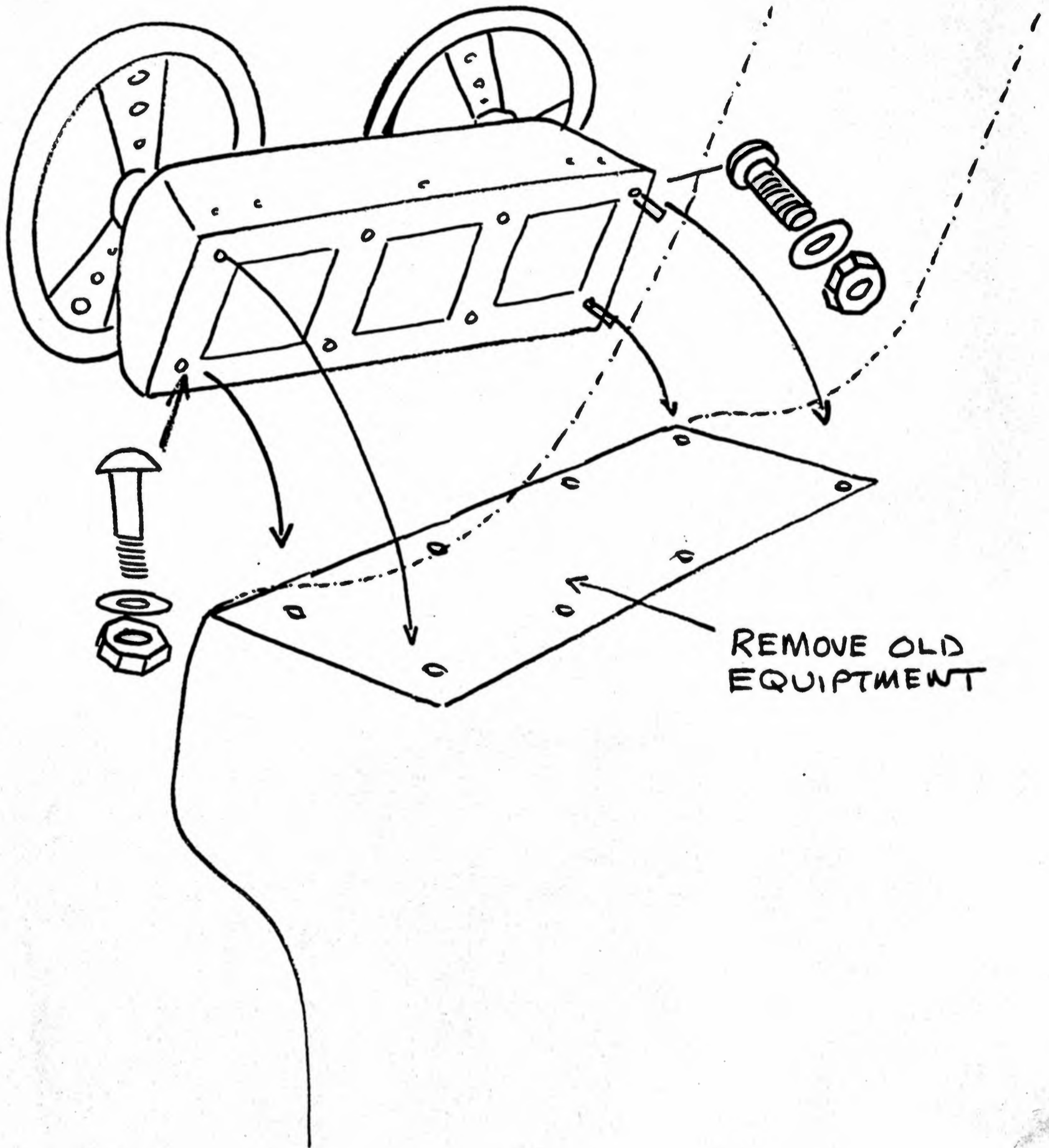
AMERICAN SPEEDWAY

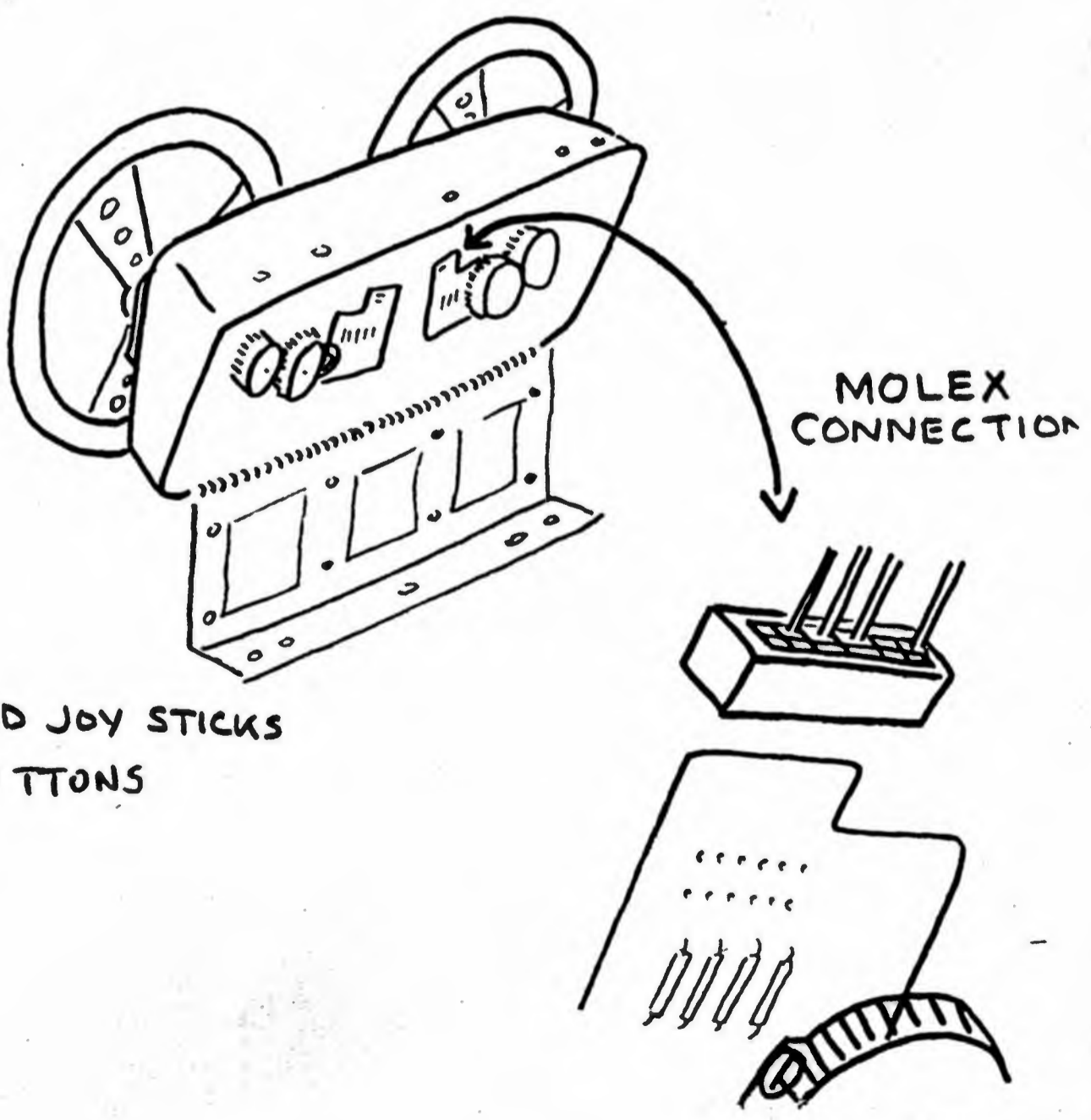
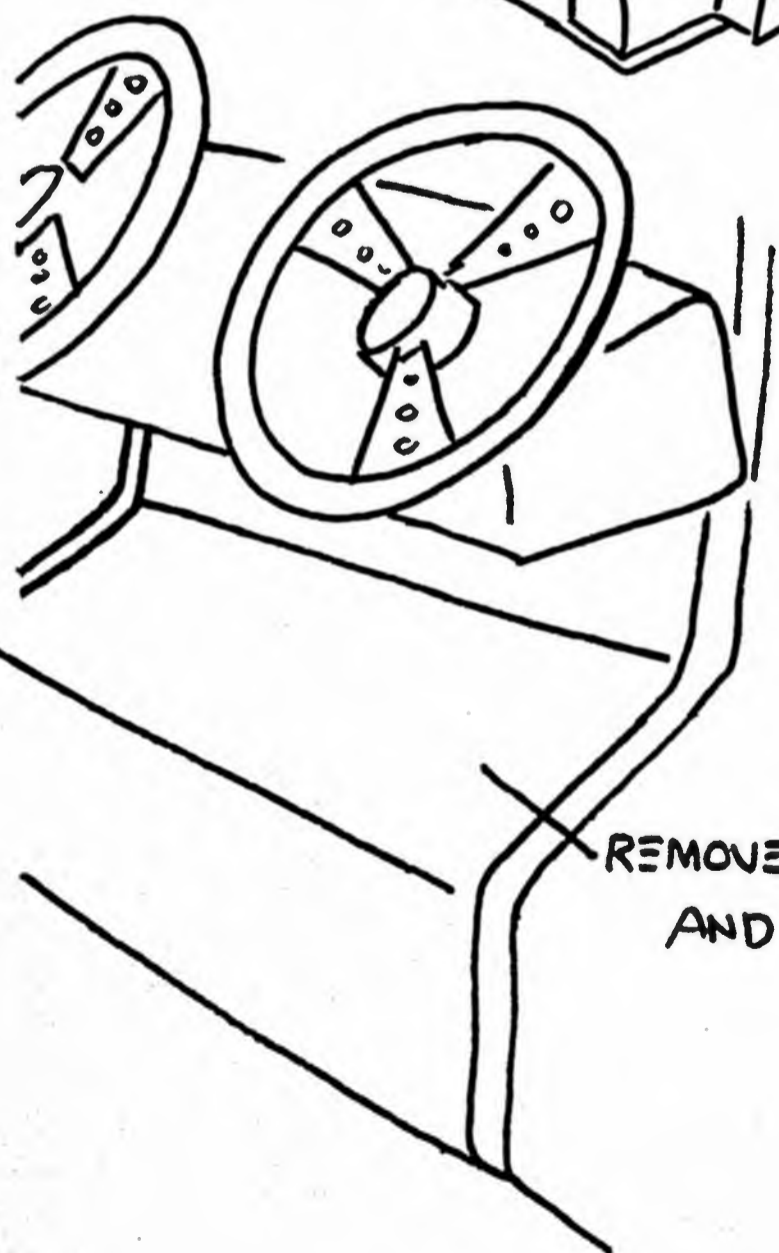
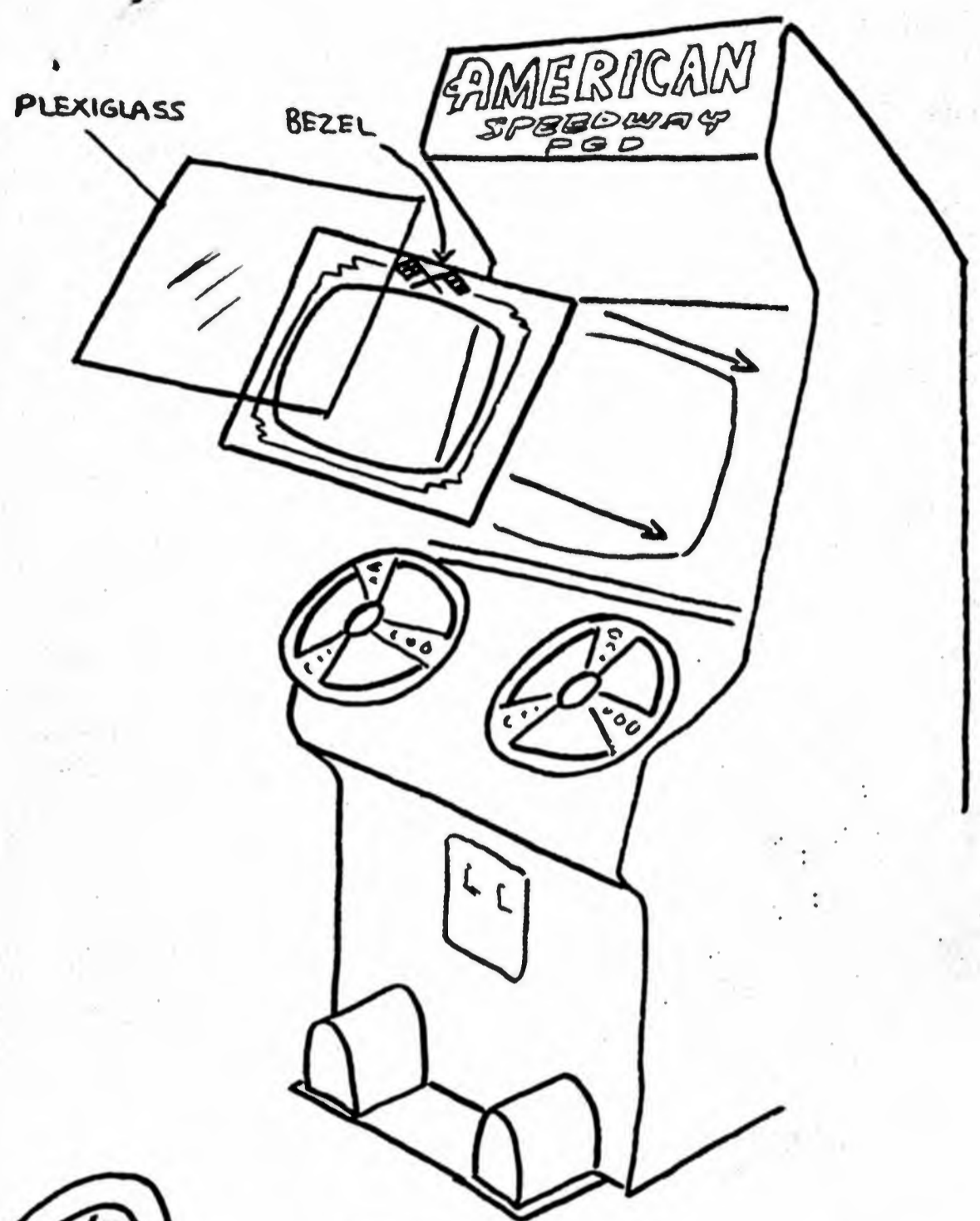
DIPSW 1 LOCATION U47

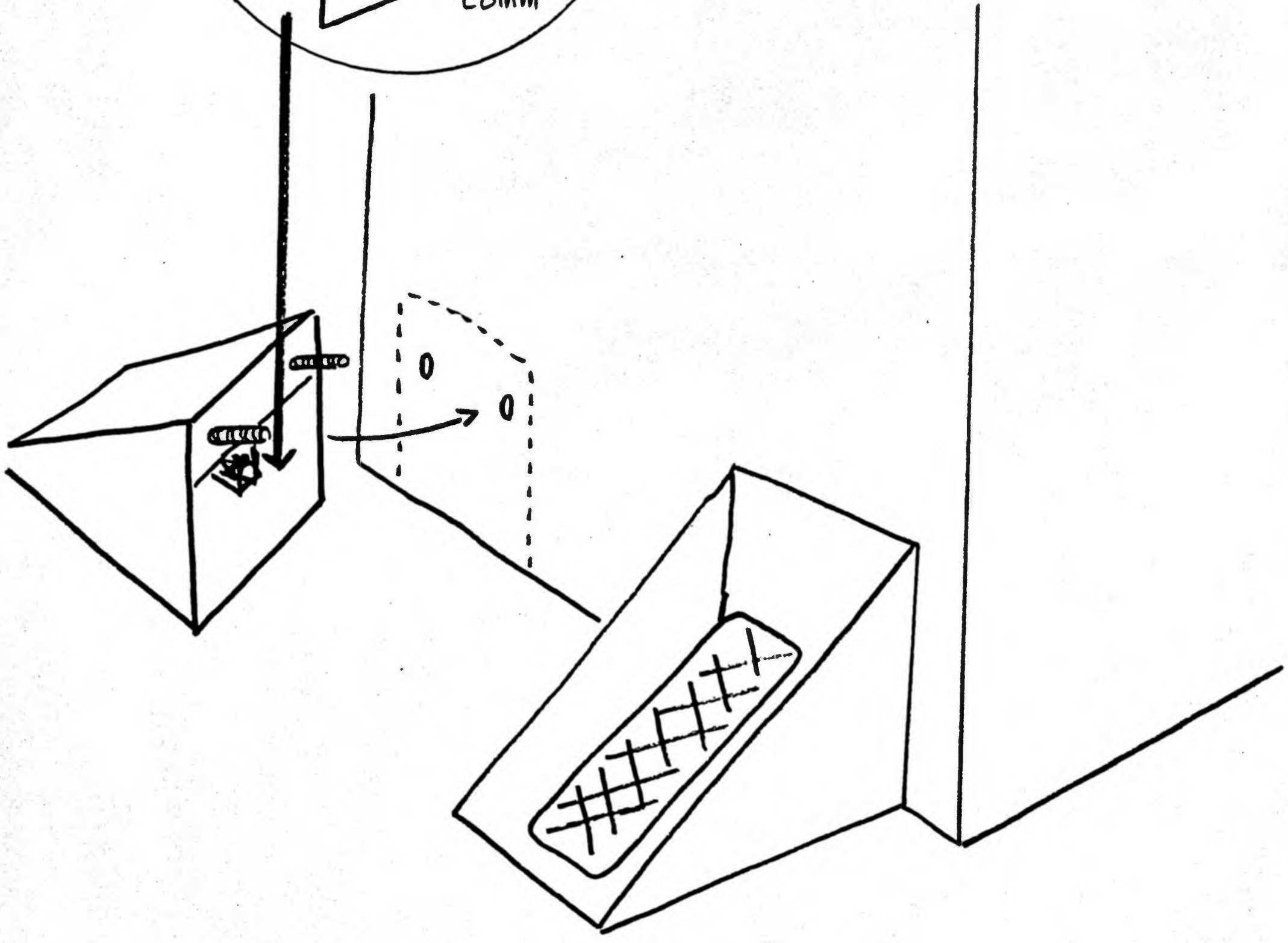
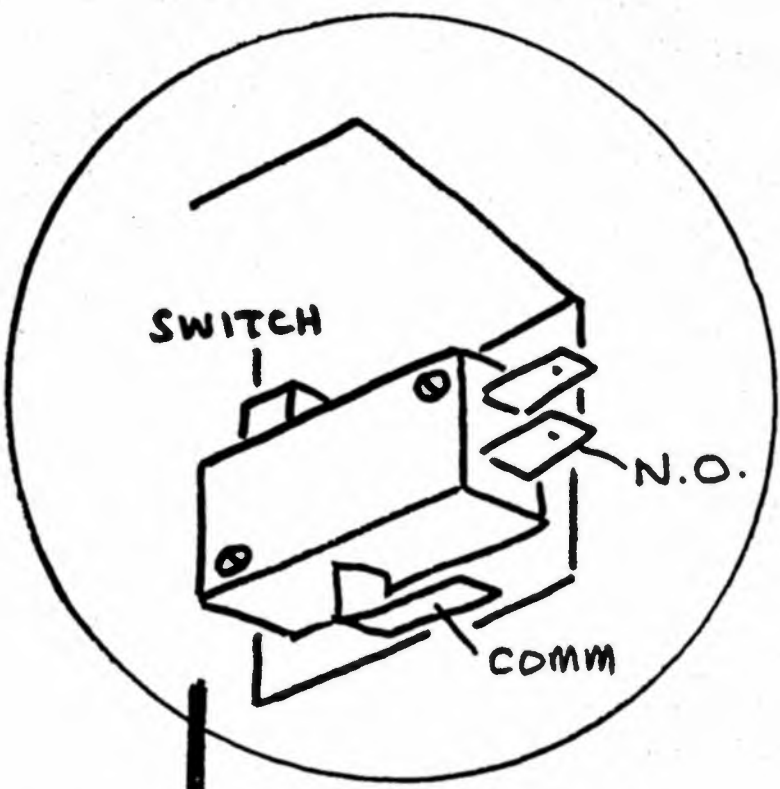
Switch 1	Not used	
Switch 2	Not used	
Switch 3	Not used	
Switch 4	On	No steering diags.
	Off	Steering Diags
Switch 5	On	No Diagnostics
	Off	Diagnostics
Switch 6	On	Attract Sound off
	Off	Attract Sound on
Switch 7	On	No Arrows
	Off	Arrows
Switch 8	On	Play mode
	Off	Put UP Character Set

DIPSW 2 Location U46

Switch 3, 4	<u>Qualifying Round</u>
On On	60 seconds
On Off	45 seconds
Off On	30 seconds
Off Off	20 seconds
Switch 5, 6	<u>Difficulty level</u>
On On	1. Easy
On Off	2. Standard
Off On	3. Intermediate
Off Off	4. Hard
Switch 7, 8	<u>Coin options</u>
On On	Normal 25¢/play
On On	Normal 25¢/play
On Off	2 plays/25¢
Off Off	50¢/play





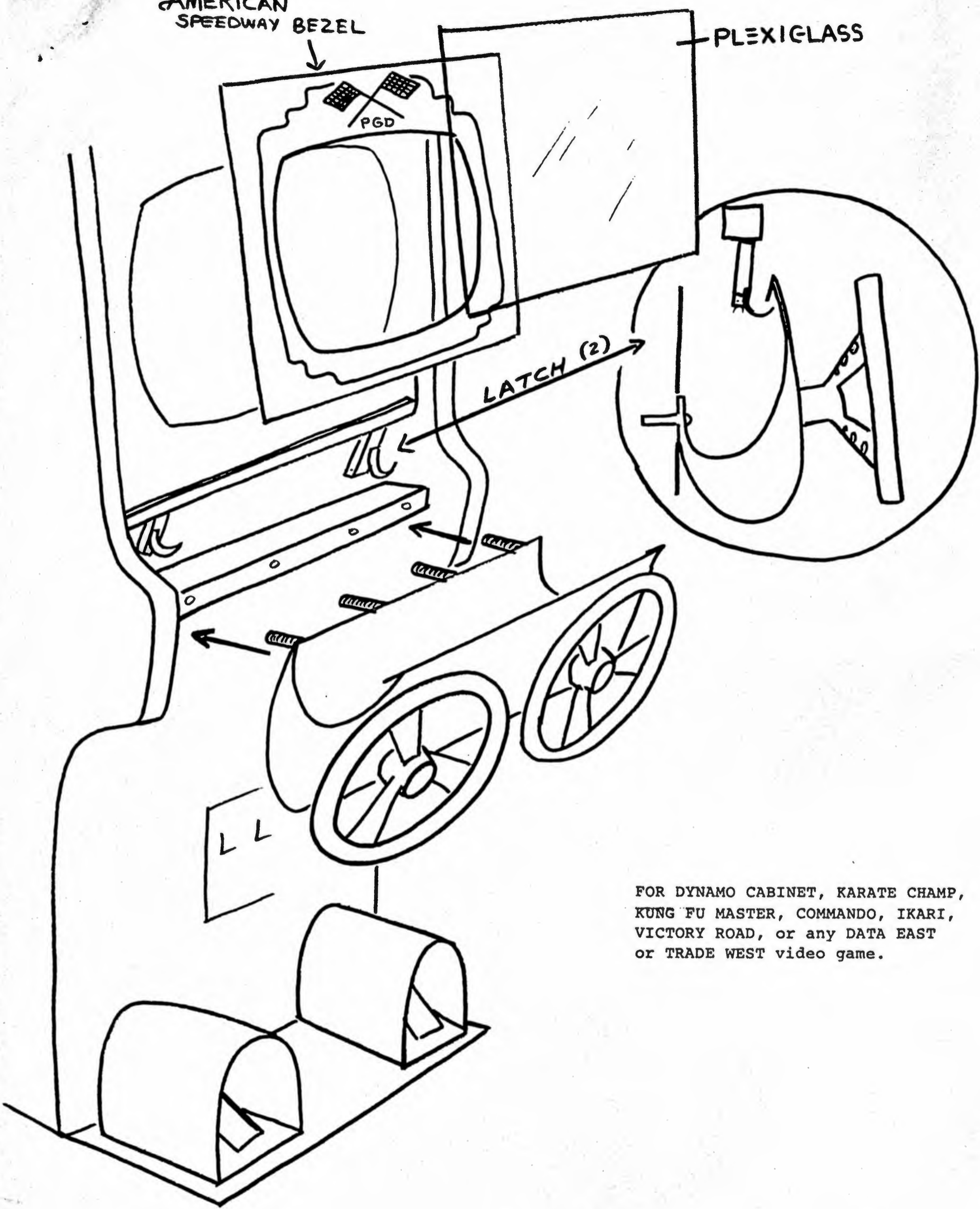


AMERICAN
SPEEDWAY BEZEL

PLEXIGLASS

PGD

LATCH (2)



FOR DYNAMO CABINET, KARATE CHAMP,
 KUNG FU MASTER, COMMANDO, IKARI,
 VICTORY ROAD, or any DATA EAST
 or TRADE WEST video game.

