

RAMTEK CORPORATION
292 COMMERCIAL ST.
SUNNYVALE, CA 94086
PHONE (408) 735-8400
TWX 910-339-9379

RAMTEK BASEBALL AMUSEMENT DEVICE

The Baseball game is set up at the factory for one coin per player and game length of two innings. These values may be changed by the following.

Switch Selections

1. The switch is located on board two, PN (055186), location J-6.
2. The different selections possible are:

A. Switch #3

OFF - 1 Player One Coin

ON - 2 Players One Coin

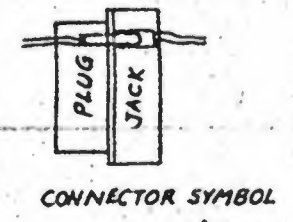
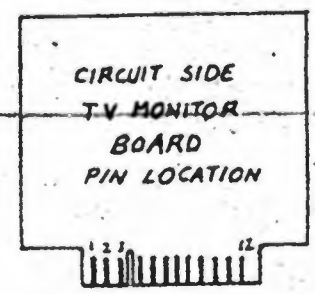
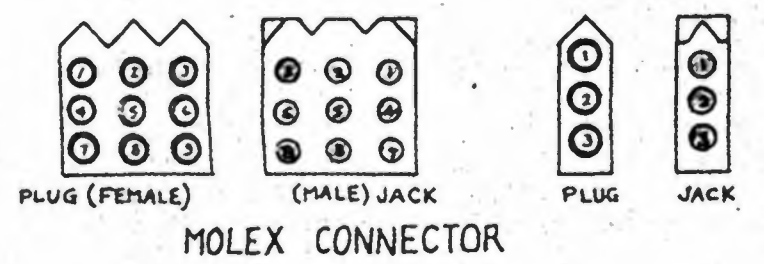
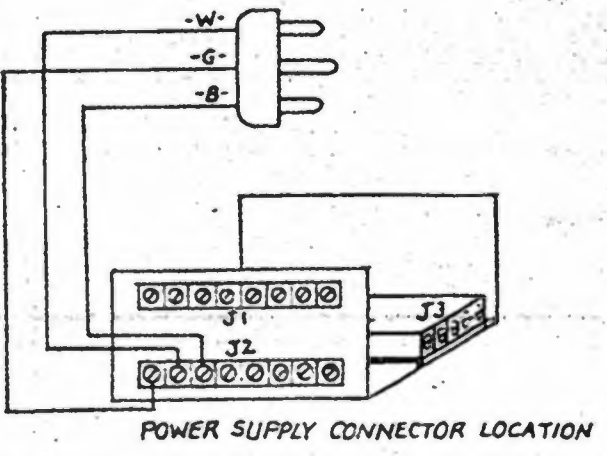
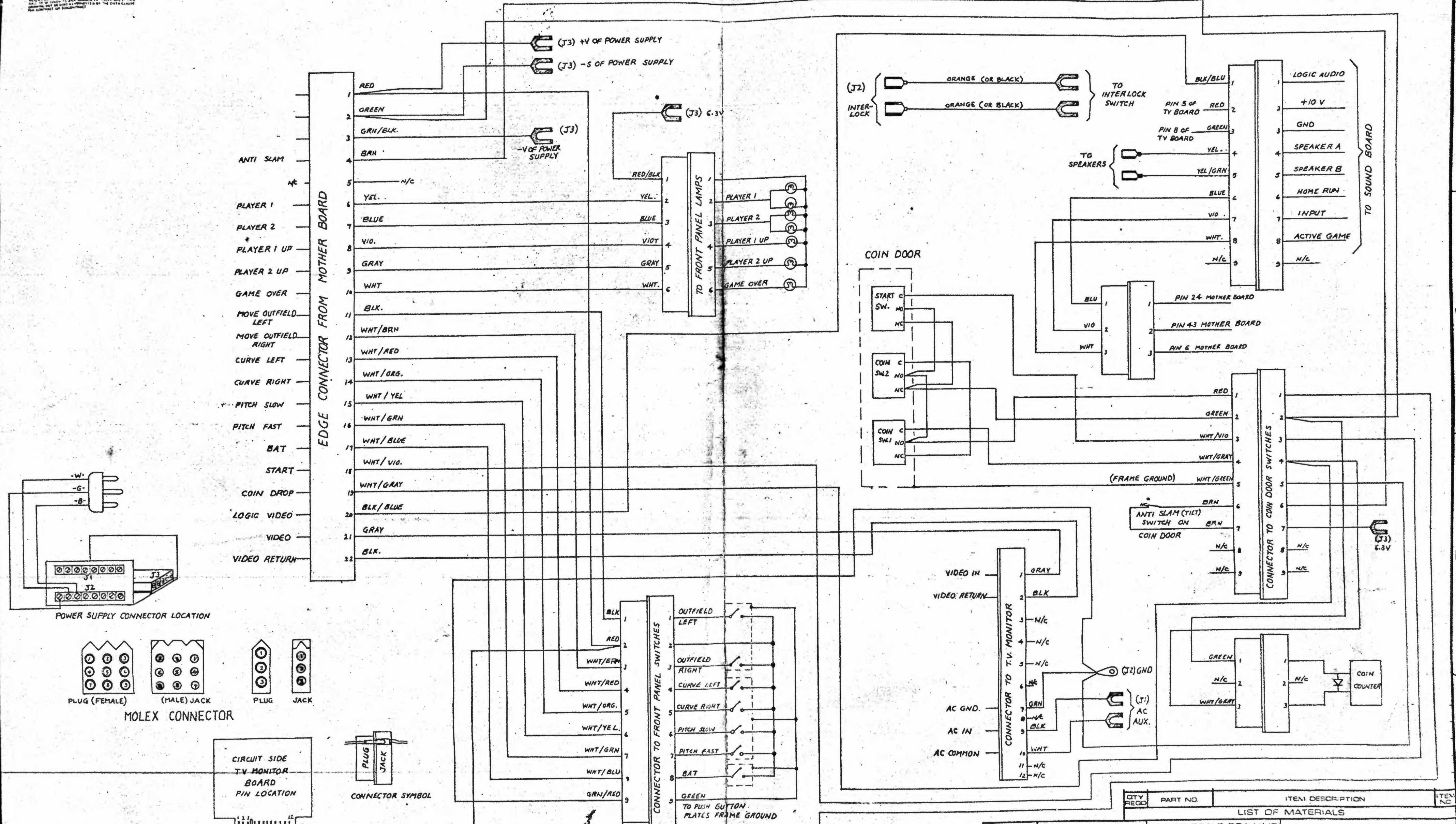
B. Switch #1, #2 and #4 select the number of innings:

<u>#1</u>	<u>#2</u>	<u>#4</u>	<u>Inning</u>
ON	OFF	OFF	1
OFF	ON	OFF	2
OFF	OFF	ON	3
ON	ON	OFF	5

1 2 3 4
OFF ON OFF OFF

NOTICE: THIS DRAWING IS THE PROPERTY OF RAMTEK. IT IS TO BE USED ONLY FOR THE PROJECT AND FOR WHICH IT WAS PREPARED. IT IS NOT TO BE REPRODUCED OR TRANSMITTED IN ANY FORM OR BY ANY MEANS, ELECTRONIC OR MECHANICAL, INCLUDING PHOTOCOPYING, RECORDING, OR BY ANY INFORMATION STORAGE AND RETRIEVAL SYSTEM, WITHOUT THE WRITTEN PERMISSION OF RAMTEK.

D
C
B
A



NOTES:
1. ON A PAIR OF CONNECTORS, WIRES ON JACK SIDE HAS SAME COLOR CODE AS THE PLUG SIDE.
2. CONNECTION OF TWO WIRES IS DENOTED BY A HEAVY DOT AT THE CONNECTING POINT; CR

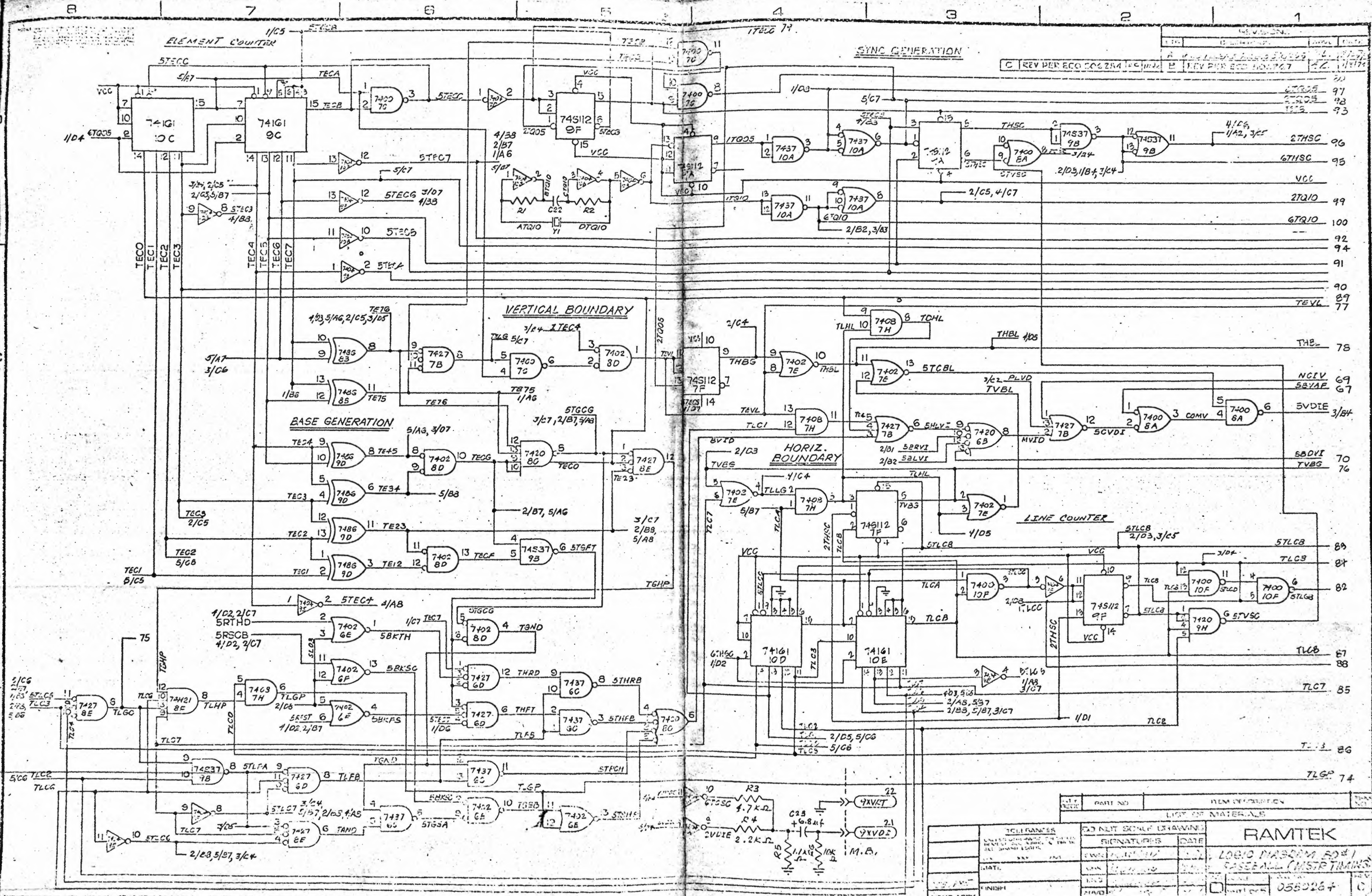
LIST OF MATERIALS		ITEM DESCRIPTION		ITEM NO.
QTY REQD	PART NO.	ITEM DESCRIPTION		ITEM NO.
		CABLE SCHEMATIC		
		BASEBALL GAME		
		SIZE	SCALE	DWG NO.
				0550457

TOLERANCES		DO NOT SCALE DRAWING	
UNLESS OTHERWISE SPECIFIED REMOVE ALL BURRS & DEBUR ALL SHARP EDGES.		SIGNATURES	DATE
.XX	.XXX	OWN	
MATL		CHK	
FINISH		ENG	
NEXT ASSY		APVO	

RAMTEK

CABLE SCHEMATIC
BASEBALL GAME

DWG NO. 0550457



REV	PER	ECO	NO	DATE	BY
C	REV	PER	ECO	NO <td>DATE</td>	DATE
E	REV	PER	ECO	NO <td>DATE</td>	DATE

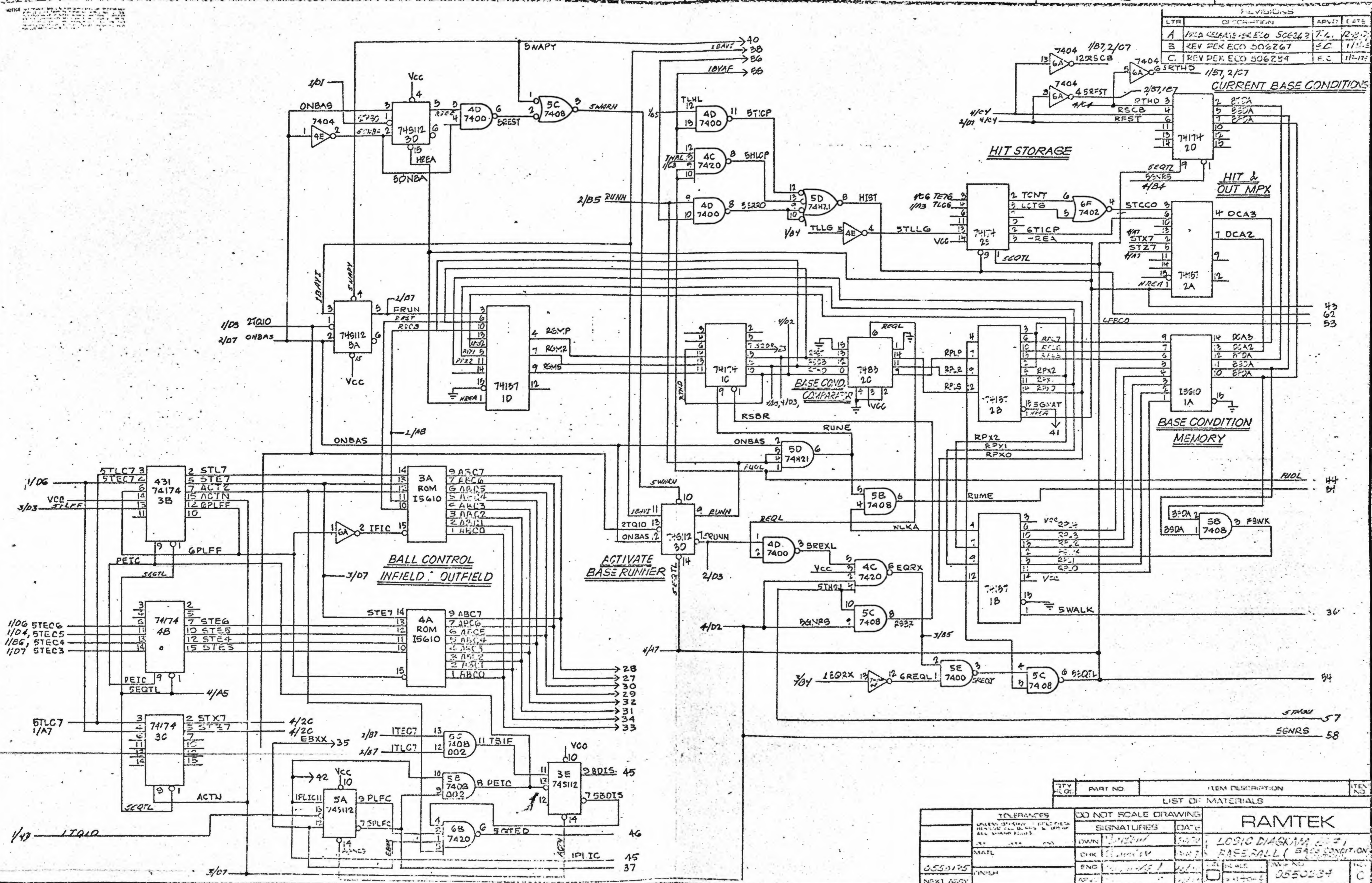
NO	DESCRIPTION	QTY	UNIT
97	7400	1	IC
98	7402	1	IC
99	7408	1	IC
100	7410	1	IC
91	7412	1	IC
92	7413	1	IC
93	7414	1	IC
94	7415	1	IC
95	7416	1	IC
96	7417	1	IC
97	7418	1	IC
98	7419	1	IC
99	7420	1	IC
100	7421	1	IC
91	7422	1	IC
92	7423	1	IC
93	7424	1	IC
94	7425	1	IC
95	7426	1	IC
96	7427	1	IC
97	7428	1	IC
98	7429	1	IC
99	7430	1	IC
100	7431	1	IC
91	7432	1	IC
92	7433	1	IC
93	7434	1	IC
94	7435	1	IC
95	7436	1	IC
96	7437	1	IC
97	7438	1	IC
98	7439	1	IC
99	7440	1	IC
100	7441	1	IC
91	7442	1	IC
92	7443	1	IC
93	7444	1	IC
94	7445	1	IC
95	7446	1	IC
96	7447	1	IC
97	7448	1	IC
98	7449	1	IC
99	7450	1	IC
100	7451	1	IC
91	7452	1	IC
92	7453	1	IC
93	7454	1	IC
94	7455	1	IC
95	7456	1	IC
96	7457	1	IC
97	7458	1	IC
98	7459	1	IC
99	7460	1	IC
100	7461	1	IC
91	7462	1	IC
92	7463	1	IC
93	7464	1	IC
94	7465	1	IC
95	7466	1	IC
96	7467	1	IC
97	7468	1	IC
98	7469	1	IC
99	7470	1	IC
100	7471	1	IC
91	7472	1	IC
92	7473	1	IC
93	7474	1	IC
94	7475	1	IC
95	7476	1	IC
96	7477	1	IC
97	7478	1	IC
98	7479	1	IC
99	7480	1	IC
100	7481	1	IC
91	7482	1	IC
92	7483	1	IC
93	7484	1	IC
94	7485	1	IC
95	7486	1	IC
96	7487	1	IC
97	7488	1	IC
98	7489	1	IC
99	7490	1	IC
100	7491	1	IC
91	7492	1	IC
92	7493	1	IC
93	7494	1	IC
94	7495	1	IC
95	7496	1	IC
96	7497	1	IC
97	7498	1	IC
98	7499	1	IC
99	7500	1	IC

REV	DATE	BY	DESCRIPTION
1			
2			
3			
4			
5			
6			
7			
8			
9			
10			

NO	DESCRIPTION	QTY	UNIT
1	7400	1	IC
2	7402	1	IC
3	7408	1	IC
4	7410	1	IC
5	7412	1	IC
6	7413	1	IC
7	7414	1	IC
8	7415	1	IC
9	7416	1	IC
10	7417	1	IC
11	7418	1	IC
12	7419	1	IC
13	7420	1	IC
14	7421	1	IC
15	7422	1	IC
16	7423	1	IC
17	7424	1	IC
18	7425	1	IC
19	7426	1	IC
20	7427	1	IC
21	7428	1	IC
22	7429	1	IC
23	7430	1	IC
24	7431	1	IC
25	7432	1	IC
26	7433	1	IC
27	7434	1	IC
28	7435	1	IC
29	7436	1	IC
30	7437	1	IC
31	7438	1	IC
32	7439	1	IC
33	7440	1	IC
34	7441	1	IC
35	7442	1	IC
36	7443	1	IC
37	7444	1	IC
38	7445	1	IC
39	7446	1	IC
40	7447	1	IC
41	7448	1	IC
42	7449	1	IC
43	7450	1	IC
44	7451	1	IC
45	7452	1	IC
46	7453	1	IC
47	7454	1	IC
48	7455	1	IC
49	7456	1	IC
50	7457	1	IC
51	7458	1	IC
52	7459	1	IC
53	7460	1	IC
54	7461	1	IC
55	7462	1	IC
56	7463	1	IC
57	7464	1	IC
58	7465	1	IC
59	7466	1	IC
60	7467	1	IC
61	7468	1	IC
62	7469	1	IC
63	7470	1	IC
64	7471	1	IC
65	7472	1	IC
66	7473	1	IC
67	7474	1	IC
68	7475	1	IC
69	7476	1	IC
70	7477	1	IC
71	7478	1	IC
72	7479	1	IC
73	7480	1	IC
74	7481	1	IC
75	7482	1	IC
76	7483	1	IC
77	7484	1	IC
78	7485	1	IC
79	7486	1	IC
80	7487	1	IC
81	7488	1	IC
82	7489	1	IC
83	7490	1	IC
84	7491	1	IC
85	7492	1	IC
86	7493	1	IC
87	7494	1	IC
88	7495	1	IC
89	7496	1	IC
90	7497	1	IC
91	7498	1	IC
92	7499	1	IC
93	7500	1	IC

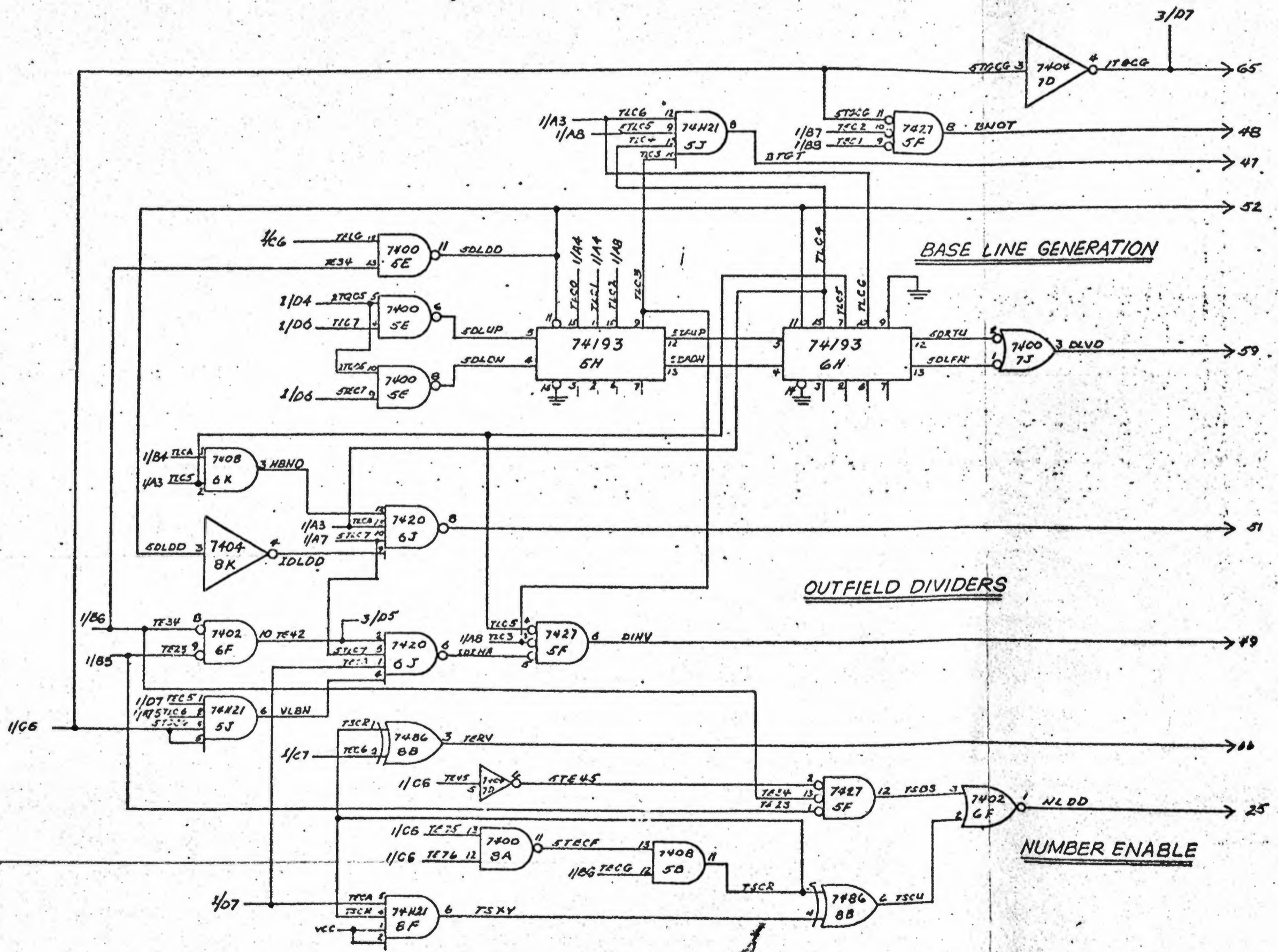
RAMTEK
 LOGIC DRAWING NO. 1
 BASEBALL TIMING
 0580264

LTR	DESCRIPTION	REV	DATE
A	1973 RELEASES-RECO 506267	T.L.	12-12-73
B	REV PER ECO 506267	S.C.	11-11-73
C	REV PER ECO 506267	F.C.	11-17-73



QTY	LOC	PART NO	ITEM DESCRIPTION	TEST
LIST OF MATERIALS				
RAMTEK				
DO NOT SCALE DRAWING				
SIGNATURES		DATE		
DESIGNER	DATE	CHKD	DATE	
ENGR	DATE	APP	DATE	
TESTER	DATE	APP	DATE	
LOGIC DIAGRAM FOR BASE BALL (BASE CONDITION)				
506267				

REVISIONS			
REV	DESCRIPTION	APPROV	DATE
A	REV PER ECO 506267	E.C.	11/8/72
B	REV PER ECO 506267	E.C.	11/8/72
C	REV PER ECO 506267	E.C.	11/8/72



QTY	PART NO	ITEM DESCRIPTION	ITEM NO
LIST OF MATERIALS			
TOLERANCES			
DO NOT SCALE DRAWINGS			
SIGNATURES		DATE	
OWN	CHK	DATE	
ENG	CHK	DATE	
APVD	CHK	DATE	
MATERIAL		FINISH	
NEXT ASSY		REV NO	
		REV	

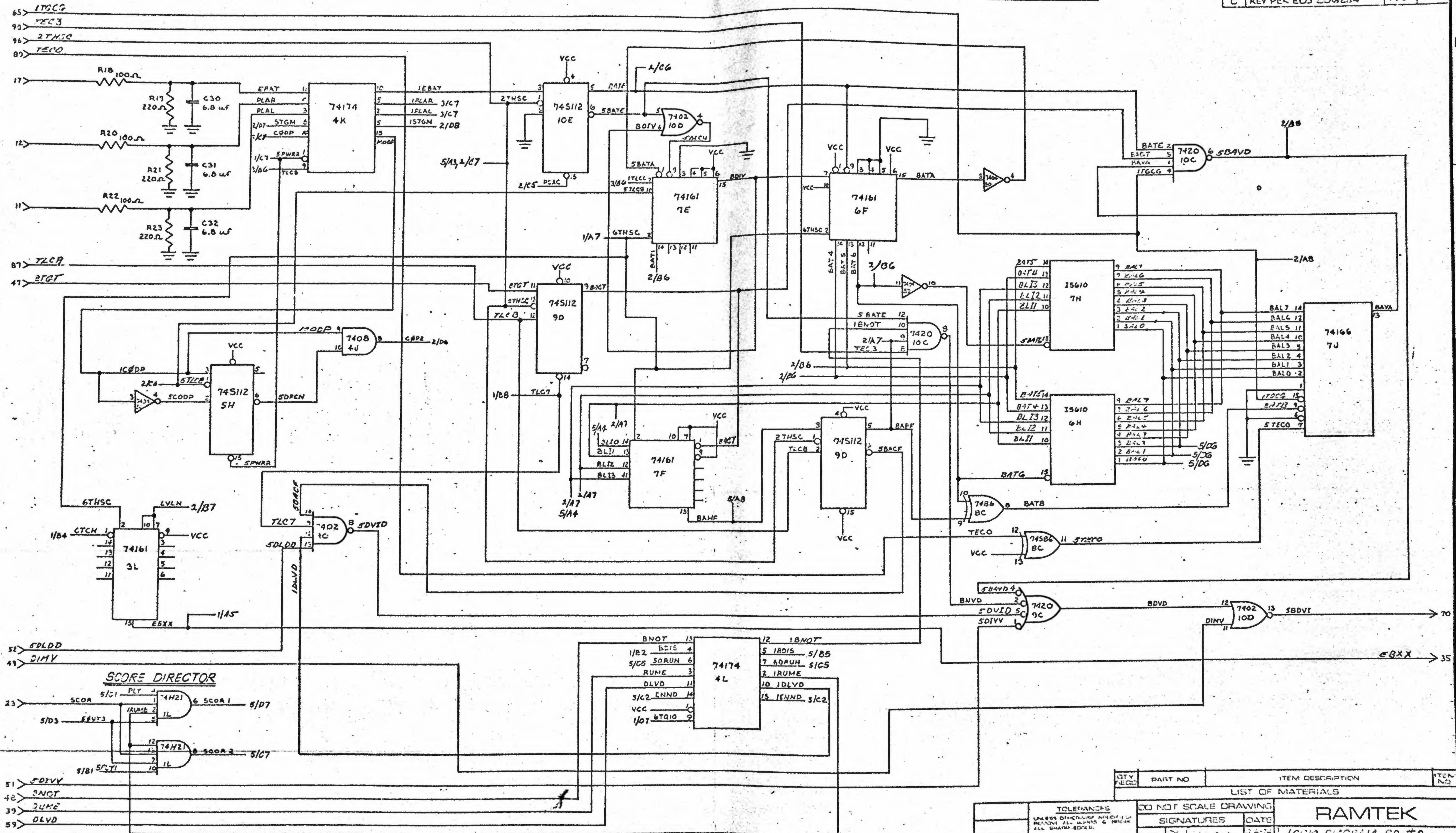
RAMTEK

LOGIC DIAGRAM ED #1
BASEBALL

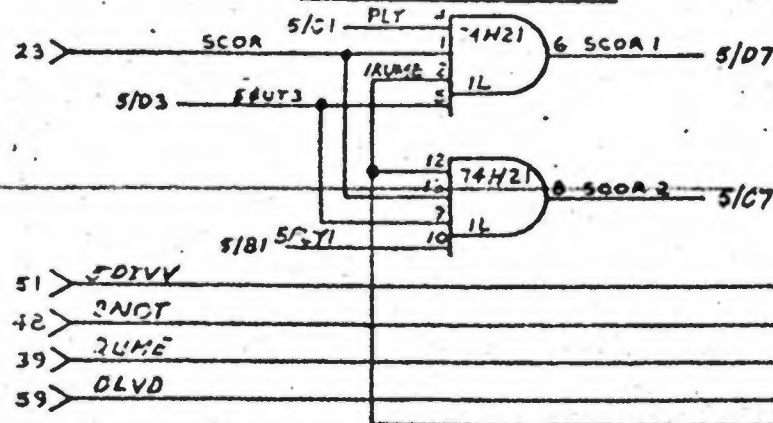
REV NO: 0550284
REV: C

BAT GENERATION

REVISIONS			
LT#	DESCRIPTION	APVD	DATE
A	PROD. RELEASE PER ECD 506263	T.L.C.	11/15/77
B	REV PER ECD 506272	E.C.	11/15/77
C	REV PER ECD 506284	F.C.	11/21/77



SCORE DIRECTOR



BNOT	13	12	1BNOT
1/1B2	5C15	4	5 1B15
5/1C5	5ORUN	6	7 5ORUN
RUME	3	3	2 1RUME
DLVD	11	10	10 1DLVD
5/1C2	5NND	14	15 15NND
VCC	6	6	
1/107	6TQ10	9	

QTY	PART NO	ITEM DESCRIPTION	TEN NO																								
LIST OF MATERIALS																											
<table border="1"> <tr> <th colspan="2">TOLERANCES</th> <th colspan="2">DO NOT SCALE DRAWING</th> </tr> <tr> <td>UNLESS OTHERWISE SPECIFIED</td> <td>ALL DIMENSIONS ARE IN INCHES</td> <td>SIGNATURES</td> <td>DATE</td> </tr> <tr> <td>0.125</td> <td>0.005</td> <td>OWN</td> <td></td> </tr> <tr> <td>0.005</td> <td>0.0005</td> <td>CHK</td> <td></td> </tr> <tr> <td>0.0005</td> <td>0.00005</td> <td>ENG</td> <td></td> </tr> <tr> <td>0.00005</td> <td>0.000005</td> <td>FINISH</td> <td></td> </tr> </table>				TOLERANCES		DO NOT SCALE DRAWING		UNLESS OTHERWISE SPECIFIED	ALL DIMENSIONS ARE IN INCHES	SIGNATURES	DATE	0.125	0.005	OWN		0.005	0.0005	CHK		0.0005	0.00005	ENG		0.00005	0.000005	FINISH	
TOLERANCES		DO NOT SCALE DRAWING																									
UNLESS OTHERWISE SPECIFIED	ALL DIMENSIONS ARE IN INCHES	SIGNATURES	DATE																								
0.125	0.005	OWN																									
0.005	0.0005	CHK																									
0.0005	0.00005	ENG																									
0.00005	0.000005	FINISH																									
<p align="center">RAMTEK</p> <p align="center">LOGIC DIAGRAM BD #2</p> <p align="center">BASEBALL (BAT)</p>			REV																								
<p align="right">0550285</p>			C																								

