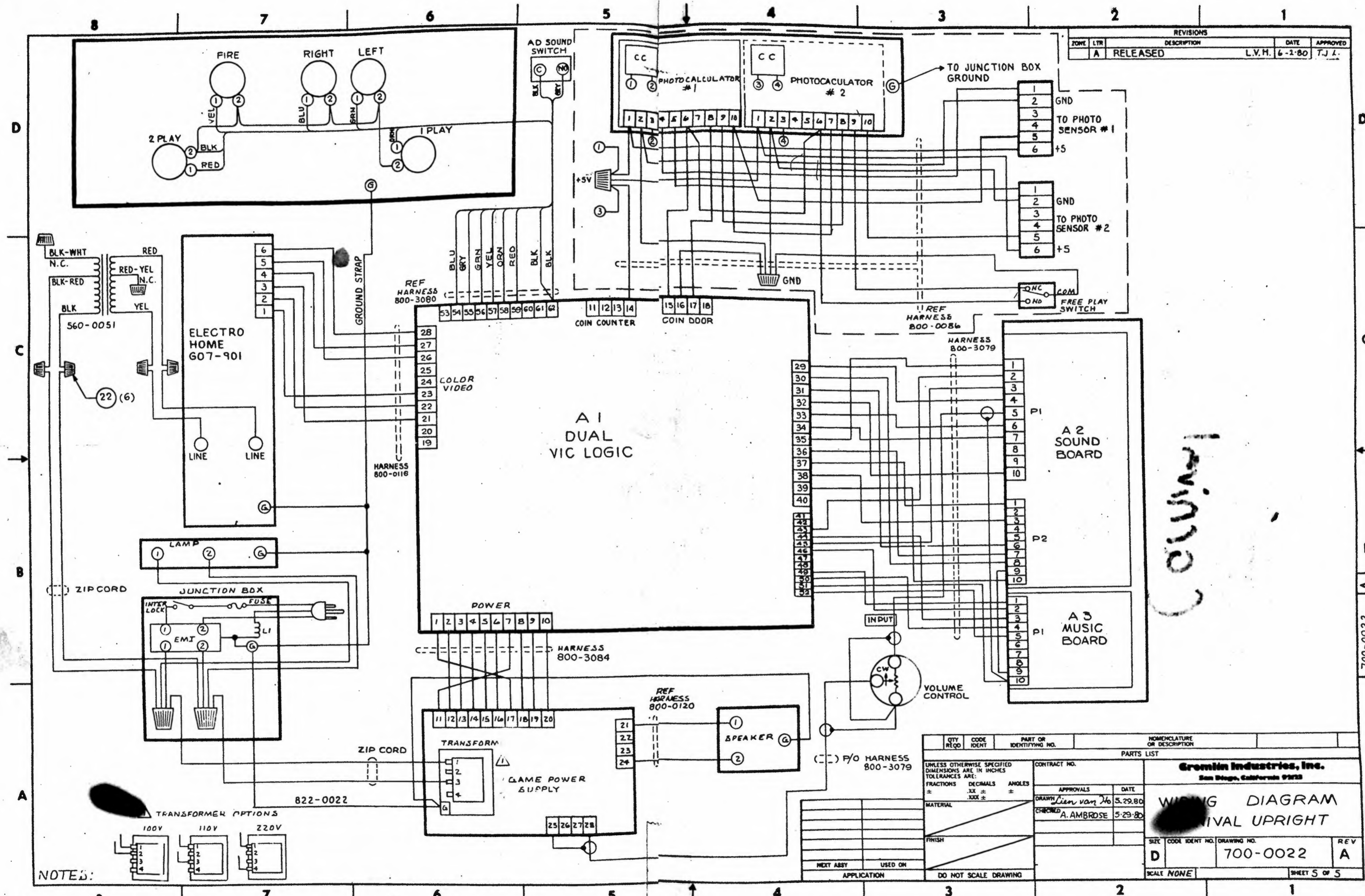


REVISIONS				
ZONE	LTR	DESCRIPTION	DATE	APPROVED
A	RELEASED		L.V.H. 6-2-80	T.J.L.



Column

700-0022

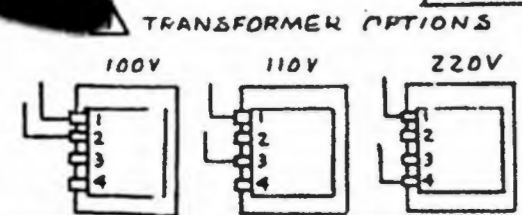
QTY REQD	CODE IDENT	PART OR IDENTIFYING NO.	NOMENCLATURE OR DESCRIPTION
PARTS LIST			
UNLESS OTHERWISE SPECIFIED DIMENSIONS ARE IN INCHES TOLERANCES ARE:		CONTRACT NO.	
FRACTIONS	DECIMALS	ANGLES	
±	.XX ±	±	
±	.XXX ±		
MATERIAL		APPROVALS	
FINISH		DATE	
NEXT ASSEMBLY USED ON		DRAWN <i>Lien van Ho</i> 5-29-80	
APPLICATION		CHECKED <i>A. AMBROSE</i> 5-29-80	
DO NOT SCALE DRAWING		SCALE NONE	

**Gromin Industries, Inc.**  
San Diego, California 92122

**WING DIAGRAM**  
**DIVAL UPRIGHT**

SPEC	CODE IDENT NO.	DRAWING NO.	REV
D		700-0022	A
SHEET 5 OF 5			

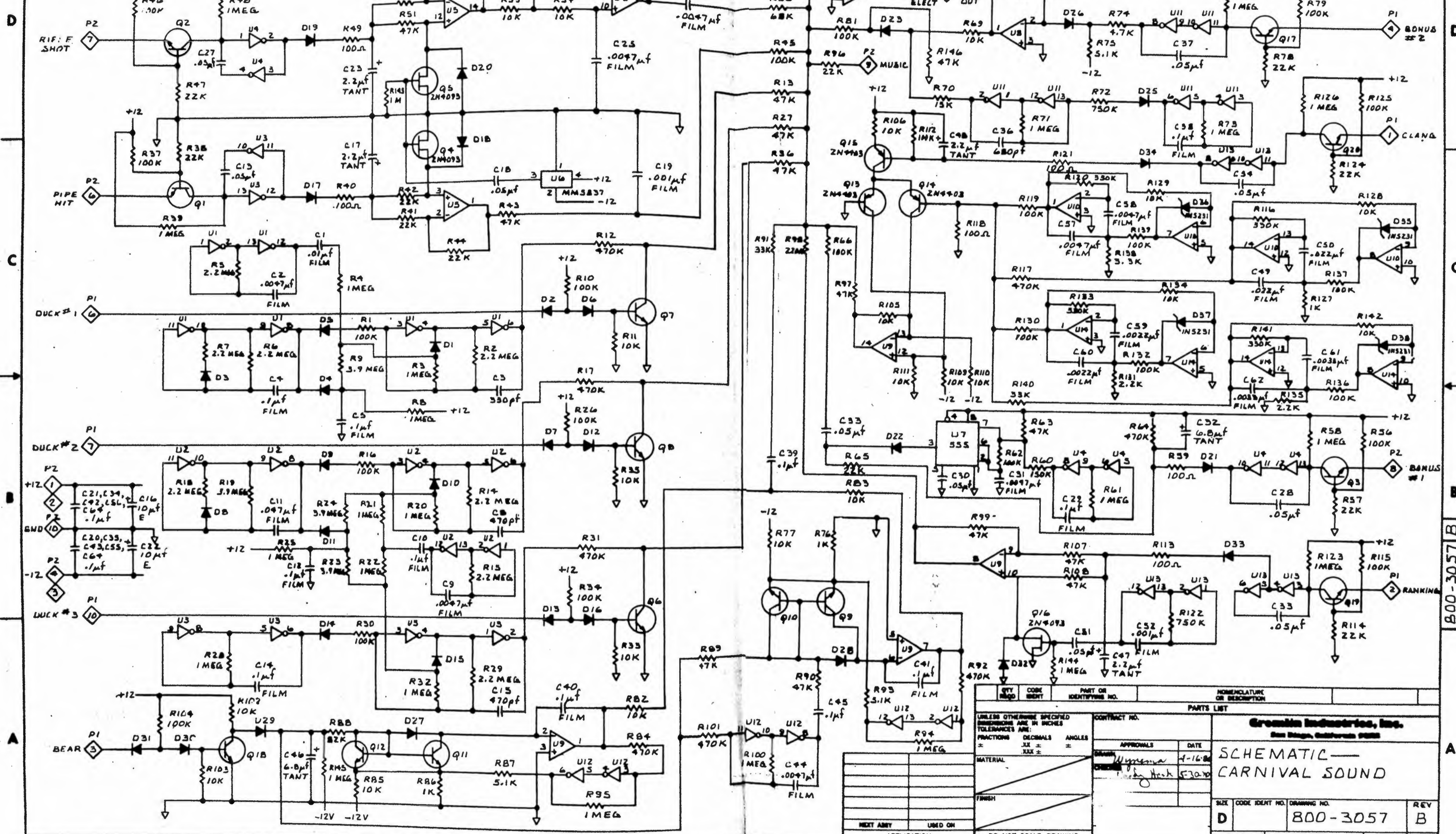
NOTES:



NOTES: UNLESS OTHERWISE SPECIFIED

1. ALL OP-AMPS ARE LM134B
2. ALL INVERTERS ARE CD1069
3. ALL TRANSISTORS ARE 2N4093
4. ALL DIODES ARE 1N914

REVISIONS				
ZONE	LTN	DESCRIPTION	DATE	APPROVED
A	RELEASED		4-20-82	WJB
B	PER ECN 4091(4)		5-10-82	WJB

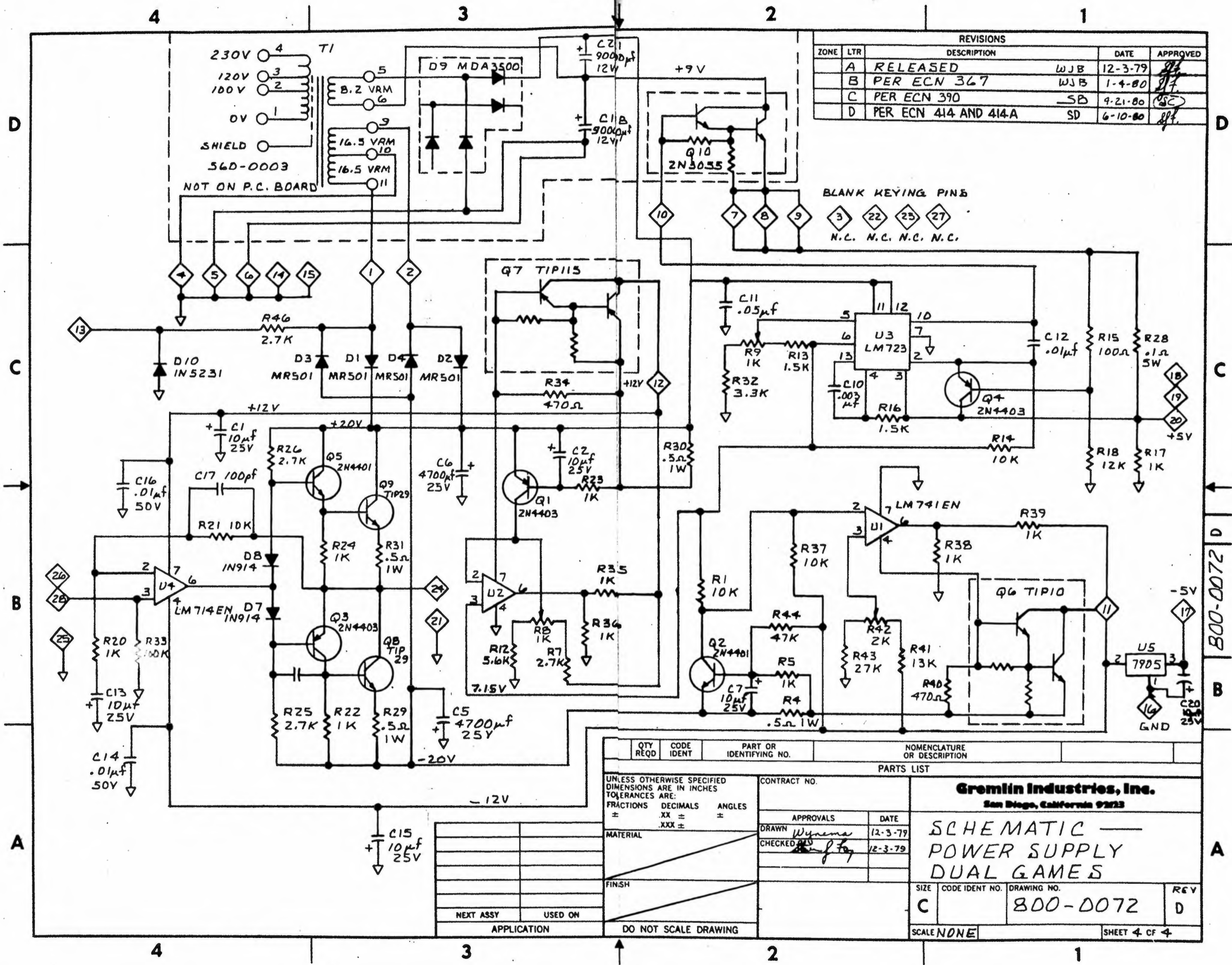


PARTS LIST		NOMENCLATURE OR DESCRIPTION	
UNLESS OTHERWISE SPECIFIED DIMENSIONS ARE IN INCHES TOLERANCES ARE: FRACTIONS DECIMALS ANGLES	CONTRACT NO.	PARTS LIST	
MATERIAL	APPROVALS	DATE	
FINISH	WJB	4-16-82	
DATE	WJB	5-10-82	
SCALE	D 800-3057 B		
SCALE NONE	SHEET 6 OF 6		

**Grovin Industries, Inc.**  
San Diego, California 92108

**SCHEMATIC — CARNIVAL SOUND**

800-3057/B

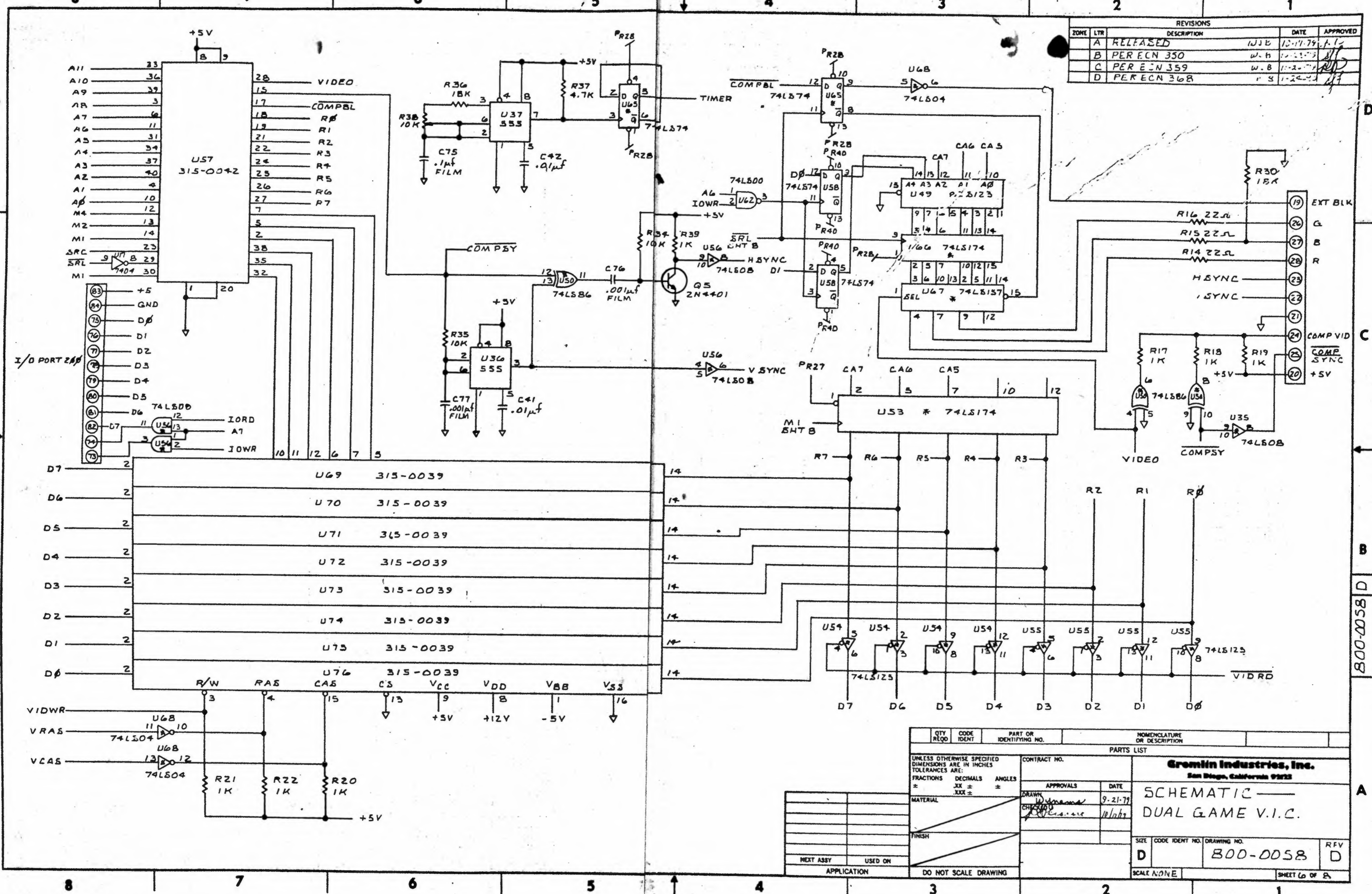


REVISIONS				
ZONE	LTR	DESCRIPTION	DATE	APPROVED
A		RELEASED	WJB 12-3-79	[Signature]
B		PER ECN 367	WJB 1-4-80	[Signature]
C		PER ECN 390	SD 9-21-80	[Signature]
D		PER ECN 414 AND 414-A	SD 6-10-80	[Signature]

QTY REQD	CODE IDENT	PART OR IDENTIFYING NO.	NOMENCLATURE OR DESCRIPTION
PARTS LIST			
UNLESS OTHERWISE SPECIFIED DIMENSIONS ARE IN INCHES TOLERANCES ARE:		CONTRACT NO.	
FRACTIONS	DECIMALS	ANGLES	
±	.XX ±	±	
	.XXX ±		
MATERIAL		APPROVALS	
FINISH		DATE	
NEXT ASSY		DRAWN Wynema 12-3-79	
USED ON		CHECKED [Signature] 12-3-79	
APPLICATION		<p style="text-align: center;"><b>Gremlin Industries, Inc.</b> San Diego, California 92123</p> <p style="text-align: center;">SCHEMATIC — POWER SUPPLY DUAL GAMES</p>	
SIZE	CODE IDENT NO.	DRAWING NO.	REV
C		800-0072	D
SCALE NONE		SHEET 4 OF 4	

800-0072

REVISIONS				
ZONE	LTR	DESCRIPTION	DATE	APPROVED
A		RELEASED	10-17-79	
B		PER ECN 350	11-21-79	
C		PER ECN 359	11-21-79	
D		PER ECN 368	1-24-80	

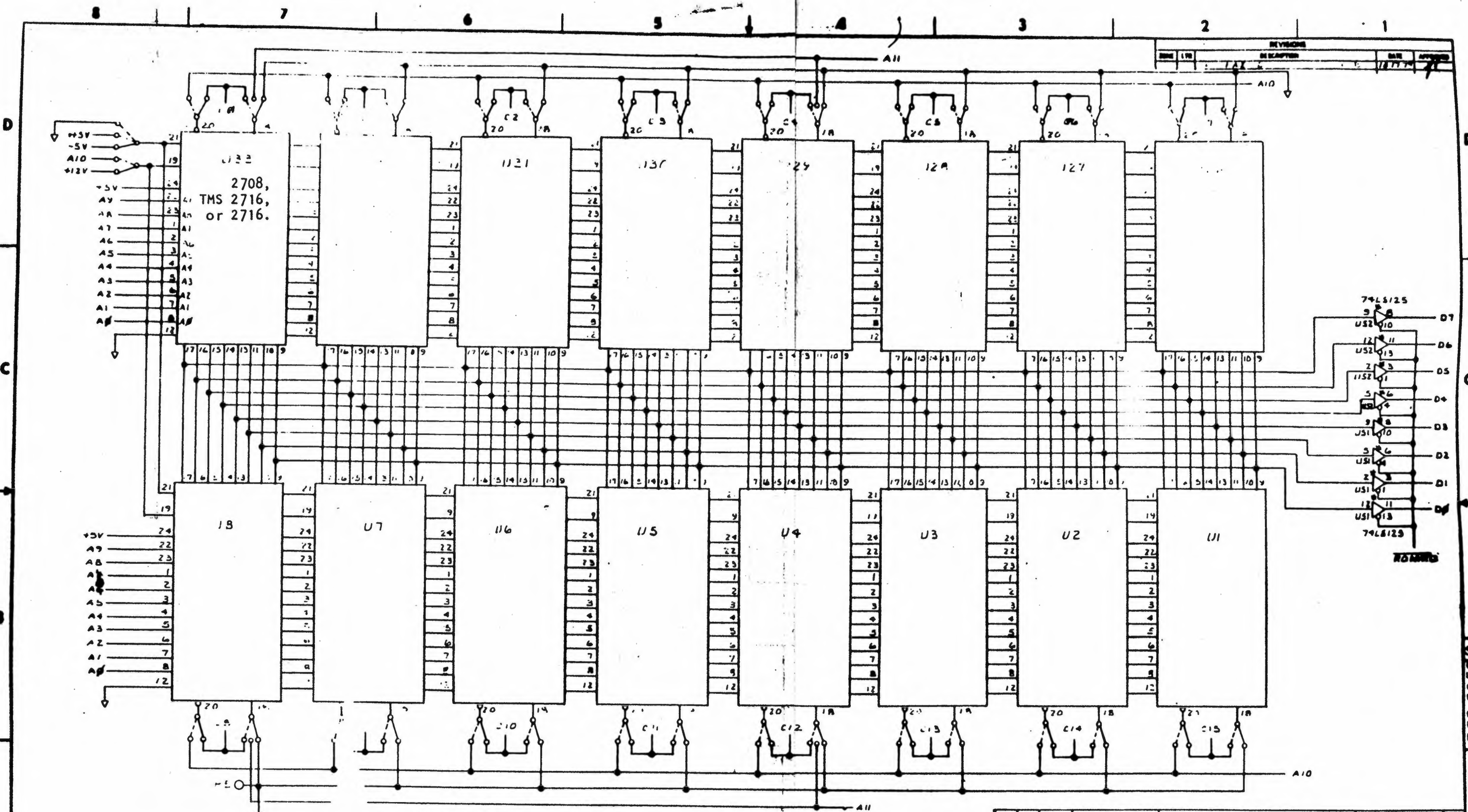


QTY REQD	CODE IDENT	PART OR IDENTIFYING NO.	NOMENCLATURE OR DESCRIPTION
PARTS LIST			
UNLESS OTHERWISE SPECIFIED DIMENSIONS ARE IN INCHES TOLERANCES ARE:			
FRACTIONS	DECIMALS	ANGLES	
±	±	±	
MATERIAL		FINISH	
NEXT ASSY		USED ON	
APPLICATION		DO NOT SCALE DRAWING	

CONTRACT NO.		Grenin Industries, Inc. San Diego, California 92123	
APPROVALS	DATE	SCHEMATIC	
<i>[Signature]</i>	9-21-79	DUAL GAME V.I.C.	
<i>[Signature]</i>	10/1/79	SIZE	CODE IDENT NO. DRAWING NO.
		D	800-0058 D
		SCALE NONE	SHEET 60 OF 82

800-0058 D



NOTES:

1. IC'S SHOWN ARE THE SAME AS SHOWN IN THE PARTS LIST.

2. IC'S SHOWN ARE THE SAME AS SHOWN IN THE PARTS LIST.

WINGS

WING	NO.	SOCKETS USED	JUMPERS (SHT B)		
A10	-5V	ALL	E1-E2, E5-E6, E8-E9, E11-E12		
A10	-5V	U13, U31, U29, U27, U8, U6, U4, U2	E1-E3, E5-E6, E8-E9, E11-E12		
A10	+5V	U13, U31, U29, U27, U8, U6, U4, U2	E1-E3, E5-E6, E8-E9, E11-E12		
CN	A10	CN	A11	U13, U29, U8, U4	E1-E3, E5-E6, E8-E9, E11-E12
A11	A10	CN	GNL	U13, U29, U8, U4	E1-E3, E5-E6, E8-E9, E11-E12

REV	DATE	BY	CHKD	APP'D	DESCRIPTION

QTY	CODE	PART OR IDENTIFYING NO.	NOMENCLATURE OR DESCRIPTION

CONTRACT NO.	
DATE	
APPROVALS	

Gremlin Industries, Inc.  
1000 S. GARDNER ST. CHICAGO, ILL. 60605

**SCHEMATIC**  
DUAL GAMI V.I.C.

SCALE NONE

800-0058

SHEET 7 OF 8

800-0058/C1