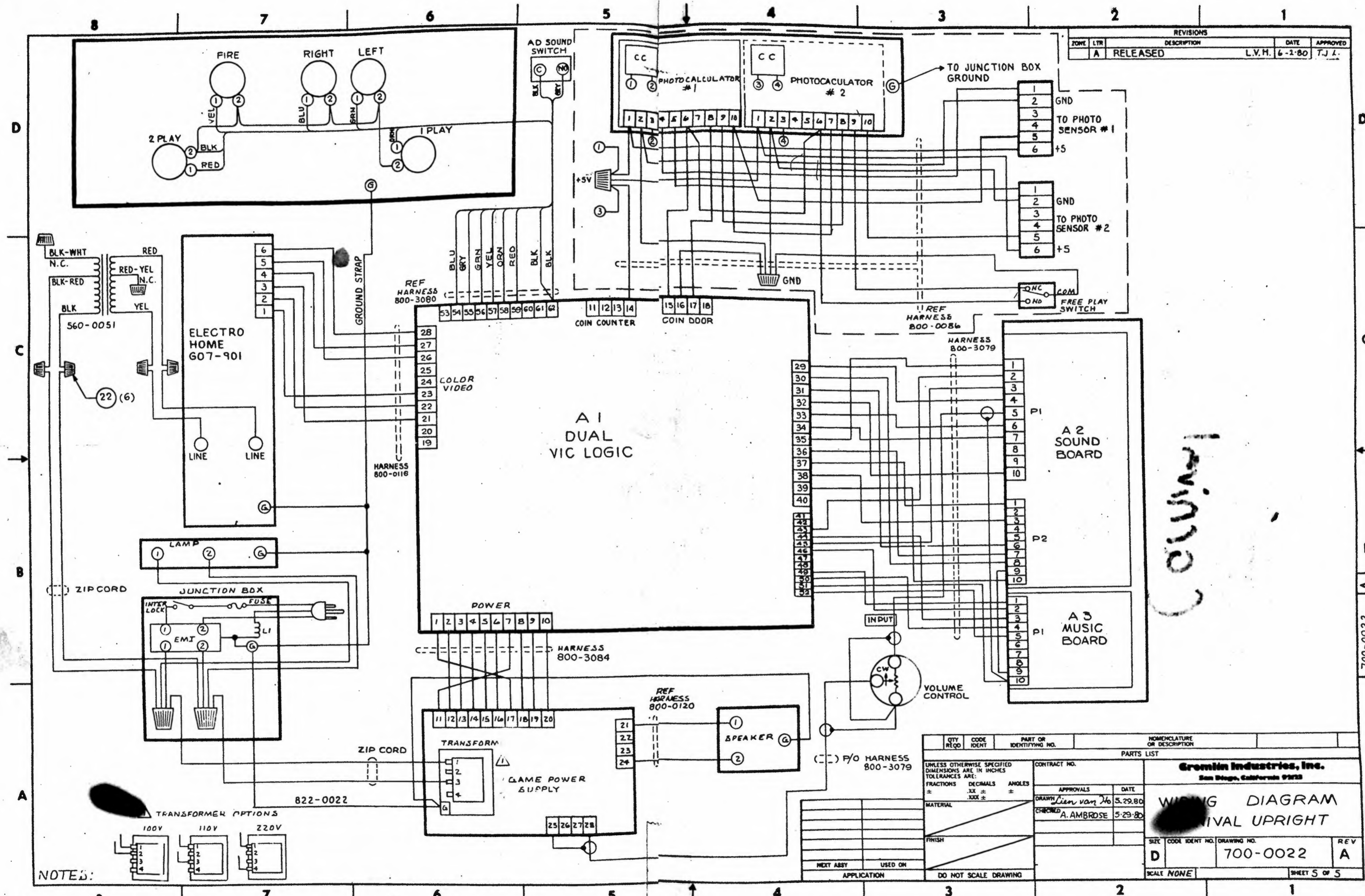


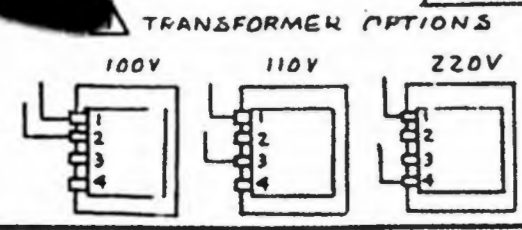
REVISIONS				
ZONE	LTR	DESCRIPTION	DATE	APPROVED
A	RELEASED		L.V.H. 6-2-80	T.J.L.



Column

700-0022

NOTES:



QTY REQD	CODE IDENT	PART OR IDENTIFYING NO.	NOMENCLATURE OR DESCRIPTION
PARTS LIST			
UNLESS OTHERWISE SPECIFIED DIMENSIONS ARE IN INCHES TOLERANCES ARE:		CONTRACT NO.	
FRACTIONS	DECIMALS	ANGLES	
±	.XX ±	±	
±	.XXX ±		
MATERIAL		APPROVALS	
FINISH		DATE	
NEXT ASSEMBLY USED ON		DRAWN <i>Lien van Ho</i> 5-29-80	
APPLICATION		CHECKED <i>A. AMBROSE</i> 5-29-80	
DO NOT SCALE DRAWING		SCALE NONE	

**Gromin Industries, Inc.**  
San Diego, California 92122

**WING DIAGRAM**  
**DUAL UPRIGHT**

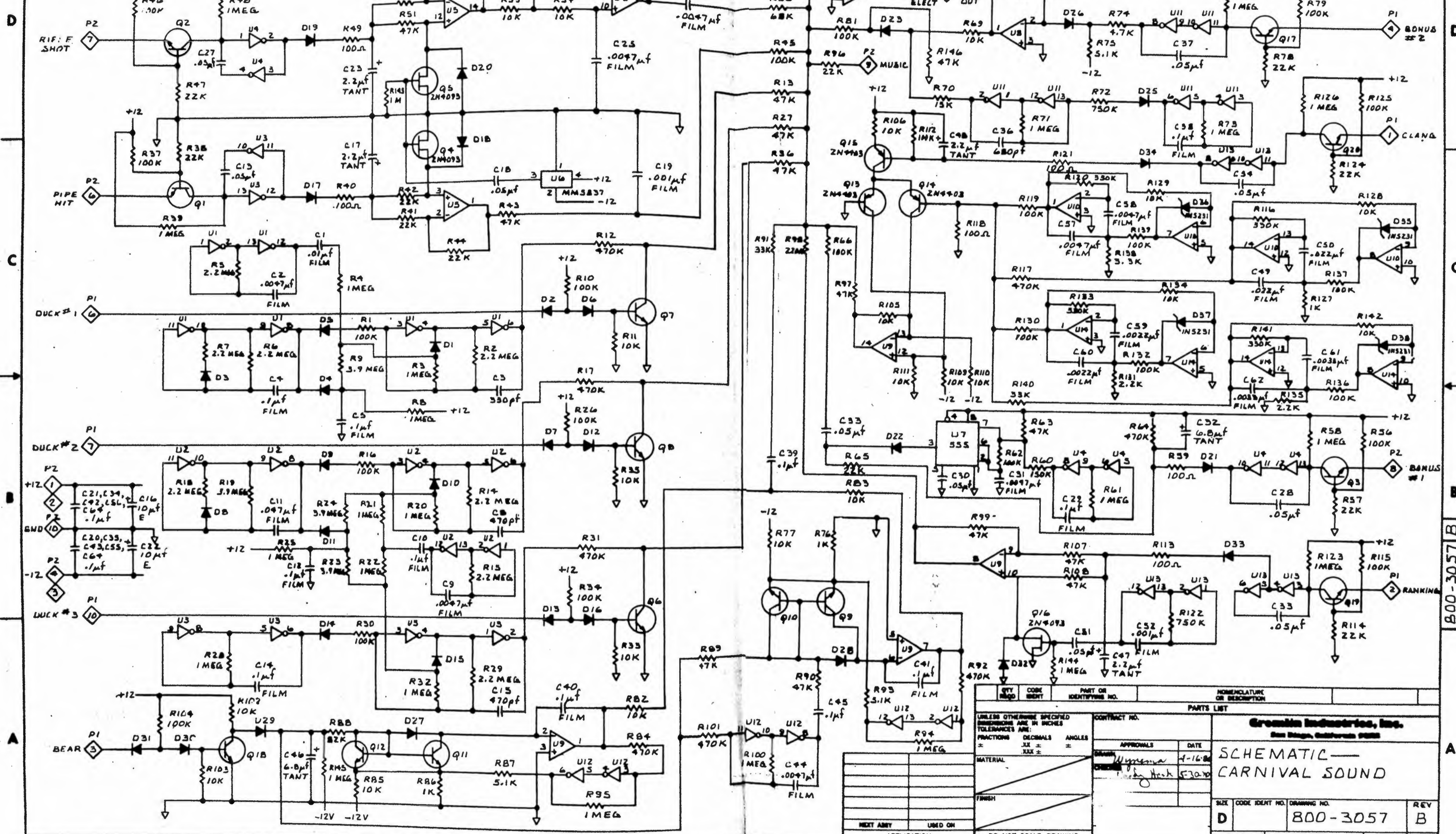
SPEC	CODE IDENT NO.	DRAWING NO.	REV
D		700-0022	A

SHEET 5 OF 5

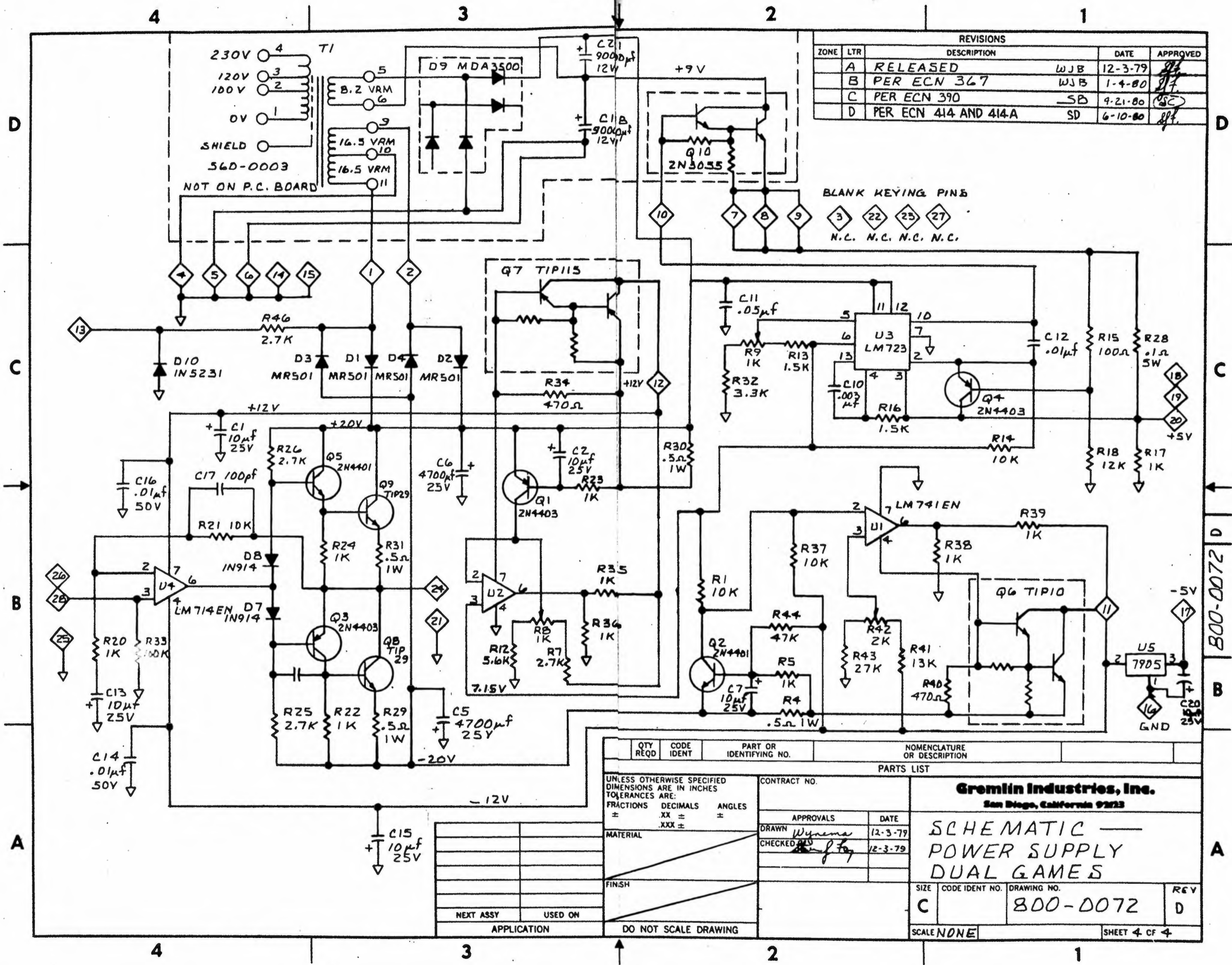
NOTES: UNLESS OTHERWISE SPECIFIED

1. ALL OP-AMPS ARE LM134B
2. ALL INVERTERS ARE CD1069
3. ALL TRANSISTORS ARE 2N4093
4. ALL DIODES ARE 1N914

REVISIONS				
ZONE	LTN	DESCRIPTION	DATE	APPROVED
A	RELEASED		4-20-82	WJB
B	PER ECN 4091(4)		5-10-82	WJB



PARTS LIST		Growth Industries, Inc.	
QTY	CODE IDENT	PART OR IDENTIFYING NO.	NOMENCLATURE OR DESCRIPTION
UNLESS OTHERWISE SPECIFIED DIMENSIONS ARE IN INCHES TOLERANCES ARE: FRACTIONS DECIMALS ANGLES .XX ± .XX ± .XX ±			
MATERIAL		CONTRACT NO.	APPROVALS DATE
FINISH		W. J. B.	4-16-82
NEXT ARMY USED ON		Checked	W. J. B.
APPLICATION		SCHEMATIC — CARNIVAL SOUND	
DO NOT SCALE DRAWING		SIZE	CODE IDENT NO. DRAWING NO. REV
		D	800-3057 B
		SCALE	NONE
		SHEET 6 OF 6	

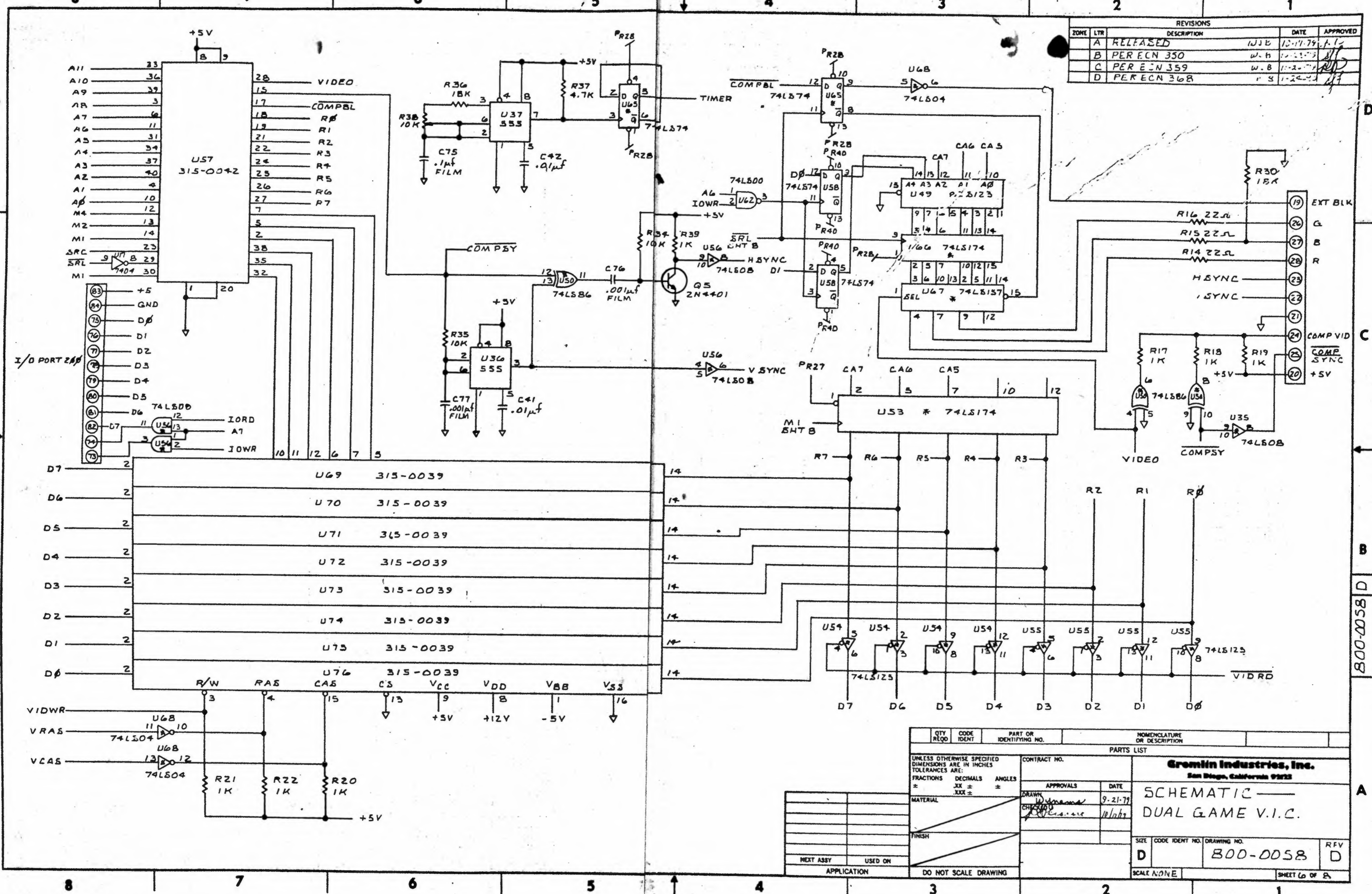


REVISIONS				
ZONE	LTR	DESCRIPTION	DATE	APPROVED
A		RELEASED	WJB 12-3-79	[Signature]
B		PER ECN 367	WJB 1-4-80	[Signature]
C		PER ECN 390	SD 9-21-80	[Signature]
D		PER ECN 414 AND 414-A	SD 6-10-80	[Signature]

QTY REQD	CODE IDENT	PART OR IDENTIFYING NO.	NOMENCLATURE OR DESCRIPTION
PARTS LIST			
UNLESS OTHERWISE SPECIFIED DIMENSIONS ARE IN INCHES TOLERANCES ARE:		CONTRACT NO.	
FRACTIONS	DECIMALS	ANGLES	
±	.XX ±	±	
	.XXX ±		
MATERIAL		APPROVALS	
FINISH		DATE	
NEXT ASSY		DRAWN Wynema 12-3-79	
USED ON		CHECKED [Signature] 12-3-79	
APPLICATION		<p style="text-align: center;"><b>Gremlin Industries, Inc.</b> San Diego, California 92123</p> <p style="text-align: center;">SCHEMATIC — POWER SUPPLY DUAL GAMES</p>	
SIZE C	CODE IDENT NO.	DRAWING NO. 800-0072	REV D
SCALE NONE		SHEET 4 OF 4	

800-0072

REVISIONS				
ZONE	LTR	DESCRIPTION	DATE	APPROVED
A		RELEASED	10-17-79	
B		PER ECN 350	11-21-79	
C		PER ECN 359	11-21-79	
D		PER ECN 368	1-24-80	



QTY REQD	CODE IDENT	PART OR IDENTIFYING NO.	NOMENCLATURE OR DESCRIPTION
PARTS LIST			
UNLESS OTHERWISE SPECIFIED DIMENSIONS ARE IN INCHES TOLERANCES ARE:			
FRACTIONS	DECIMALS	ANGLES	
±	±	±	
MATERIAL		FINISH	
NEXT ASSY		USED ON	
APPLICATION		DO NOT SCALE DRAWING	

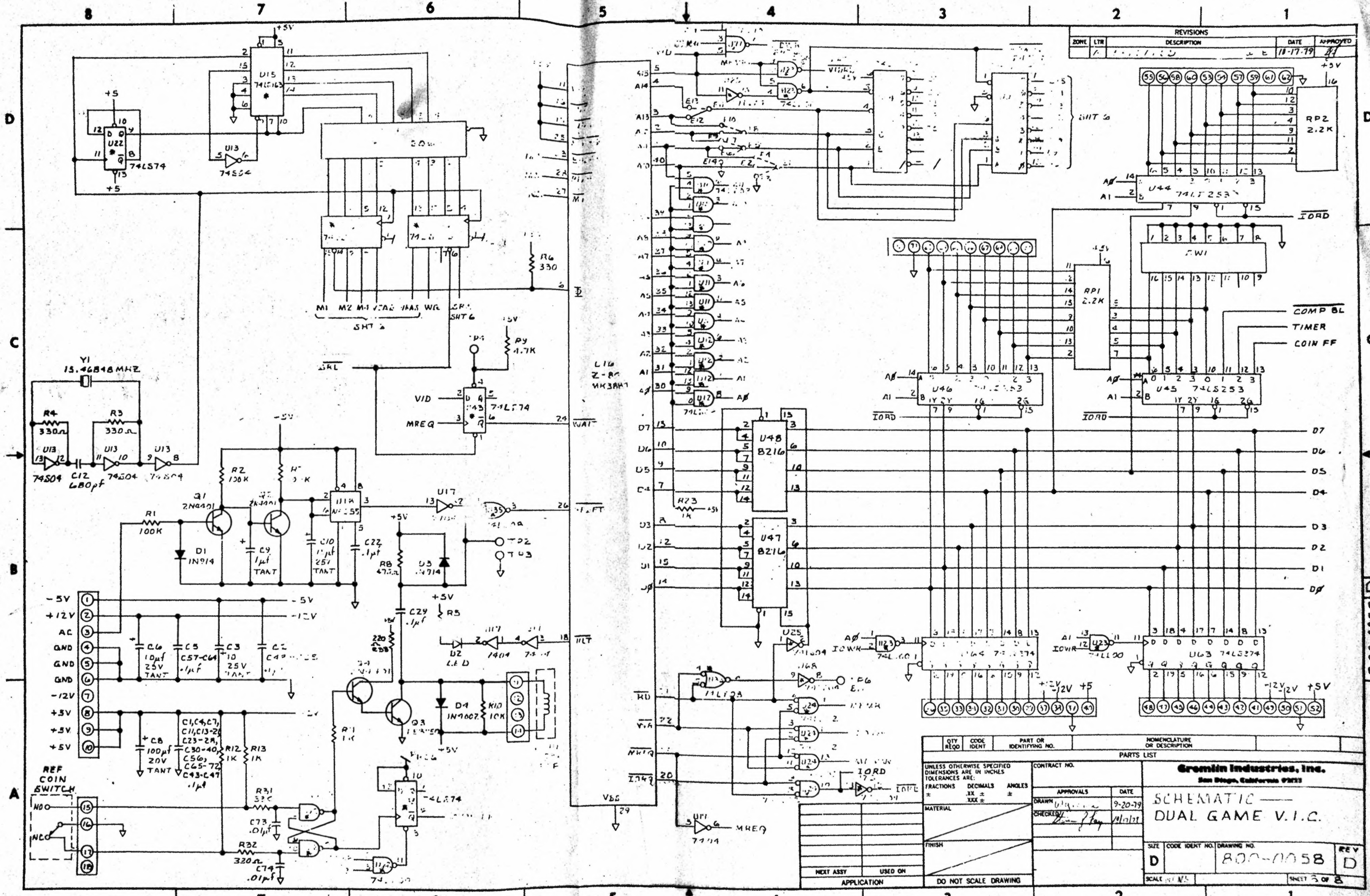
  

CONTRACT NO.		Grenin Industries, Inc. San Diego, California 92123	
APPROVALS	DATE	SCHEMATIC	
<i>[Signature]</i>	9-21-79	DUAL GAME V.I.C.	
<i>[Signature]</i>	10/1/79	SIZE	CODE IDENT NO. DRAWING NO.
		D	800-0058 D
		SCALE NONE	SHEET 60 OF 82

800-0058 D



REVISIONS				
ZONE	LTR	DESCRIPTION	DATE	APPROVED
1			11-17-79	



QTY REQD		CODE IDENT	PART OR IDENTIFYING NO.	NOMENCLATURE OR DESCRIPTION
PARTS LIST				
UNLESS OTHERWISE SPECIFIED DIMENSIONS ARE IN INCHES TOLERANCES ARE: FRACTIONS DECIMALS ANGLES * .XX ± * * * * * MATERIAL FINISH				
CONTRACT NO.		Gremlin Industries, Inc. San Diego, California 92121		
APPROVALS	DATE	SCHEMATIC — DUAL GAME V.I.C.		
DRAWN	9-20-79	SIZE CODE IDENT NO. DRAWING NO.		
CHECKED	W/abt	D 800-0058 D		
NEXT ASSY		USED ON		SCALE 1/8" = 1"
APPLICATION		DO NOT SCALE DRAWING		SHEET 5 OF 8

800-0058 D