

DIGITAL GAMES INC.

CHALLENGER

474

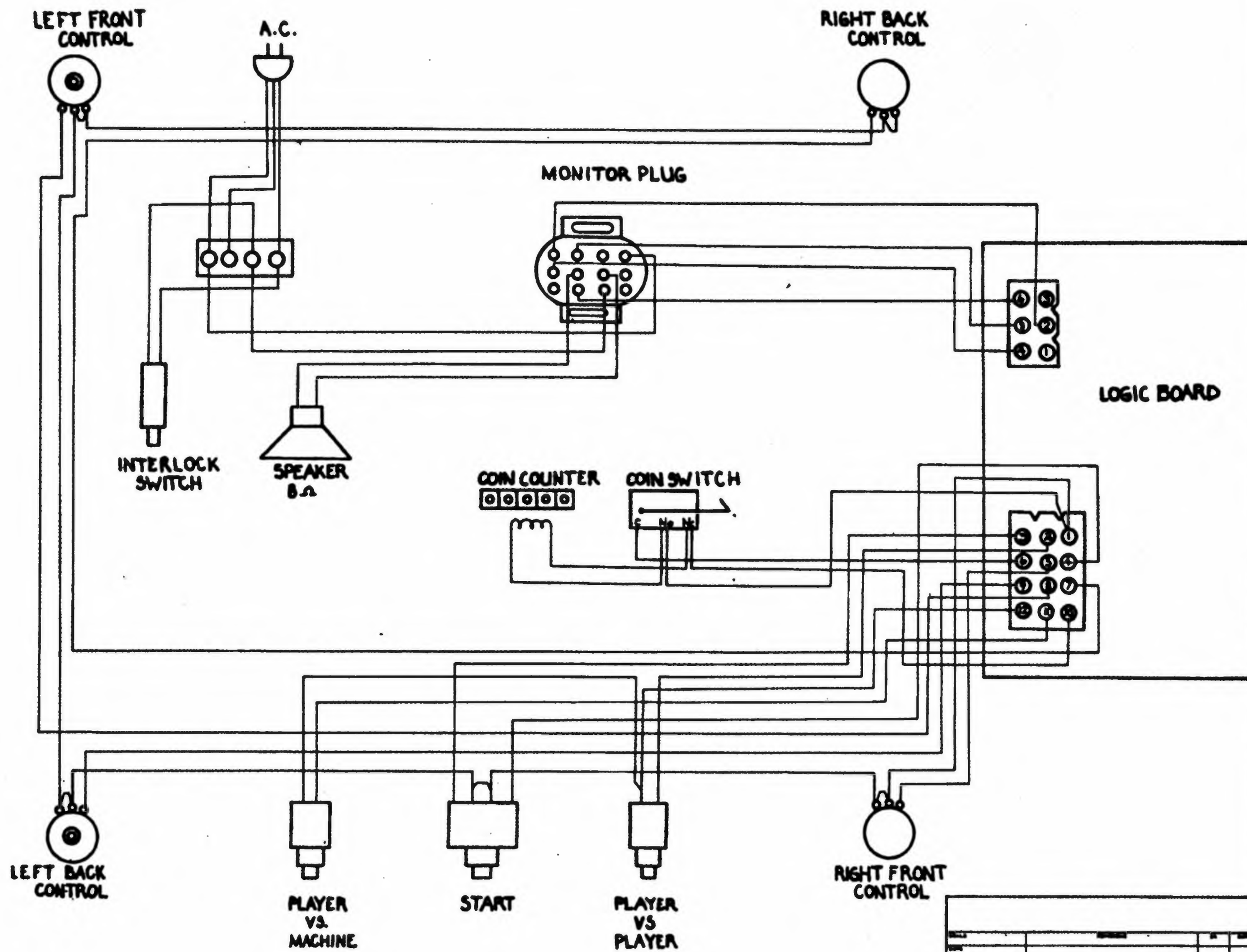


figure iii

REV	DATE	BY	CHKD
474-574 COCKTAIL CABLE HARNESS			

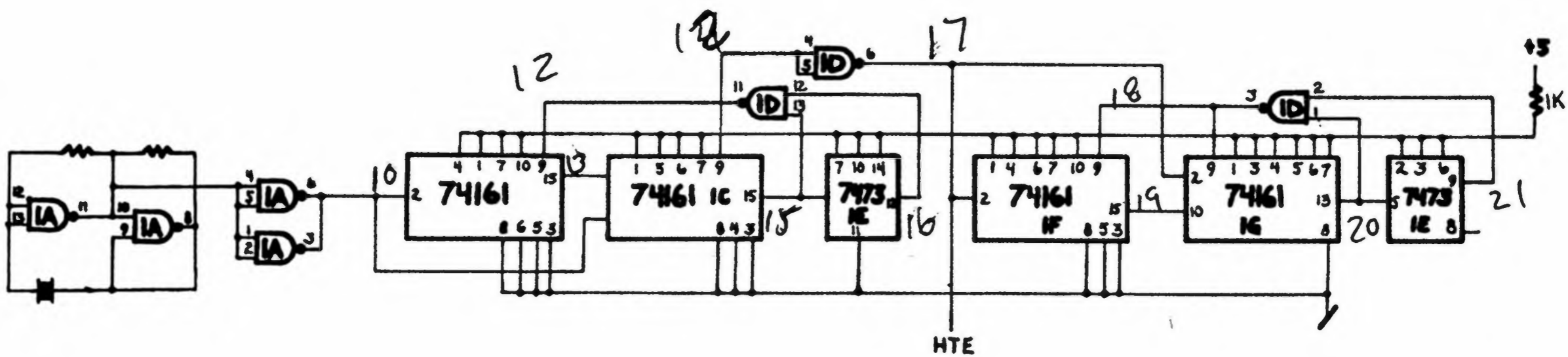


figure iv

SCALE: 1:1	APPROVED BY: <i>SA</i>	DRAWN BY MF.
DATE: 7-25-75		REVISED
MASTER OSCILLATOR		
MODEL 474		DRAWING NUMBER 474-6-30

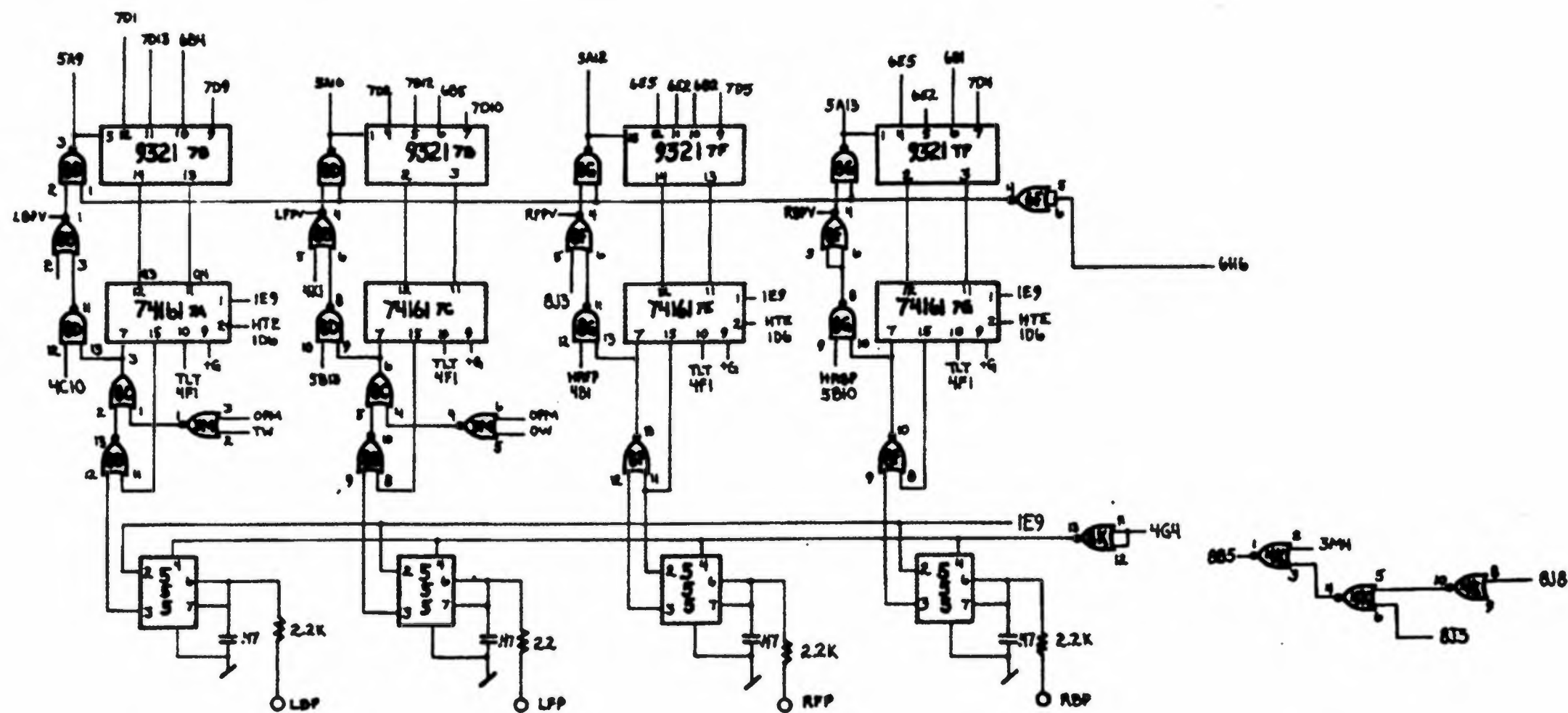


figure vi		
FORM 14	REVISED BY	DESIGNED BY PWT
DATE 7-25-73		
PADDLE GENERATOR		
MODEL 474		474-5-30

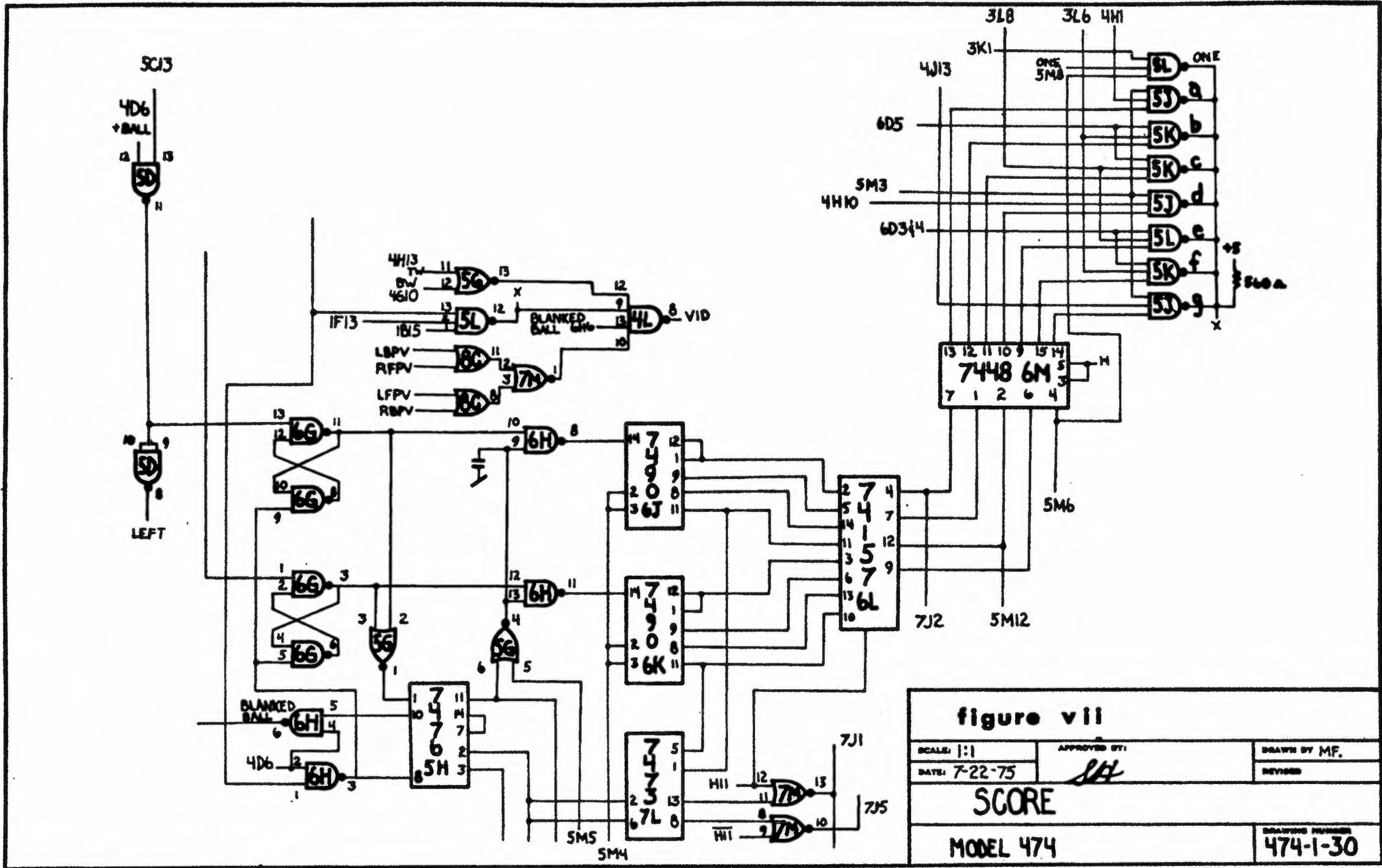


figure vii

SCALE: 1:1	APPROVED BY: <i>SA</i>	DRAWN BY MF.
DATE: 7-22-75		REVISED
SCORE		
MODEL 474		DRAWING NUMBER 474-1-30

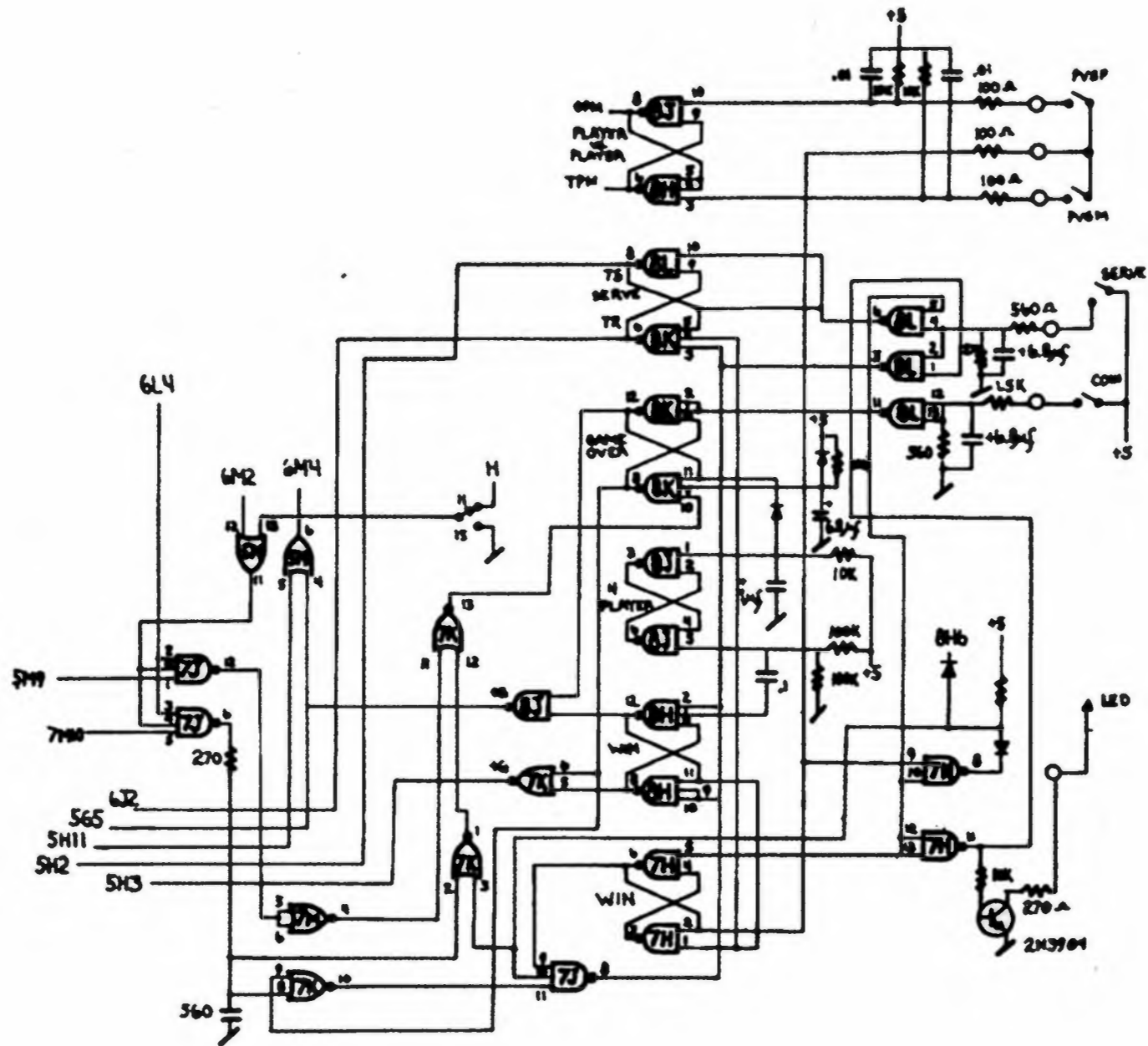


figure viii		
drawn by 7-24-75	approved by <i>SL</i>	checked by M.P.
EXECUTIVE CIRCUIT		
MODEL 474		drawing number 474-4-30

HORIZONTAL

VERTICAL

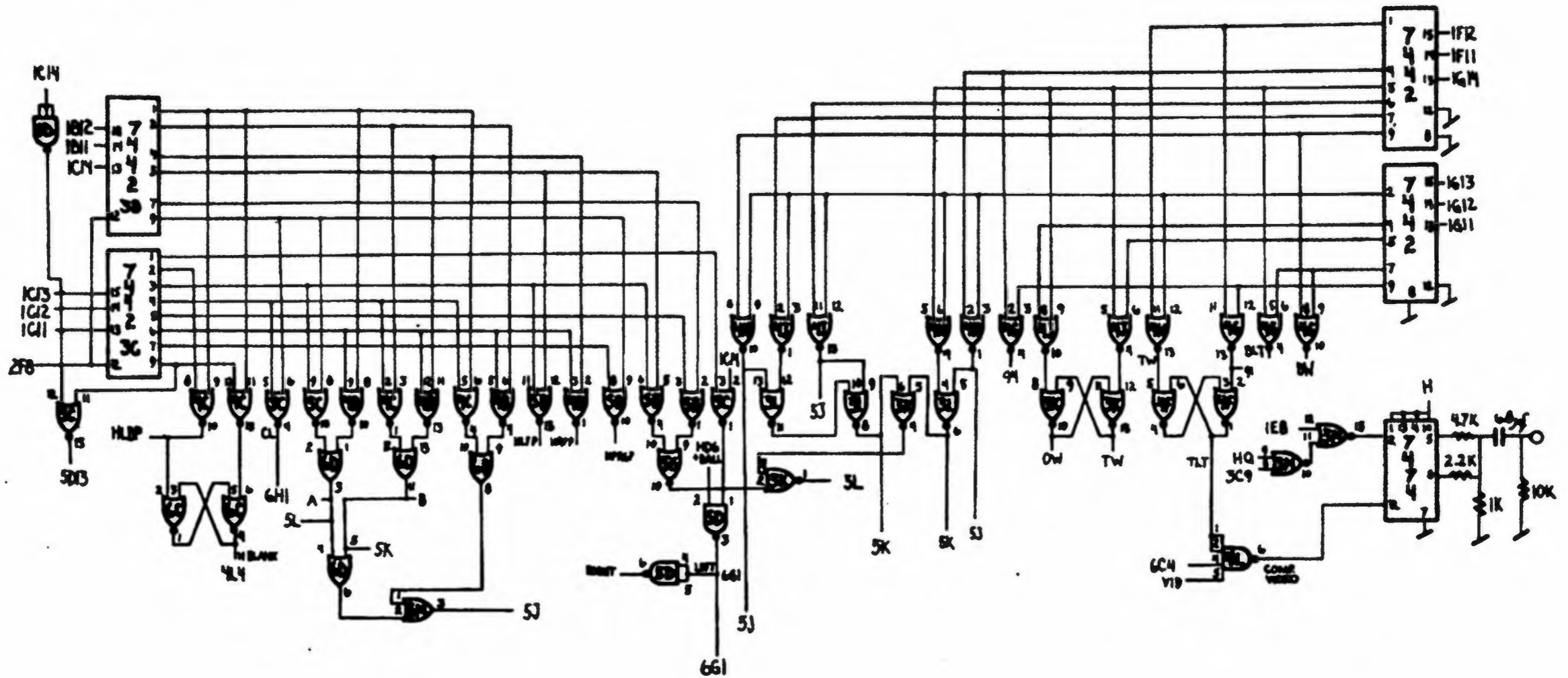


figure ix		
DATE: 7-28-75	DESIGNED BY: SAZ	DRAWN BY: RF
HORIZONTAL and VERTICAL DECODING		
MODEL 474		474-7-30

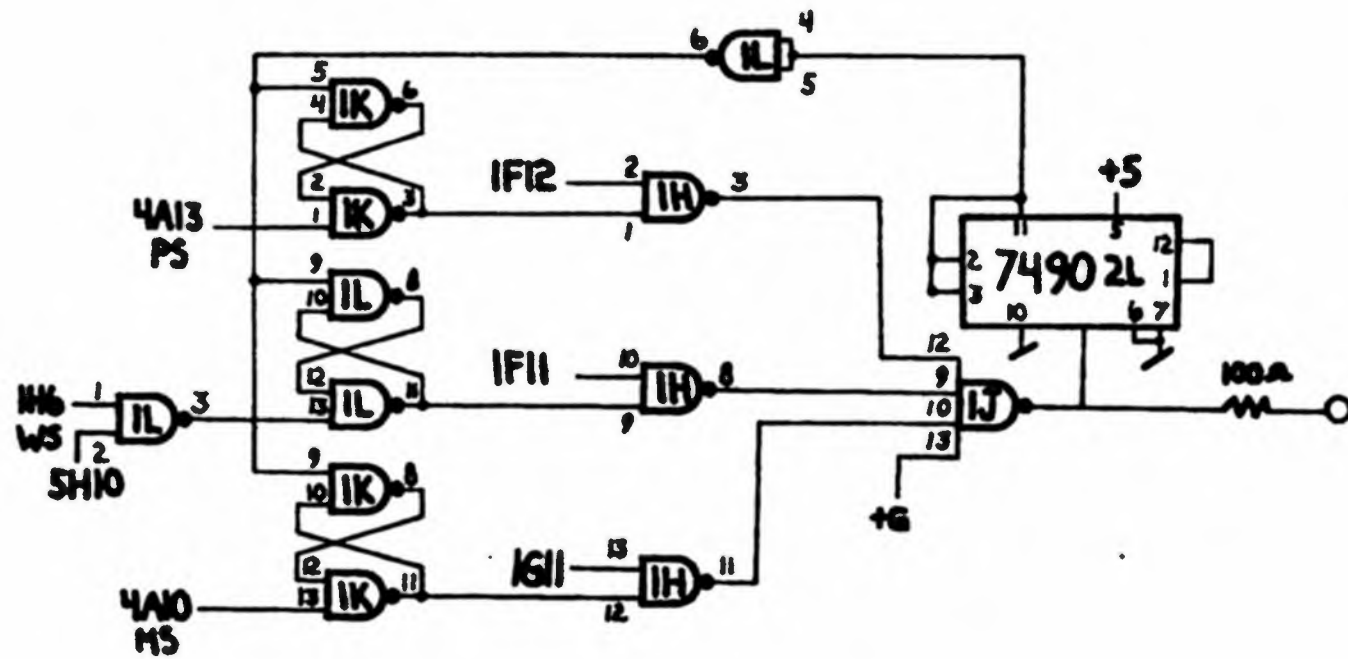


figure x

SCALE: :	APPROVED BY:	DRAWN BY MF.
DATE: 7-22-75		REVISED
AUDIO		
MODEL 474		DRAWING NUMBER 474-2-30