

Midway's

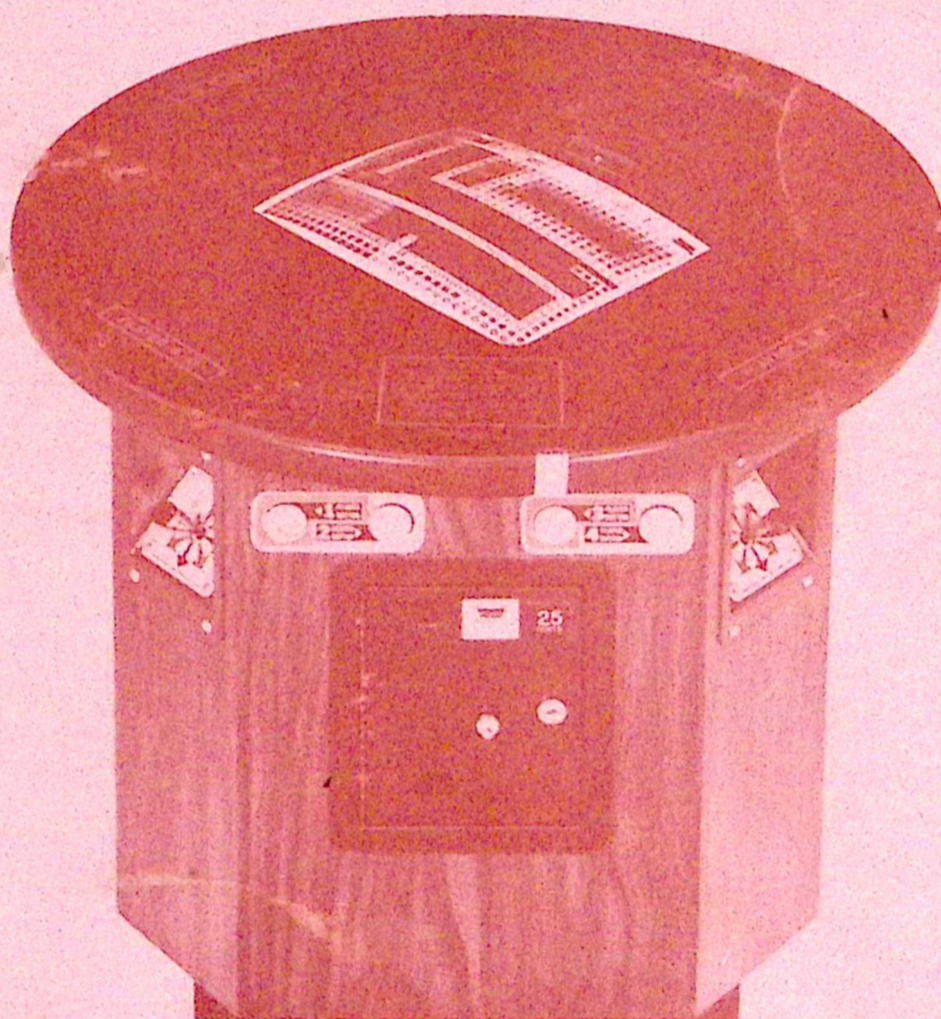
Banner

GAME NO. 615 & NO. 617
JANUARY, 1977

CHECKMATE PARTS CATALOG



NO. 615 UPRIGHT



NO. 617 COCKTAIL TABLE

MIDWAY MFG. CO.

A BALLY COMPANY

10750 WEST GRAND AVENUE
FRANKLIN PARK, ILLINOIS, 60131, U. S. A.

PHONE: (312) 451-1360

CABLE ADDRESS: MIDCO

TELEX NO.: 72-1596

TABLE OF CONTENTS

	Page No.
GENERAL INSTRUCTIONS FOR CHECKMATE	1
COIN & SWITCH ADJUSTMENTS	3
NO. 615 CHECKMATE UPRIGHT — CONTROL & PUSHBUTTON ASSEMBLIES	4—5
NO. 617 CHECKMATE COCKTAIL — CONTROL & PUSHBUTTON ASSEMBLIES	6—7
ADDITIONAL PARTS & ASSEMBLIES	8—13
MOTHER BOARD	14
POWER SUPPLY	15
GAME BOARD	16

GENERAL INSTRUCTION FOR CHECKMATE

INSTALLATION:

1. Remove shipping cleats located on the bottom of the cabinet.
2. Install 4 provided leg levelers to bottom of cabinet and level cabinet.
3. The power is controlled by a switch located on top of the cabinet (Upright Model) or on the bottom of the cabinet (Table Model). Plug into A.C. only 115 volts, 60 cycles. In low line areas (105 volts or less) a boost in the output voltage of the transformer may be obtained by removing the wire from the 115 volt tap of the transformer, and rewiring to the 105 volt position.

VOLTAGE CONTROL POTS:

Located on Power Supply Board (P.C. 0080-00904D) and is preset at the factory. These pots should not be tampered with unless the Distributor Service Department is contacted.

CRASH (100K) AND TONE (1 MEG) CONTROL POTS:

Located on Game Logic Board (P.C. 0615-00900A) and may be adjusted as desired.

COIN, NUMBER OF ROUNDS AND LANGUAGE SWITCHES:

Located on Game Logic Board (P.C. 0615-00900A) and may be adjusted as indicated on separate instructions located in back box area.

WARNING

THIS GAME MUST BE GROUNDED. FAILURE TO DO SO MAY RESULT IN DESTRUCTION TO ELECTRONIC COMPONENTS.

NOTES

This space is provided for personal notes

CHECKMATE

COINSETTING - SW. #1

OFF	-	1 COIN	1, 2, 3, OR 4 PLAYERS
ON	-	1 COIN	1 OR 2 PLAYERS
		2 COINS	3 OR 4 PLAYERS

ROUNDS

<u>SW. #3</u>	<u>SW. #4</u>	
ON	ON	2 ROUNDS
OFF	ON	3 ROUNDS
ON	OFF	4 ROUNDS
OFF	OFF	5 ROUNDS

LANGUAGE

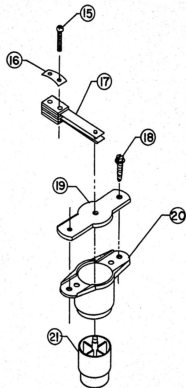
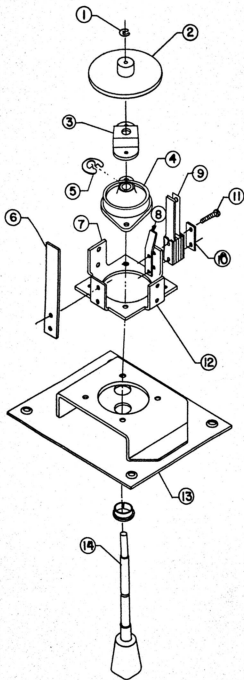
<u>SW. #6</u>	<u>SW. #7</u>	
ON	ON	ENGLISH
OFF	ON	GERMAN
ON	OFF	FRENCH
OFF	OFF	SPANISH

TESTING - SW. #8

OFF	-	TEST
ON	-	PLAY

NOTE: SWITCHES #2 AND #5 ARE NOT USED

NO. 615 CHECKMATE UPRIGHT CONTROL & PUSH BUTTON ASSYS.



MIDWAY MFG. CO.

PRICE LIST*ORDER BY PART NUMBER ONLY*

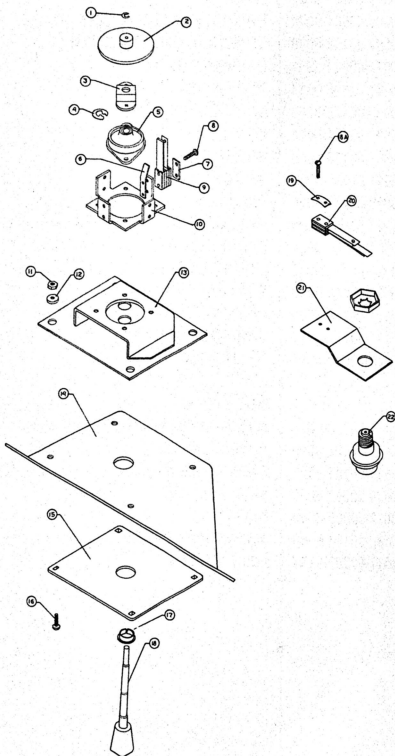
ITEM	PART NO	DESCRIPTION	PRICE
1.	0017-00100-0025	"E-RING" (1)	.20 EA.
2.	0605-00004-0000	WASHER & BUSHING ASSY. (1)	1.00 EA.
3.	0597-00106-0000	STOP BRACKET BOTTOM (1)	.60 EA.
4.	0017-0009-0385	GROMMET (1)	2.50 EA.
5.	0017-00100-0015	"E-RING" (1)	.20 EA.
6.	0090-00126-0100	SWITCH BACK UP STRIP (4)	.20 EA.
7.	0597-00104-0000	BRACKET SWITCH MOUNTING (1)	2.20 EA.
8.	0597-00113-0000	GUARD STRIP (4)	.40 EA.
9.	0597-00004-0000	SWITCH (4)	1.10 EA.
10.	0020-00202-0000	SWITCH PLATE	.20 EA.
11.	0017-00101-0525	#5-40 x 9/16 R.H. M.S. (8)	.20 EA.
12.	0597-00104-0000	BRACKET SWITCH MOUNTING (1)	2.20 EA.
13.	0615-00001-0000	MOUNTING PLATE ASSY. (1)	2.70 EA.
14.	0617-00900-0000	CONTROL HOUSING ASSY. (1)	3.10 EA.
15.	0617-00104-0000	CONTROL PLATE (1)	3.00 EA.
16.	0017-00101-0772	CARRIAGE BOLT 8/32 x 5/8 LNG (1)	.20 EA.
17.	0017-00042-0021	NYLINER #8	.20 EA.
		NOT SHOWN	
	0017-00042-0075	NYLINER #6 FITS INTO ITEM #3	.20 EA.
18.	0615-00005-0000	HANDLE ASSY.	2.40 EA.
18A	0017-00101-0525	5-40 x 9/16 R.H. M.S. (2)	.20 EA.
19.	0020-00202-0000	SWITCH PLATE	.20 EA.
20.	0617-00005-0000	SWITCH	.90 EA.
21.	0586-00107-0000	MOUNTING BRACKET	.50 EA.
22.	0017-00009-0158	PUSH BUTTON	1.60 EA.

MIDWAY MFG. CO.

PRICES SUBJECT TO CHANGE WITHOUT NOTICE

PAGE 5

NO. 617 CHECKMATE COCKTAIL CONTROL & PUSH BUTTON ASSY.



MIDWAY MFG. CO.

NO. 617 CHECKMATE COCKTAIL CONTROL & PUSH BUTTON ASSY.

PRICE LIST

ORDER BY PART NUMBER ONLY

ITEM	PART NO	DESCRIPTION	PRICE
1.	0017-00100-0025	E-RING (1)	.20 EA.
2.	0605-00004-0000	WASHER & BUSHING ASSY. (1)	1.00 EA.
3.	0597-00106-0000	STOP BRACKET - BOTTOM (1)	.60 EA.
4.	0017-00100-0015	E-RING (1)	.20 EA.
5.	0017-00009-0385	GROMMET (1)	2.50 EA.
6.	0597-00113-0000	GUARD STRIP (4)	.40 EA.
7.	0020-00202-0000	SWITCH PLATE (4)	.20 EA.
8.	0017-00101-0525	#5-40 9/16 R.H. M.S. (8)	.20 EA.
9.	0597-00004-0000	CONTROL SWITCH (4)	1.10 EA.
10.	0597-00104-0000	BRACKET, SWITCH MOUNTING (1)	2.20 EA.
11.	0017-00103-0008	#8-32 HEX NUT (4)	.20 EA.
12.	0017-00104-0022	WASHER FLAT (4)	.20 EA.
13.	0615-00000-0000	MTG. PLATE ASSY. (1)	2.70 EA.
14.	0617-00900-0000	CONTROL HOUSING (1)	3.10 EA.
15.	0617-00104-0000	CONTROL PLATE (1)	3.00 EA.
16.	0017-00101-0772	8/32 x 5/8 LONG (CARRIAGE BOLT) (4)	.20 EA.
17.	0017-00042-0021	NYLINER #8 NYLINER #6 (NOT SHOWN) FITS INTO ITEM #3 (1)	.20 EA.
18.	0615-00001-0100	HANDLE ASSY. (1)	2.40 EA.
18A	0017-00101-0525	5-40 x 9/16 R.H. M.S. (2)	.20 EA.
19.	0020-00202-0000	SWITCH PLATE (1)	.20 EA.
20.	0617-00005-0000	SWITCH (1)	.90 EA.
21.	0586-00107-0000	MOUNTING BRACKET	.50 EA.
22.	0017-00009-0158	PUSH BUTTON	1.60 EA.

MIDWAY MFG. CO.

PRICES SUBJECT TO CHANGE WITHOUT NOTICE

PAGE 7

ADDITIONAL PARTS & ASSEMBLIES

PRICE LIST

ORDER BY PART NUMBER ONLY

ITEM	PART NO	DESCRIPTION	PRICE
		CHECKMATE UPRIGHT	
	0615-00003-0000	CONTROL SHELF ASSY. (1)	164.20 EA.
	0615-00100-0000	CONTROL SHELF (1)	16.50 EA.
	0615-00002-0000	CONTROL ASSY. (4)	24.20 EA.
	0017-00101-00713	#8-32 x 1" CARRIAGE BOLT (7)	.20 EA.
	0017-00104-0027	FLAT WASHER (12)	.20 EA.
	0017-00103-0008	#8-32 HEX NUT (12)	.20 EA.
	0017-00101-0579	#6-32 x 1" CARRIAGE BOLT (7)	.20 EA.
	0017-00104-0027	FLAT WASHER (7)	.20 EA.
	0017-00103-00005	#6-32 HEX NUT (7)	.20 EA.
	0017-00042-0143	FLIPPER BUTTON HOUSING (4)	.20 EA.
	0017-00042-0144	FLIPPER BUTTON (4)	.20 EA.
	0017-00009-0366	FLIPPER BUTTON MOUNTING PLATE (4)	.20 EA.
	0017-00101-0027	#8 x 3/4" WOOD SCREW (8)	.20 EA.
	0615-00004-0000	PLAYER #1-2-3-4 "ON" SWITCH (4)	1.20 EA.
	0017-00101-0054	#5-40 x 1" PHILLIPS WOOD SCREW (8)	.20 EA.
	0020-00202-0000	PLATE (4)	.20 EA.
		CHECKMATE UPRIGHT FINAL ASSY.	
	00615-00003-0000	CONTROL SHELF ASSY.	164.20 EA.
	0017-00102-0021	1/4-20 x 1-3/4 HEX HD. BOLTS (2)	.20 EA.
	0017-00104-0014	PERPH. WASHER (2)	.20 EA.
	0615-00105-0000	MTG. BRACKET SPEAKER PANEL (2)	.40 EA.
	0017-00101-0028	8 x 3/4 HEX HD. BLK. WOOD (4)	.20 EA.
	0017-00101-0697	8 x 1-1/2 HEX HD. (1)	.20 EA.
	0615-00901-00SC	DISPLAY PLEXI 25-5/16 k19 (1)	24.70 EA.
	0615-00104	GLASS LOCK BRACKET (1)	1.60 EA.
	0017-00003-0140	23" T.V. MONITOR (1)	390.00 EA.
	0017-00101-0637	8-32 x 1" CARRIAGE BOLT (4)	.20 EA.
	0017-00103-0008	#8-32 HEX NUT (4)	.20 EA.
	0615-00102-00SC	REAR DISPLAY PANEL (1)	18.80 EA.

MIDWAY MFG. CO.

ADDITIONAL PARTS & ASSEMBLIES (Continued)

PRICE LIST

ORDER BY PART NUMBER ONLY

ITEM	PART NO	DESCRIPTION	PRICE
	0017-00101-0742	8 x 1/2 PHIL TRUSS HEAD TYPE A (2)	.20 EA.
	0017-00101-0770	8-32 x 1-3/4" LG. CARRIAGE BOLT (2)	.20 EA.
	0017-00103-0009	8-32 WING NUT (2)	.20 EA.
	0017-00104-0022	STEEL WASHER (2)	.20 EA.
	0017-00003-0187	SPEAKER (1)	10.20 EA.
	0017-00009-0393	GRILL & HDWRE. (1)	3.30 EA.
	0017-00101-0642	8-32 x 1-1/2" LONG CARR. BOLT (4)	.20 EA.
	0017-00005-0046	BACK DOOR LOCK (2)	3.40 EA.
	0017-00005-0051	LOCK PLATE (2)	.40 EA.
	0017-00005-0042	CAM (2)	.20 EA.
	0572-00103-0000	VENT GRILL (4)	1.30 EA.
	0566-00120-0000	CASH BOX	6.40 EA.
	0566-00121-0000	CASH BOX COVER	2.20 EA.
	0601-00010-0000	CASH BOX LOCK BRACKET	1.50 EA.
	0017-00003-0102	COUNTER METER	9.00 EA.
	0617-00902-0000	BEZEL T.V. TUBE (1) 19"	11.60 EA.
	0615-00904-0000	STICK ONS (TO GLASS) (1 SET)	.60 EA.
	0090-00020-0200	DOUBLE ENTRY COIN DOOR (1)	104.00 EA.
	0090-00002-0200	DOOR FRAME (1)	7.80 EA.
	0017-00103-0008	8-32 HEX NUTS (4)	.20 EA.
	0597-00012-0100	P.C. SUPPORT BRACKET ASSY. RIGHT HAND (1)	3.40 EA.
	0597-00012-0200	P.C. SUPPORT BRACKET ASSY. LEFT HAND (1)	3.40 EA.
	0567-00106-0100	ON-OFF SWITCH MTG. PLATE (1)	.60 EA.
	0080-00900-E800	MOTHER BOARD ASSY. (1)	850.00 EA.
	0567-00003-0100	P.C. MOUNTING BOARD ASSY. (1) (2 USED ON POWER SUPPLY)	1.70 EA.
	0080-00904-D800	POWER SUPPLY BOARD (1)	90.00 EA.
	0591-00017-0000	P.C. SUPPORT ASSY. (2 SHORT SUPPORTS USED ON MOTHER BOARD ASSY.) (1)	1.00 EA.
	0596-00505-0000	TRANSFORMER BOARD ASSY. (1)	47.40 EA.

MIDWAY MFG. CO.

PRICES SUBJECT TO CHANGE WITHOUT NOTICE

PAGE 9

PRICE LIST

ORDER BY PART NUMBER ONLY

ITEM	PART NO	DESCRIPTION	PRICE
	0615-00900-0800	GAME BOARD (1)	159.00 EA.
	0611-00102-0000	BACK DOOR PLATE (1)	1.00 EA.
	0017-00102-0048	LEG LEVELERS (4)	.50 EA.
	0017-00103-0026	LEG LEVELER NUTS	.20 EA.
CHECKMATE COCKTAIL-FINAL ASSY.			
	0017-00003-0165	19" MOTOROLA T.V. MONITOR (1)	390.00 EA.
	0592-00104-0100	CHASSIS MTG. BRKT. RIGHT (1)	.70 EA.
	0592-00104-0200	CHASSIS MTG. BRKT. LEFT (1)	.70 EA.
	0617-00100-0000	"Z" BRACKET (1)	1.00 EA.
	0161-00016-0000	DAG SPRING BRACKET ASSY. (1)	2.00 EA.
	3000-17153-0000	GROUND STRAP ASSY. (1)	.30 EA.
	0617-00901-0000	CARDBOARD SILK SCREENED (1)	11.60 EA.
	0617-00908- ⁰¹⁰⁰ ₀₂₀₀	STICK-ON LABEL (1 SET)	1.00 EA.
	0617-00905-0000	GLASS (1)	140.00 EA.
	0617-00004-0000	SLUG SUB ASSY. (4)	1.00 EA.
	0017-00104-0003	5/8 x 3/16 x 1/16 WASHER (4)	.20 EA.
	0017-00103-0009	8-32 WING NUT (4)	.20 EA.
	0017-00031-0011	SOCKET (2)	.30 EA.
	0017-00003-0052	LAMP (2)	.40 EA.
	0017-00101-0017	#6 x 1/2 HEX HEAD S.M.S. (4)	.20 EA.
	0090-00002-0100	FRONT DOOR FRAME (1)	6.90 EA.
	0017-00103-0010	10-32 HEX NUT (4)	.20 EA.
	0090-00035-00BK	SINGLE FRONT DOOR ASSY. (1)	82.40 EA.
	0017-00101-0555	6-32 x 5/16 HEX H.D. ST. MS. (3)	.20 EA.
	0604-00106-0000	LOCK BRACKET CASH BOX (1)	.70 EA.
	0617-00101-0000	CASH BOX (1)	6.80 EA.
	0617-00102-0000	CASH BOX COVER (1)	2.00 EA.
	0017-00103-0026	LEG LEVELER NUTS (4)	.20 EA.
	0617-00106-0000	VENT GRILL 2-1/2 (2)	.30 EA.
	0017-00101-0576	6-32 x 3/4" CARRIAGE BOLT (2)	.20 EA.
	0017-00103-0008	6-32 HEX NUT (2)	.20 EA.
	0617-00107-0000	HINGE SPRING (1)	.20 EA.
	0617-00003-0000	CONTROL HOUSING ASSY. (4)	38.00 EA.
	0017-00101-0672	10-32 x 1-1/8 C BOLT (16)	.20 EA.

MIDWAY MFG. CO.

ADDITIONAL PARTS & ASSEMBLIES (Continued)

PRICE LIST

ORDER BY PART NUMBER ONLY

ITEM	PART NO	DESCRIPTION	PRICE
	0017-00103-0010	10-32 HEX NUT (14)	.20 EA.
	0017-00104-0030	FLAT WASHER (16)	.20 EA.
	0017-00103-0012	10-32 WING NUT (2)	.20 EA.
	0617-00903-0000	ESCUTCHEON 1 & 2 PLAYER (1)	5.20 EA.
	0617-00904-0000	ESCUTCHEON 3 & 4 PLAYER (1)	5.20 EA.
	0017-00005-0046	BACK DOOR LOCK (1)	3.40 EA.
	0017-00005-0051	LOCK PLATE (1)	.40 EA.
	0017-00005-0042	CAM (1)	.20 EA.
	0604-00112-0000	COOLING MOTOR	29.20 EA.
	0604-00111-0000	VENT GRILL (1)	.40 EA.
	0604-00113-0000	SCREEN BRACE	.40 EA.
	0017-00102-0070	6-32 x 1-3/4 CARRIAGE BOLT (4)	.30 EA.
	0017-00103-0005	6-32 HEX NUT (4)	.20 EA.
	0017-00104-0002	LOCK WASHER (4)	.20 EA.
	0017-00104-0027	FLAT WASHER (2)	.20 EA.
	0617-00906-0000	DEFLECTOR (1)	.70 EA.
	0017-00003-0188	SPEAKER (1)	11.40 EA.
	0569-0001-0000	SPEAKER BEZEL ASSY. (1)	2.20 EA.
	0549-00128-0000	SPEAKER GRILL (1)	1.20 EA.
	0017-00041-0576	GASKET (1)	.20 EA.
	0017-00103-0005	6-32 HEX NUT (1)	.20 EA.
	0567-00003-0100	P.C. BOARD MTG. ASSY. 12" (FOR POWER SUPPLY) (1)	1.80 EA.
	0567-00003-0000	P.C. BOARD MTG. ASSY. 12" (FOR POWER SUPPLY) (1)	1.80 EA.
	0591-00017-0000	P.C. SUPPORT BRACKET ASSY. 2-1/2" (FOR MOTHER BOARD) (2)	1.00 EA.
	0596-00015-0000	P.C. BRKT. ASSY. R.H. (1)	1.30 EA.
	0597-00012-0200	P.C. BRKT. ASSY. L.H. (1)	1.80 EA.
	0017-00102-0017	1/4-20 x 1-1/2 HEX HD. BOLT (MTG. TOP TO CABINET) (4)	.20 EA.
	0017-00104-0039	3/4 x 9/32 x 1/16 FLAT WASHER (4)	.20 EA.
	0617-00108-0000	RETAINER GLASS	1.10 EA.
	0017-00101-0023	#8 PH. HD. SMS (8)	.20 EA.
	0017-00003-0064	POWERCORD, 3 COND. (1)	3.30 EA.

MIDWAY MFG. CO.

PRICES SUBJECT TO CHANGE WITHOUT NOTICE

PAGE 11

PRICE LIST

ORDER BY PART NUMBER ONLY

ITEM	PART NO	DESCRIPTION	PRICE
	MT-0050A	TRANSFORMER (1)	26.00 EA.
	0720-00001-0200	FUSE BLOCK, 2 POS. ASSY. (1)	1.50 EA.
	0017-00003-0103	FUSE, LAMP, SLOW-BLOW (1)	.70 EA.
	0017-00003-0006	FUSE, AMP (1)	.20 EA.
	0031-00001-0000	TERMINAL STRIP, 4 POS. (1)	.60 EA.
	0017-00003-0102	COIN COUNTER, 6V DC (1)	9.00 EA.
	0064-025XX-XXXX	IN 4001, DIODE OR IN 4004 (1)	.30 EA.
	0017-00021-0259	HOUSING, 09-50-7061, MOLEX, 6 POS., TO GAME BRD. (5)	.20 EA.
	0017-00021-0263	HOUSING, 09-50-7111, MOLEX, 10 POS., TO GAME BRD. (1)	.60 EA.
	0017-00021-0237	TERMINAL, 2478T, MOLEX, KK156, TO GAME BRD. (29)	.20 EA.
	0017-00021-0238	KEY, 2560-1, MOLEX KK-156, TO GAME BRD. (6)	.20 EA.
	0017-0021-0023	HOUSING, 582378-9, AMP., 18 POS., TO MOTHER BRD. (1)	1.40 EA.
	0017-00021-0077	TERMINAL, 60215-9, AMP., TO MOTHER BRD. (10)	.20 EA.
	0017-00021-0187	HOUSING, 1-350246-9, AMP., 24 POS., TO POWER SUPPLY (1)	.80 EA.
	0017-00021-0108	TERMINAL, 3500-18, AMP., TO POWER SUPPLY & COINDOOR (25)	.20 EA.
	0017-00021-0130	HOUSING, 15S101-83A69, AMP., 12 POS., TO MONITOR (1)	.50 EA.
	0017-00021-0132	TERMINAL, FEMALE, AMP., TO MONITOR (5)	.20 EA.
	0017-00021-0082	HOUSING, FEMALE, 6 POS., AMP., TO COINDOOR (1)	.30 EA.
	0017-00021-0096	HOUSING, MALE, 2 POS., AMP., ON COINCOUNTER (1)	.20 EA.
	0017-00021-0097	HOUSING, MALE, 2 POS., AMP., TO COINCOUNTER (1)	.20 EA.
	0017-0021-0081	HOUSING, MALE, 6 POS., AMP., TO COINDOOR (1)	.30 EA.

MIDWAY MFG. CO.

ADDITIONAL PARTS & ASSEMBLIES (Continued)

PRICE LIST

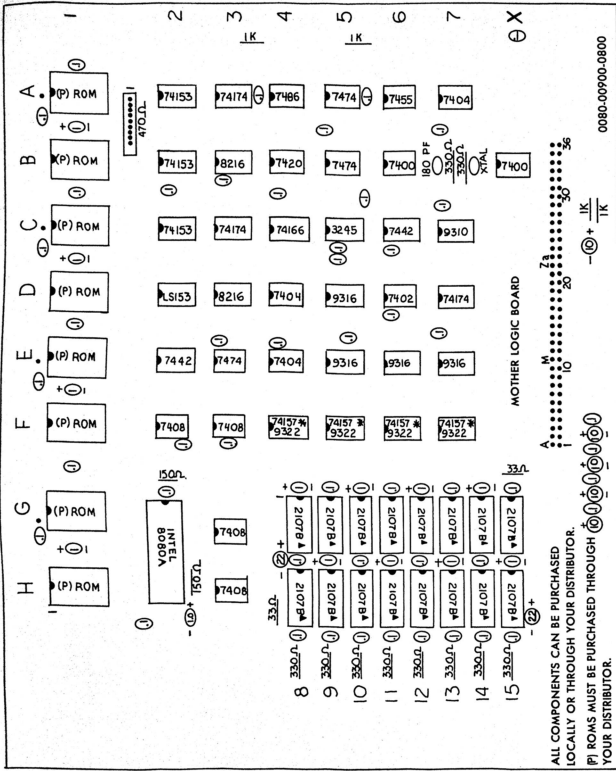
ORDER BY PART NUMBER ONLY

ITEM	PART NO	DESCRIPTION	PRICE
	0017-00005-0039 0090-00004	COINSWITCH, ON COINDOOR (2) ANTI-SLAM SWITCH ASSY., ON COINDOOR (1)	5.10 EA. 3.30 EA.
	0017-00021-0002	SOLDERLUG, ON COINDOOR, ON XFMR (2)	.20 EA.
	0597-00004	SWITCH ASSY., ON JOYSTICK (16)	1.10 EA.
	0615-00004-	SWITCH ASSY., #1, #2, #3, #4, PLAYER-SELECT (4)	1.20 EA.
	0017-00032-0029	POWER SWITCH, 250 V/1A (1)	.80 EA.

MIDWAY MFG. CO.

PRICES SUBJECT TO CHANGE WITHOUT NOTICE

PAGE 13



0080-00900-0800

MOTHER LOGIC BOARD

ALL COMPONENTS CAN BE PURCHASED
 LOCALLY OR THROUGH YOUR DISTRIBUTOR.
 (P) ROMS MUST BE PURCHASED THROUGH
 YOUR DISTRIBUTOR.

