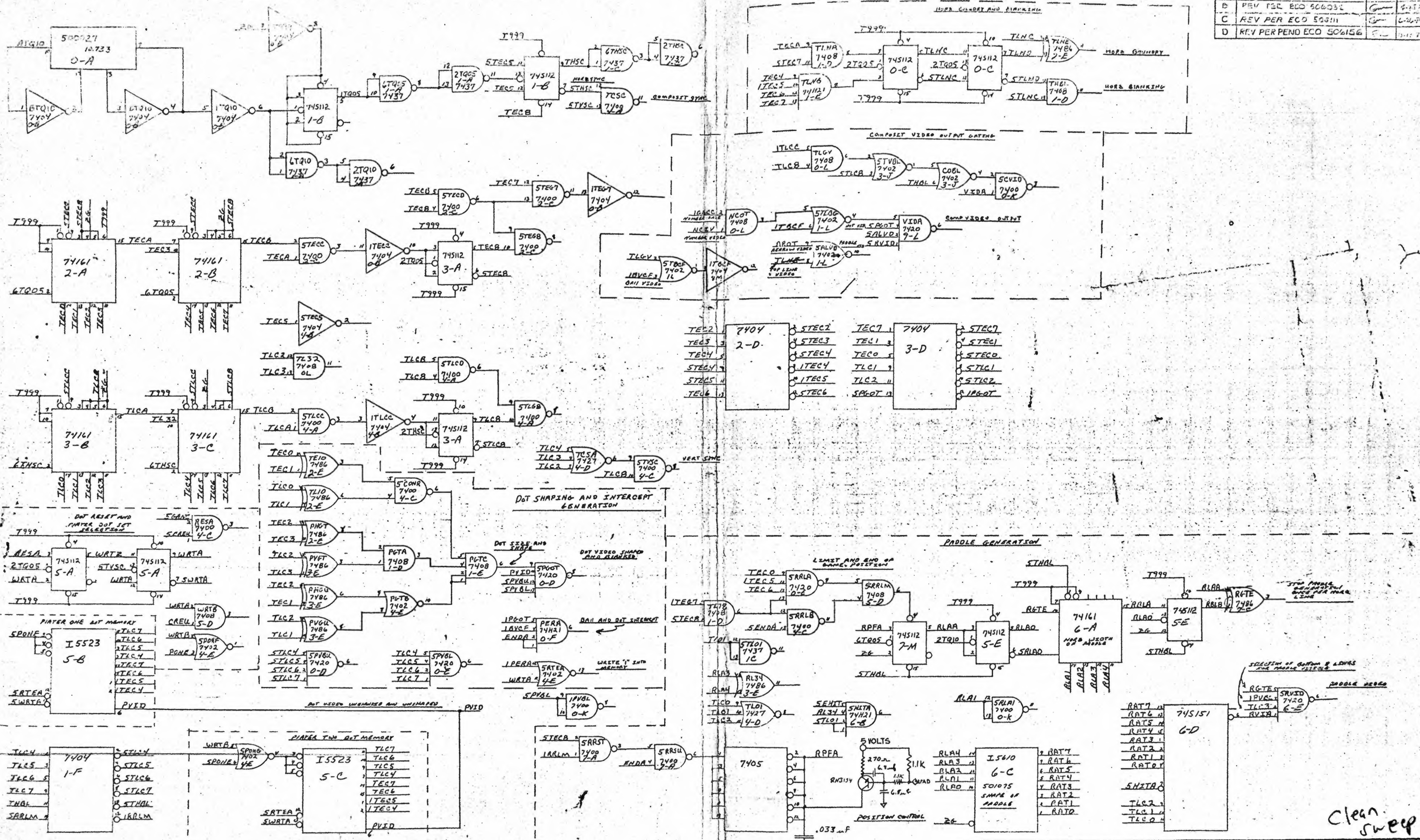
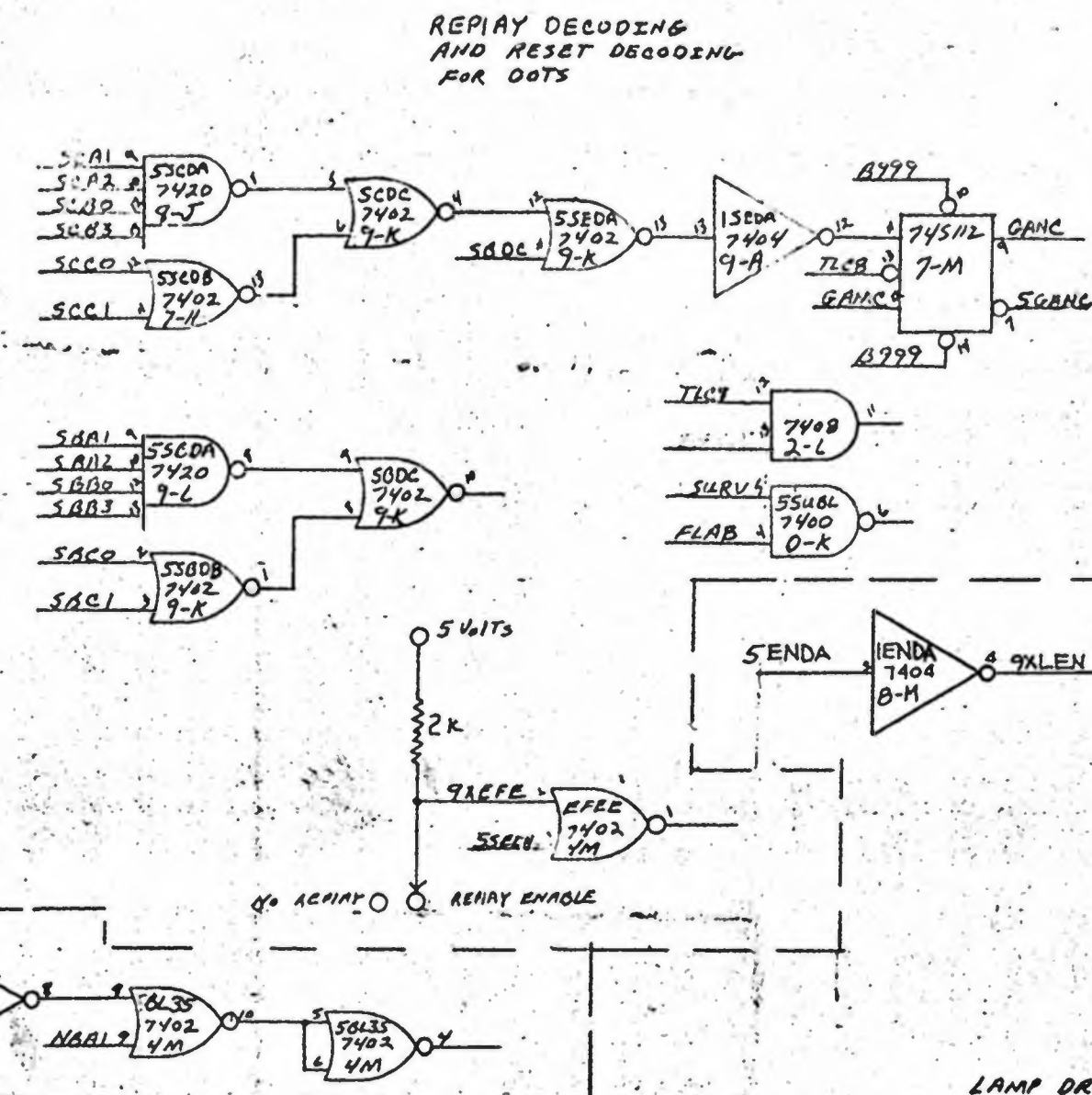
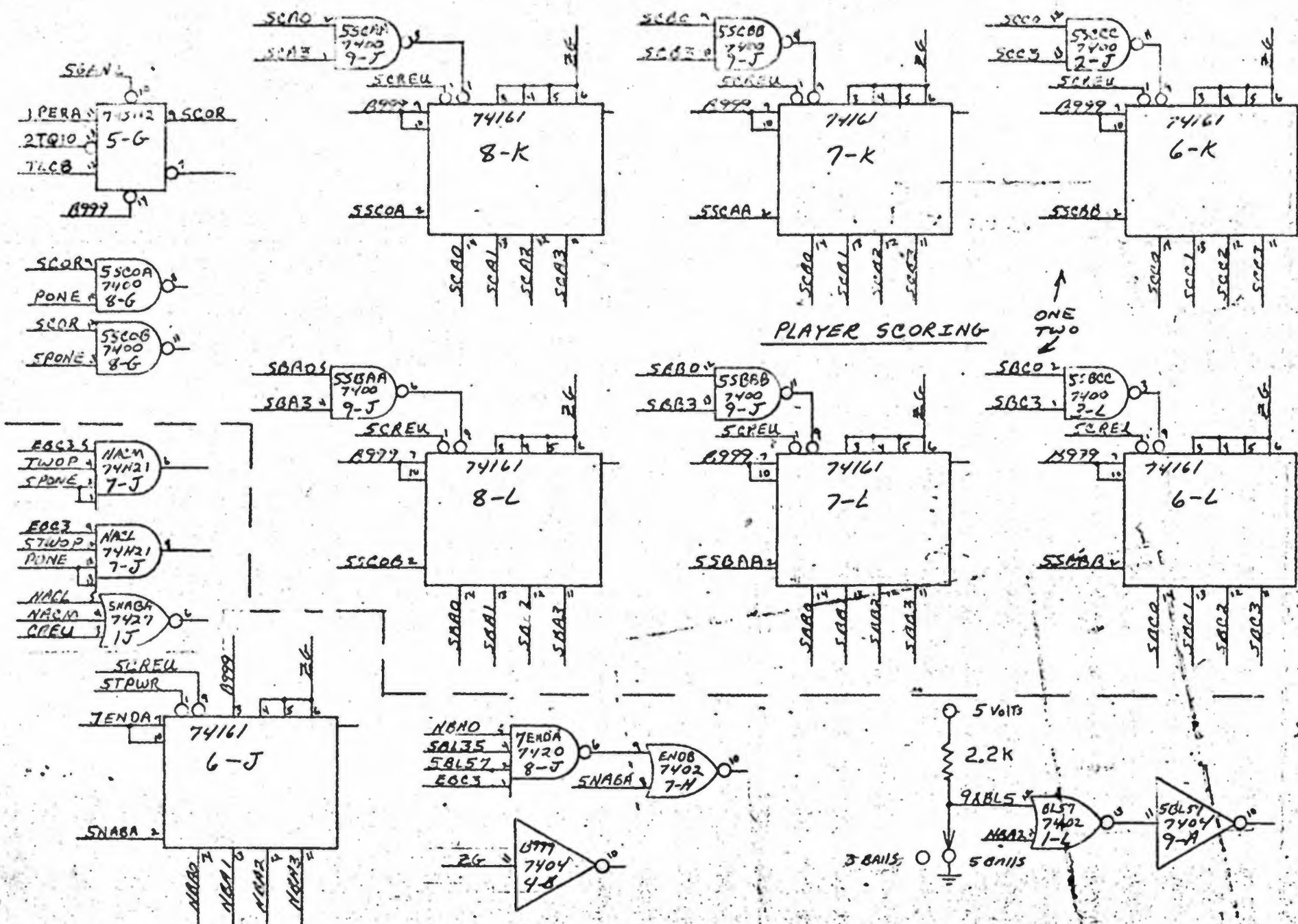


REVISIONS			
LTR	DESCRIPTION	APVCD	DATE
A	REV PER ECO 506032		6-15-74
B	REV PER ECO 525311		6-26-74
C	REV PER ECO 506156		7-11-74



SIGNATURES		DATE	TITLE: LOGIC DIAGRAM, AG-7-CL SW	
OWN	<i>Handwritten Signature</i>		RAMTEK CORPORATION	SHEET 1 OF 3
CHK	<i>Handwritten Signature</i>		SIZE: DWG NO: D ECO 60 D	
APVCD				



REVISIONS			
LTR	DESCRIPTION	APVD	DATE
A	REV PER ECD 501210	GM	
B	REV PER ECD 5016032	GM	4-1-74
C	REV PER ECD 506111	GM	6-24-74
D	REV PER PENDECO 506156	E.C.	10-19-74

