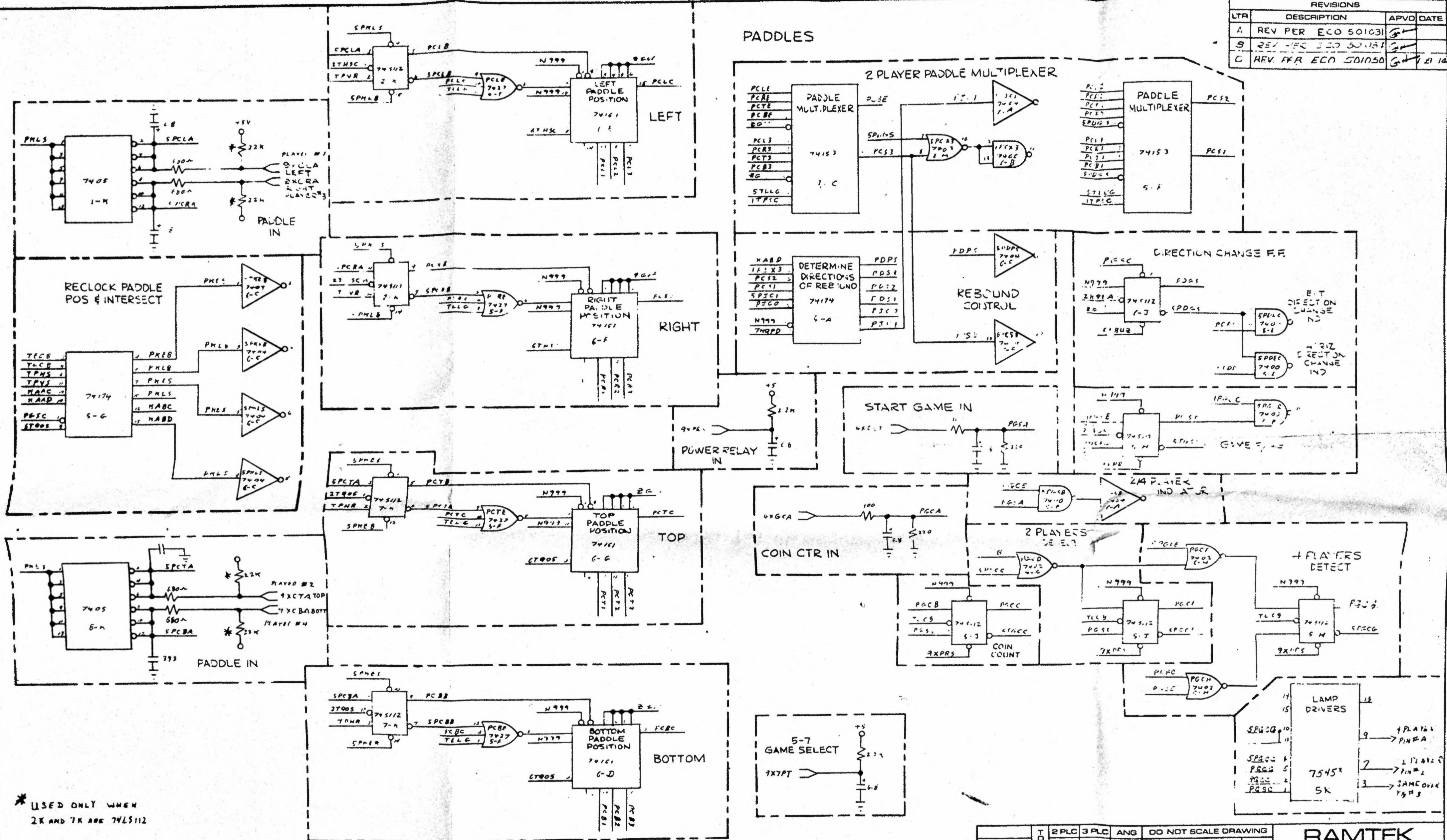


| REVISIONS | | |
|-----------|--------------------|-----------|
| LTR | DESCRIPTION | APVD DATE |
| A | REV PER ECO 501031 | |
| B | REV PER ECO 501051 | |
| C | REV PER ECO 501050 | 11/14 |



* USED ONLY WHEN
2K AND 7K ARE 74LS112

| T | 2 PLC | 3 PLC | ANG | DO NOT SCALE DRAWING |
|-----------|-------|-------|-----|----------------------|
| | | | | SIGNATURES DATE |
| | | | | 12/1/77 |
| E00396 | | | | CHK |
| 600946 | | | | ENG |
| NEXT ABBY | | | | APVD |

RAMTEK

COUNTDOWN
Page 2 of 3

SIZE SCALE: DWG NO. SHEET # OF 3 502945 C

