



CRASH 'N SCORE

Operation • Maintenance • Service Manual

(TM-048)

The technical manual for Crash 'N Score was in progress when this game went into production. The manual will be released shortly and will be available through your distributor.

In the meantime, we have enclosed copies of the most vital documentation, to assist in maintaining and servicing this game. Should you have any questions that cannot be answered by this documentation, please contact your distributor or the Atari Customer Service Department, 2175 Martin Avenue, Santa Clara, CA 95050. You may also use our toll-free telephone number: (800) 538-6892. The Customer Service Dept. is open from 7:30 am to 4:30 pm Pacific time, Monday through Friday.

Thank you for your patience.

CRASH 'N SCORE

INSTRUCTIONS FOR USING EXTENDED-PLAY CARD AND INSTRUCTION PLATE CARD

Enclosed in this game's coin box are two small cards. The extended-play card, after its blank area has been filled in with the applicable number, is placed behind the front plex's bottom edge.

The instruction plate card should be cut apart, and the proper numbers should be taped to two different areas in the silk-screened instructions. One of these areas tells players how many games per quarter will be given (either one or two). The other area tells the player how long the blinking-score period of each game will be. During this part of the game (the last seventh of the game), any player's hit will actually count as twice that flag's indicated value. Procedures for using both cards are as follows:

Instruction plate card: Find the only slide switch on the game's PCB. Its two positions are labeled 1 PLAY and 2 PLAY. Choose one of the positions to structure the game for either one or two games per quarter. [In the two-game case, the player(s) will still have to push either the ONE PLAYER START or TWO PLAYER START button to begin the second game.] Then cut out the "1" or "2" from this card and using transparent tape, attach it to the inside of the silk-screened plexiglass in the appropriate blank area.

Second, cut out the "10" from this card and attach it with transparent tape to the blank area in the phrase "Bonus score value doubles in last seconds." The period in each game during which the player's score blinks is not variable by the operator.

Free play card: If you wish to offer extended play after a certain number of points in each game, you should fill in the appropriate number of points on this card. To set the game correspondingly, find the small switch on the PCB near the end opposite the edge connector. This switch has four small white levers that can be set with their pointed ends facing either up or down.

Point value:	10	20	40	80
Lever number:	1	2	3	4

Push forward (so pointed end faces down) any of the levers, so that their respective point values add up to the desired sum. We suggest total values between 40 and 90 points. For example, to set the game for extended play after 50 points, push forward the levers #1 and 3. On this switch, any values set for 100 or more points means that no free game will be allowed.

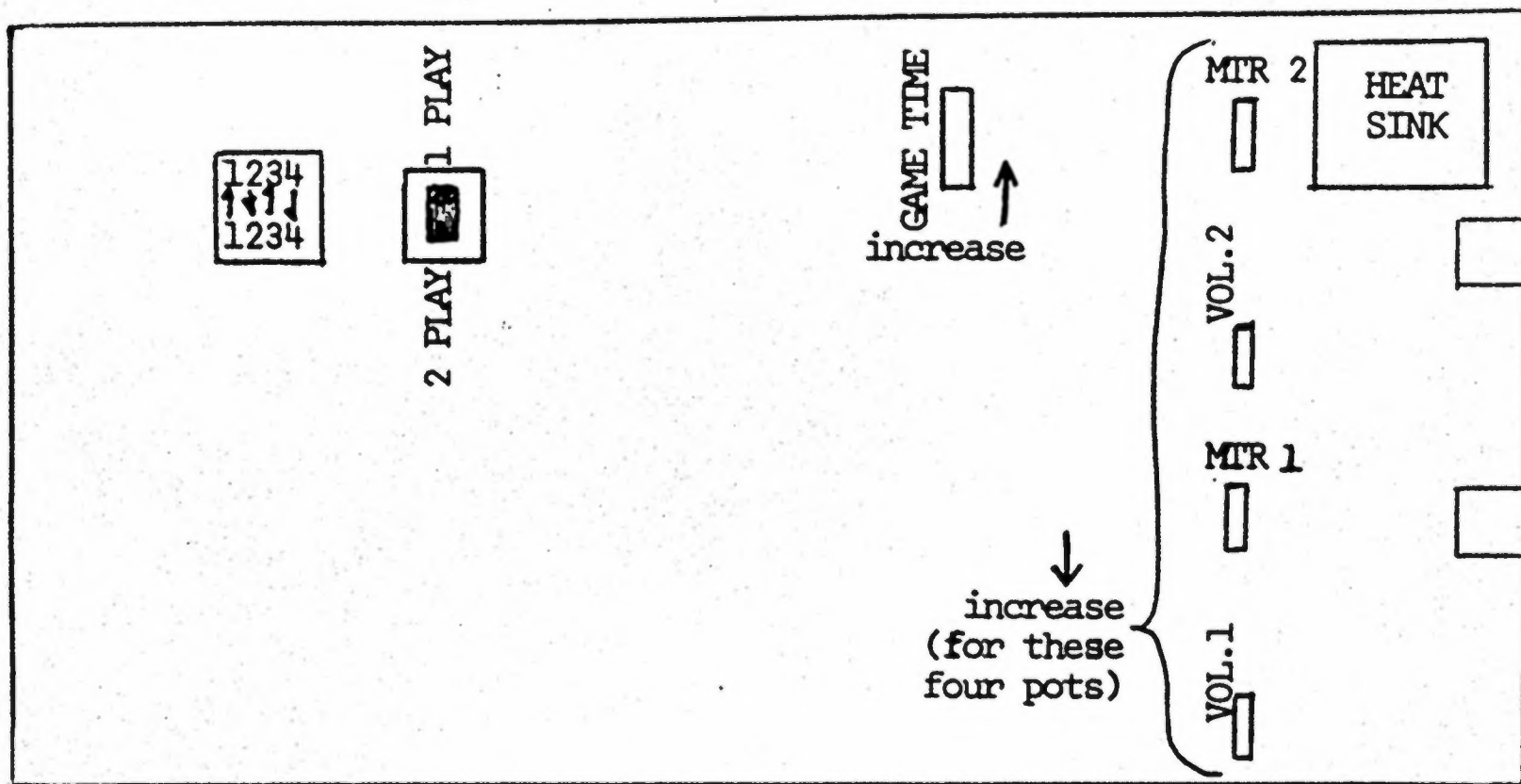
After setting the switch to the appropriate value, place the free play card behind the smoked plex so it rests along the retainer at the plex's bottom edge.

ADJUSTMENTS OF VARIOUS POTENTIOMETERS ON THE PCB (see drawing below)

The game length is controlled by the GAME TIME pot, located near the top center of the PCB. The range is approximately 30 seconds to 3 minutes.

The pitch of each car's motor is varied with the MTR 1 and MTR 2 pots, located near the edge-connector end of the PCB. The former controls the pitch of the white car (left steering wheel); the latter controls the pitch of the black car (right steering wheel).

The volume of each car's motor is varied with the VOL 1 and VOL 2 pots, located inward from the MTR 1 and -2 pots. Similar to the pitch, each volume pot controls one of the cars on the TV screen.



Crash 'N Score:
Operator-Adjustable Controls
for Game Structuring
on Printed Circuit Board



PARTS LIST SPECIFICATION		Page 1 of 3
Drawn D. Storie		
Checked D. Storie	Mech. Eng. <i>[Signature]</i>	
Proj. Eng. <i>[Signature]</i>	Elec. Eng. <i>[Signature]</i>	REV. A

Rev.	Description	Date	Apprv.	Rev.	Description	Date	Apprv.
1	PRE-PROD REL	10/13/75					
A	PROD REL	10/21/75	<i>[Signature]</i>				

Item	Part Number	Qty.	DESCRIPTION	
1	004257	1	Printed Circuit Board	
2	37-7400	11	I.C. 7400	A3,B5,C9,E4,F9,H3,J4,K5,L9,P3,P9
3	37-7402	9	I.C. 7402	C8,E6,F1,F4,H2,L4,L8,N4,N6
4	37-7404	12	I.C. 7404	A1,A6,C3,C10,D7,E10,J3,J6,J9,M7,N10,R3
5	37-7406	1	I.C. 7406	L10
6	37-7408	3	I.C. 7408	F3,J8,MN1
7	37-7410	5	I.C. 7410	B6,D3,F10,K6,P2
8	37-7414	1	I.C. 7414	H10
9	37-7420	4	I.C. 7420	C4,E8,N3,N8
10	37-7430	1	I.C. 7430	B1
11	37-7432	1	I.C. 7432	R4
12	37-7448	1	I.C. 7448	J1
13	37-7474	14	I.C. 7474	A5,A7,A8,B3,DE1,H9,J5,J7,K3,K4,M4,N1,R2,R9
14	37-7475	2	I.C. 7475	H7,R7
15	37-7485	3	I.C. 7485	B4,D9,M9
16	37-7486	3	I.C. 7486	D4,M3,L3
17	37-7490	7	I.C. 7490	B8,K8,L1,L2,M1,M2,P10
18	37-7492	2	I.C. 7492	B9,K9
19	37-7493	5	I.C. 7493	A4,D1,D8,E1,M8
20	37-74107	6	I.C. 74107	C7,F5,FH1,L7,P1,P5
21	37-74153	3	I.C. 74153	F2,K1,K2
22	37-74192	1	I.C. 74192	E3
23	37-74193	7	I.C. 74193	E9,F8,H8,N9,P4,P8,R8
24	37-74279	2	I.C. 74279	MN2,N2
25	37-9312	4	I.C. 9312	H1,H5,J2,R5
26	37-9316	13	I.C. 9316	A2,B2,C2,C5,C6,D5,D6,E5,L5,L6,M5,M6,N5
27	37-9602	2	I.C. 9602	H4,R1
28	37-555	5	I.C. 555	B7,D10,K7,M10,R10
29	37-LM323	1	Reg LM323 + 5V	
30	37-LM324	2	I.C. LM324 OP AMP	C11,L11
31	37-LM340T-15	1	Reg LM340T-15 +15V or 7815	
32	37-LM380	2	I.C. LM380 Audio AMP	B10,K10

PARTS LIST SPECIFICATION

Page 2 of 3

Item	Part Number	Qty.	DESCRIPTION	
33	003186	2	Rom, RT8 Car Video	F6,P6
34	003187	2	P-Rom, RT8, Car Motion Code	F7,P7
35	004248	1	P-Rom, Crash 'N Score, Location Code	D2
36	004247	1	P-Rom, Crash 'N Score, Shape Code	E2
37	79-42424	2	24 pin I.C. Socket	
38	79-42116	4	16 pin I.C. Socket	
39	31-MR501	2	Diode MR501 Power	D10,D11
40	31-A14F	2	Diode A14F Power	D18,D19
41	31-1N4001	2	Diode 1N4001 Power	D27,D28
42	31-1N914	17	Diode 1N914	D3,D5-D9,D12,D15, D16,D17,D20-D26
43	33-2N3644	3	Transistor PNP 2N3644	Q1,Q4,Q9
44	34-2N3643	2	Transistor NPN 2N3643	Q7,Q8
45	34-2N3565	2	Transistor NPN 2N3565	Q3,Q6
46	003629	2	Selected NPN Noise Source 2N3643	Q2,Q5
47	35-MCR106	3	SCR Transistor MCR106	Q10,Q11,Q12
48	38-MV5013	5	Light Emitting Diode, Visible Red	D1,D2,D4,D13,D14
49	21-500103	2	Capacitor, Mylar, .01uf, 50V	C10,C49
50	21-500104	2	Capacitor, Mylar, .1uf, 50V	C15,C52
51	24-160808	1	Capacitor, Elect. 8000uf 16V	C45
52	24-250105	4	Capacitor, Elect. 1uf 25V	C14,C16,C53,C54
53	24-250505	4	Capacitor, Elect. 5uf 25V	C7,C18,C48,C59
54	24-250106	9	Capacitor, Elect. 10uf 25V	C5,C8,C9,C12,C23, C47,C56,C67,C68,
55	24-250107	3	Capacitor, Elect. 100uf 25V	C4,C38,C39
56	24-060257	1	Capacitor, Elect. 250uf 6V	C1
57	24-250507	2	Capacitor, Elect. 500uf 25V	C25,C66
58	24-250478	1	Capacitor, Elect. 4700uf 25V	C57
59	27-250103	10	Capacitor, Ceramic .01uf 25V	C3,C11,C19,C36, C37,C41,C42,C50, C60,C69
60	27-250104	21	Capacitor, Ceramic .1uf 25V	C13,C21,C22,C24, C26-C35,C43,C44, C51,C55,C62,C63, C65
61	28-101101	7	Capacitor, Mica 100pf 100V	C2,C17,C20,C40, C58,C61,C64
62	28-101391	2	Capacitor, Mica 390pf 100V	C6,C46
63	10-5101	3	Resistor, Carbon, 5%, 1/4W, 100 ohm	R75,R77,R79
64	10-5151	4	Resistor, " " " 150 ohm	R9,R10,R73,R74
65	10-5221	6	Resistor, " " " 220 ohm	R14,R32,R33,R66, R72,R76
66	10-5331	3	Resistor, " " " 330 ohm	R78,R118,R119
67	10-5471	4	Resistor, " " " 470 ohm	R24,R31,R65,R71
68	10-5102	16	Resistor, " " " 1K	R3,R7,R8,R25,R36, R69,R70,R95,R103,R104,R120,R121, R49,R54,R55,R64



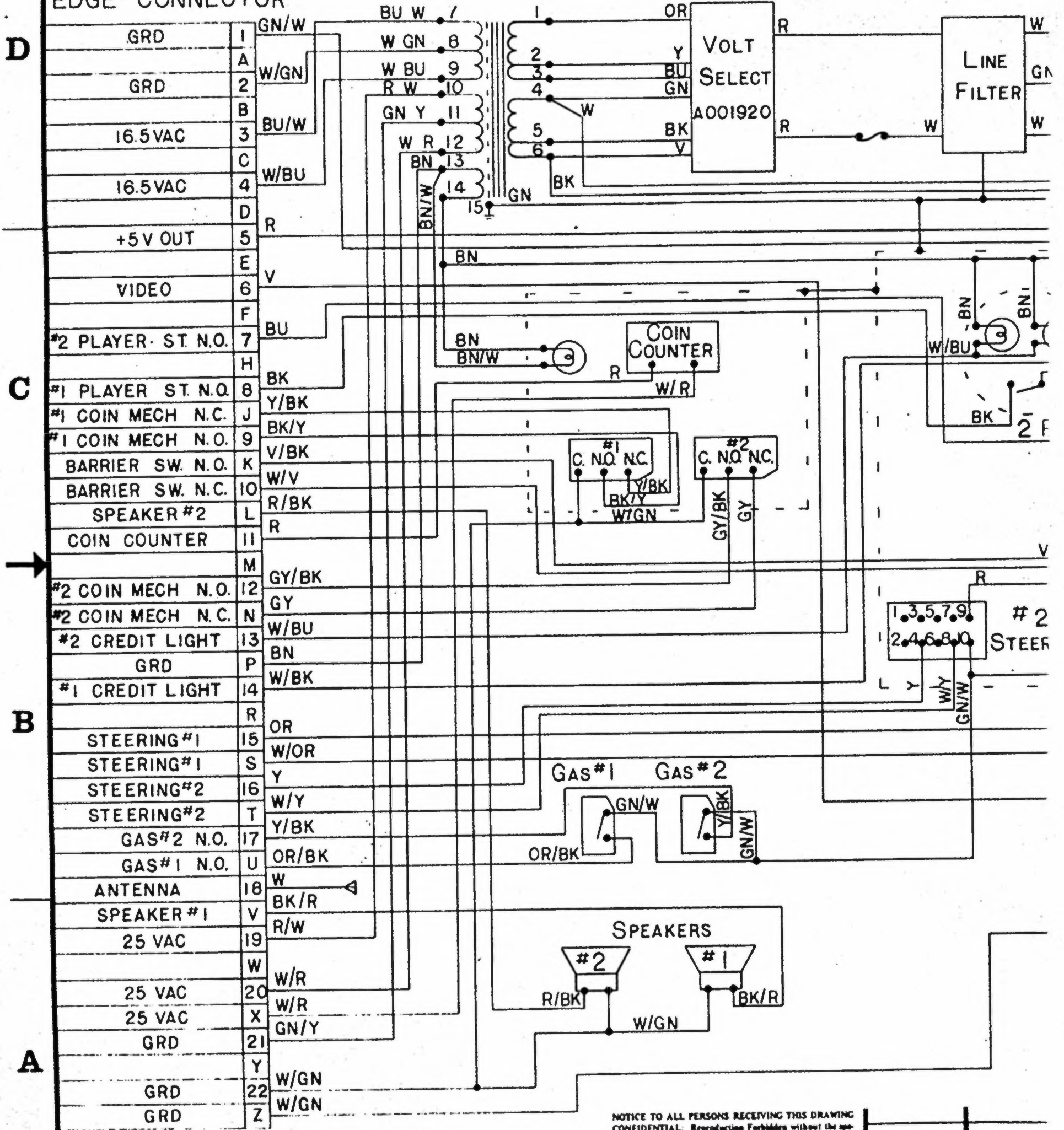
PARTS LIST SPECIFICATION

Page 3 of 3

Item	Part Number	Qty.	DESCRIPTION		
69	10-5272	4	Resistor, Carbon, 5%, 1/4W, 2.7K		R126-R129
70	10-5152	1	Resistor, " " " 1.5K		R23
71	10-5472	16	Resistor, " " " 4.7K		R15-R22, R80-R87
72	10-5103	15	Resistor, " " " 10K		R2, R12, R37, R46, R56, R58, R59, R60, R93, R98, R105, R110, R111, R112, R122
73	10-5123	2	Resistor, " " " 12K		R62, R114
74	10-5153	2	Resistor, " " " 15K		R38, R99
75	10-5333	3	Resistor, " " " 33K		R1, R48, R107
76	10-5563	3	Resistor, " " " 56K		R67, R68, R123
77	10-5683	2	Resistor, " " " 68K		R34, R96
78	10-5823	2	Resistor, " " " 82K		R50, R108
79	10-5104	17	Resistor, " " " 100K		R5, R11, R39, R41, R47, R51, R52, R53, R61, R100, R102, R106, R113, R115, R116, R117, R124
80	10-5224	4	Resistor, " " " 220K		R30, R35, R92, R97
81	10-5474	4	Resistor, " " " 470K		R29, R40, R91, R101
82	10-5105	4	Resistor, " " " 1 Meg		R26, R63, R88, R125
83	10-5225	2	Resistor, " " " 2.2M		R28, R90
84	10-5475	2	Resistor, " " " 4.7M		R27, R89
85	17-54P0	1	Resistor, WW, 5%, 10W, 4 ohm		R6
86	19-311103	2	Trim Pot, 10K ohm		R57, R109
87	19-311254	2	Trim Pot, 250K ohm		R13, R94
88	19-311105	1	Trim Pot, 1M ohm		R4
89	66-024P1T	1	Dip Switch, 4SPST		S2
90	69-001	1	Switch, DPDT		S1
91	72-1408C	2	Screw, Mach, Pan Hd, Phil 4-40 x 1/2, CRES		
92	75-016C	2	Washer, Flat #6, CRES		
93	75-914C	2	Nut, Hex 4-40, CRES		
94	75-054	2	Lockwasher, Int Star #4		
95	75-056	2	Lockwasher, Int Star #6		
96	75-916C	2	Nut, Mach, Hex, 6-32, CRES		
97	78-06004	1	Heat Sink, Wakefield #680-.75A		
98	78-16005	1	Silpad, Wafer, Insulator, To-3		
99	90-101	1	Crystal 14.31818		Y1
100	72-1610C	2	Screw, Mach, Pan Hd, Phil, 6-32 x 5/8", CRES		

*

44 POS EDGE CONNECTOR TRANS 001551



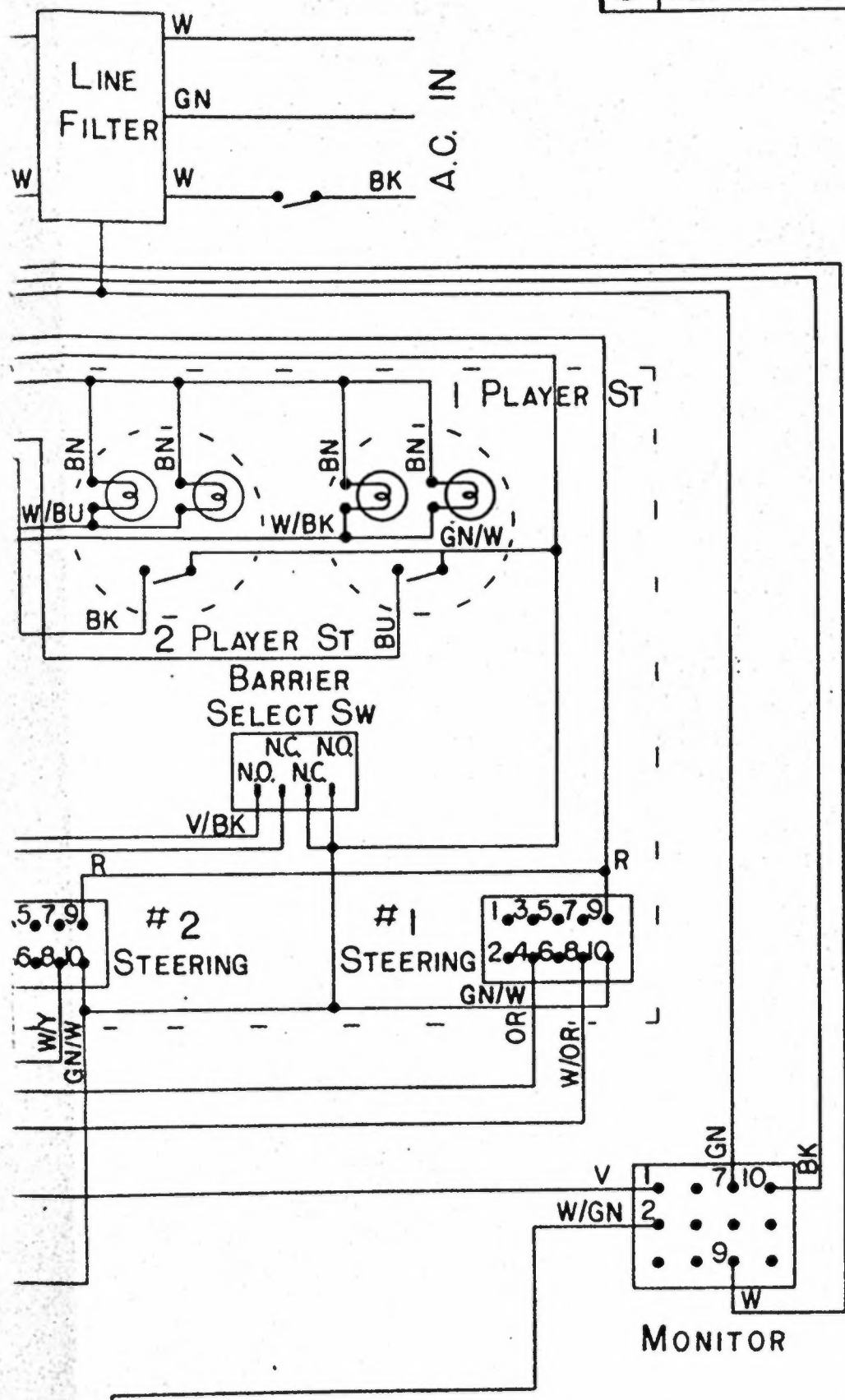
NOTICE TO ALL PERSONS RECEIVING THIS DRAWING
 CONFIDENTIAL. Reproduction Forbidden without the
 specific written permission of Atari Inc., Los Gatos, California.
 This drawing is only conditionally loaned, and neither receipt
 nor possession thereof confers or transfers any right in, or
 license to use, the subject matter of the drawing or any design
 or technical information shown thereon, nor any right to re-
 produce this drawing or any part thereof, except for manufac-
 ture by vendors for Atari Incorporated and for manufacture
 under the corporation's written license, no right to reproduce
 this drawing is granted or the subject matter thereof unless by
 written agreement with or written permission from the cor-
 poration.

NEXT ASSY	USED ON
APPLICATION	

2

1

REVISIONS				
SYM	DESCRIPTION	INITIALS and DATE		
		DRFTG	CHECK	ENGRG
A	PROD. REL.	<i>10/10/75</i>	<i>ED</i>	<i>BRR</i>
B	REV PER ECN 1704	<i>10-15-75</i>	<i>ED</i>	<i>BRR</i>



D

C



B

DRAWING NO.

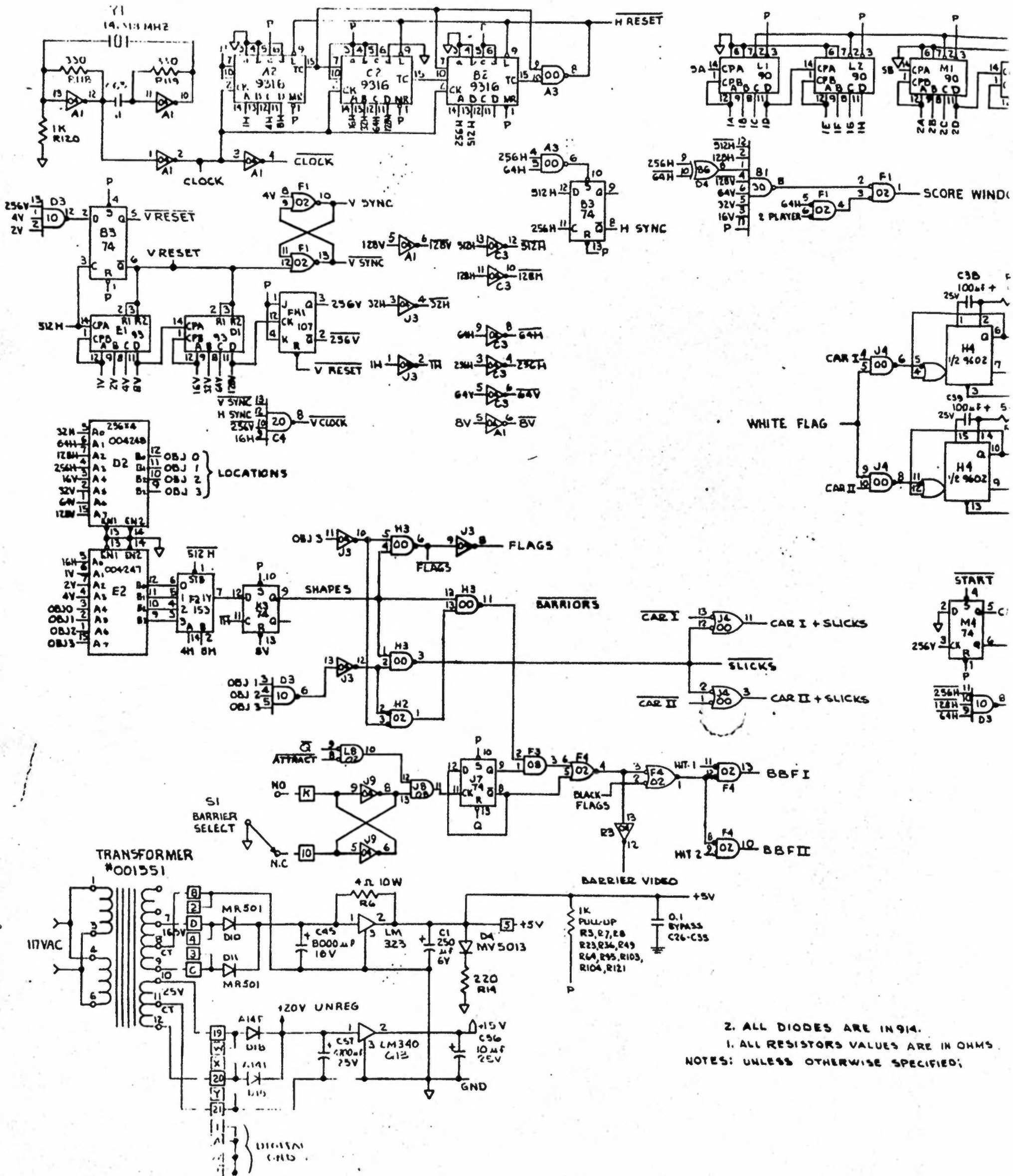
SHEET

REV

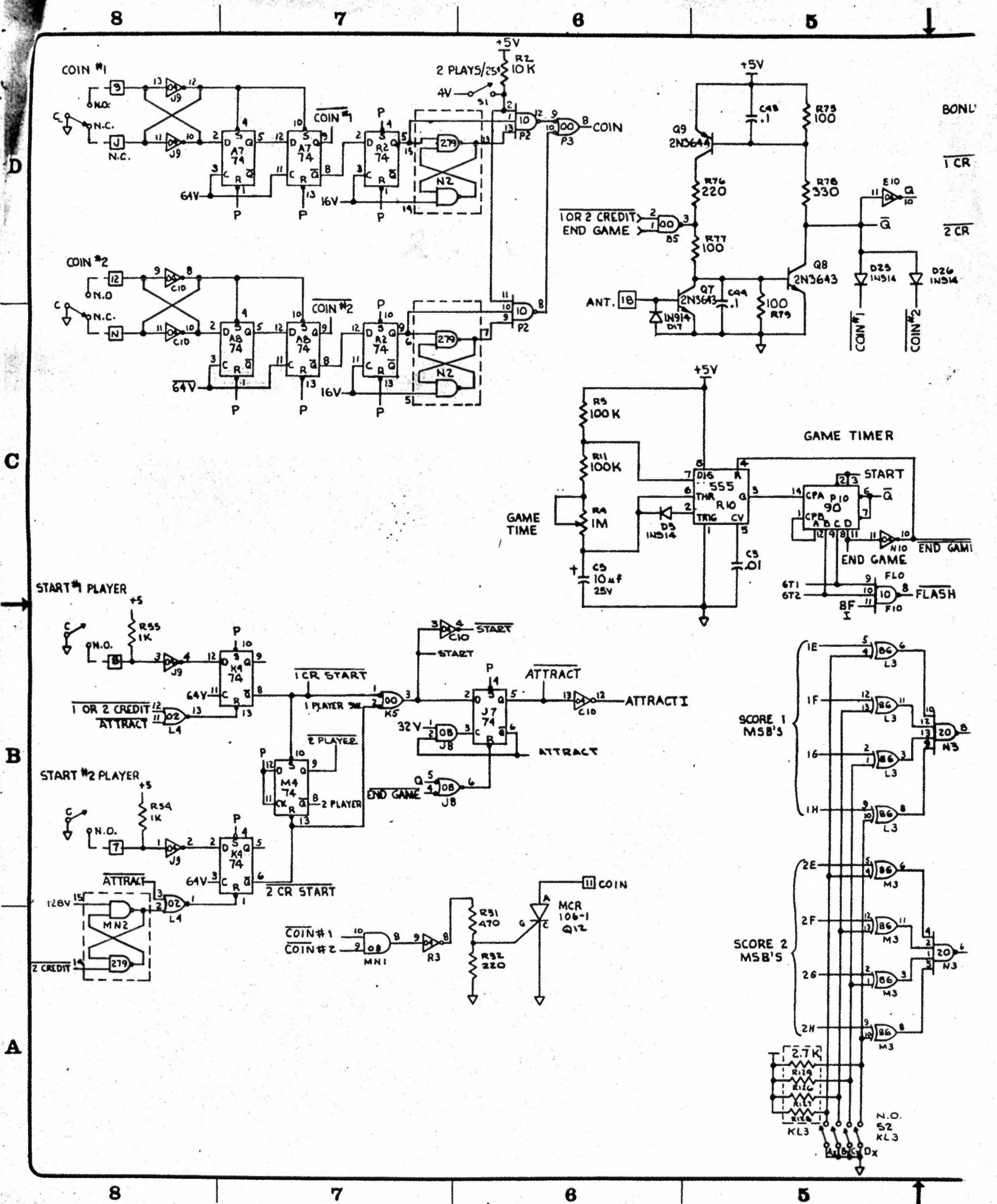
A

INTERPRET THIS DRAWING PER USAS1 Y14.5 UNLESS OTHERWISE SPECIFIED DIMENSIONS ARE IN INCHES TOLERANCES ON: FRACTIONS = ±1/16 .x = ±.1 ANGLES = ±1° .xx = ±.03 SURFACE FINISH ✓ .xxx = ±.010	DRAWN BY B.R.R.	DATE 10-7-75	 ATARI ATARI INCORPORATED 14600 Winchester Boulevard Los Gatos, California 95030
	CHECKED DESIGN ENGINEER <i>Buel L. Lyon</i> PROJECT ENGINEER	TITLE ARCADE CRASH N SCORE HARNESS SCHEMATIC	
MATERIAL:	DOCUMENT CONTROL	APPROVED <i>E. Machel</i>	SIZE C
USED ON APPLICATION	DRAWING NO. 004218	REV B	SCALE SHEET OF

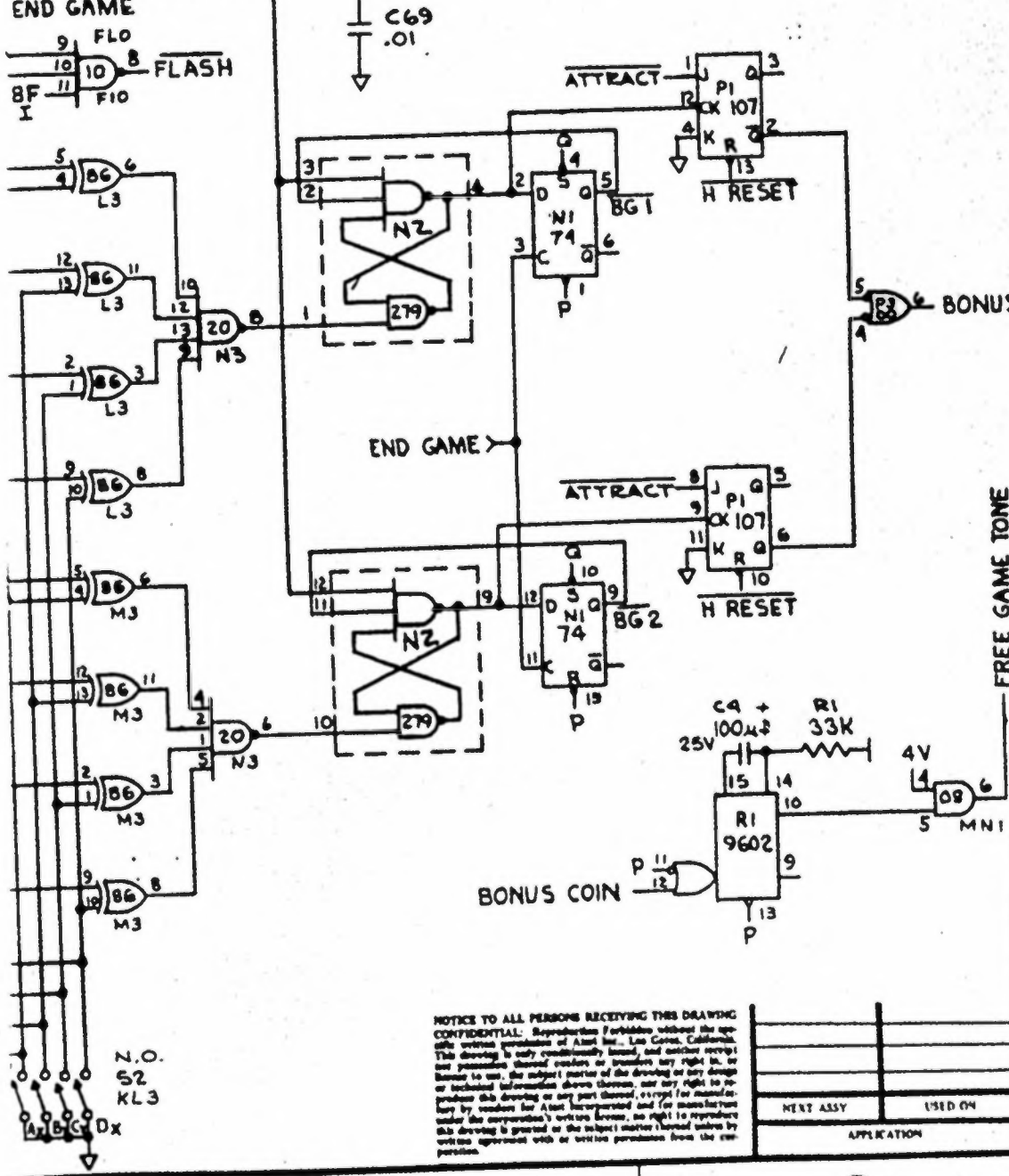
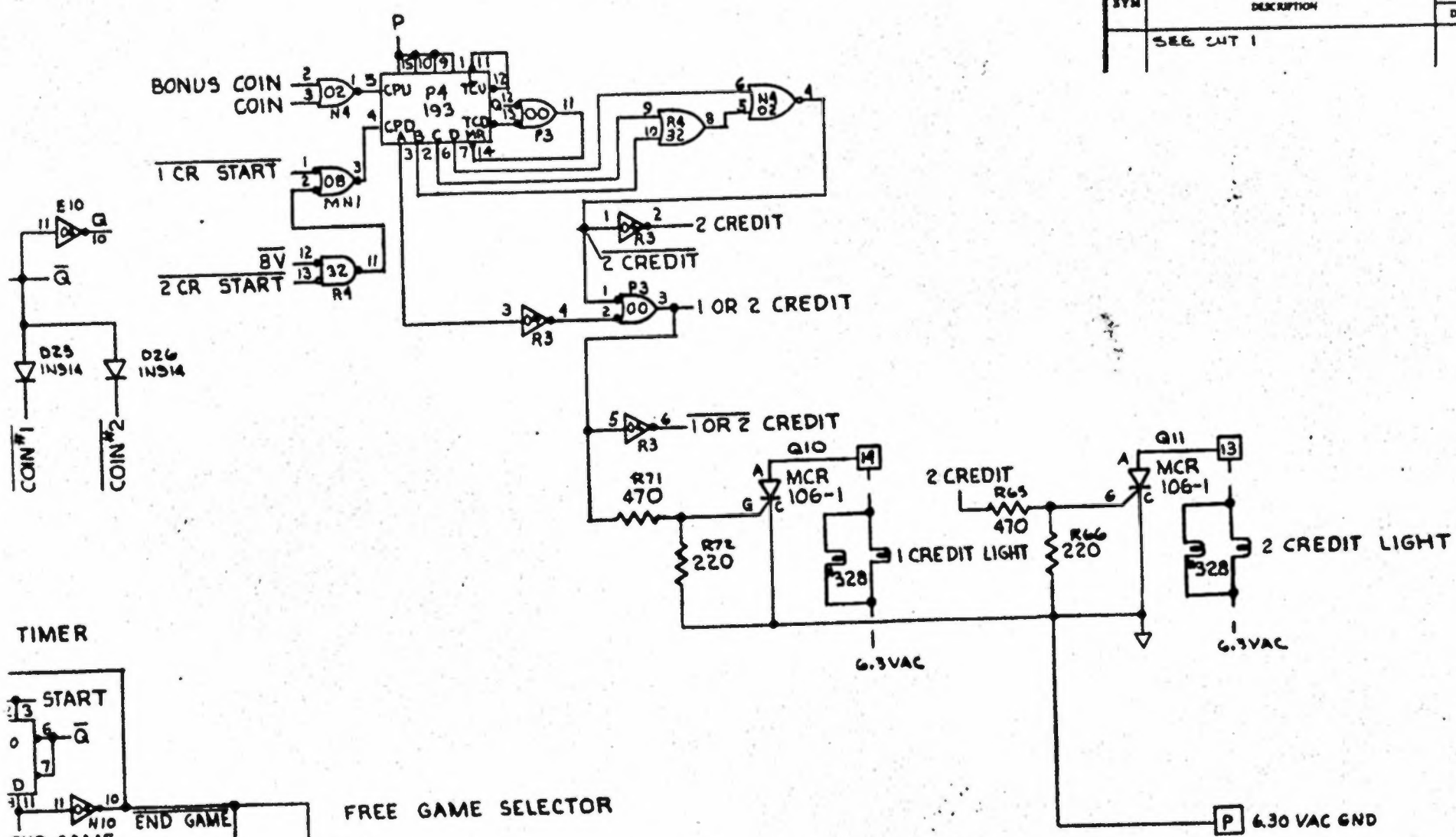
1



2. ALL DIODES ARE IN914.
 1. ALL RESISTORS VALUES ARE IN OHMS.
 NOTES: UNLESS OTHERWISE SPECIFIED;



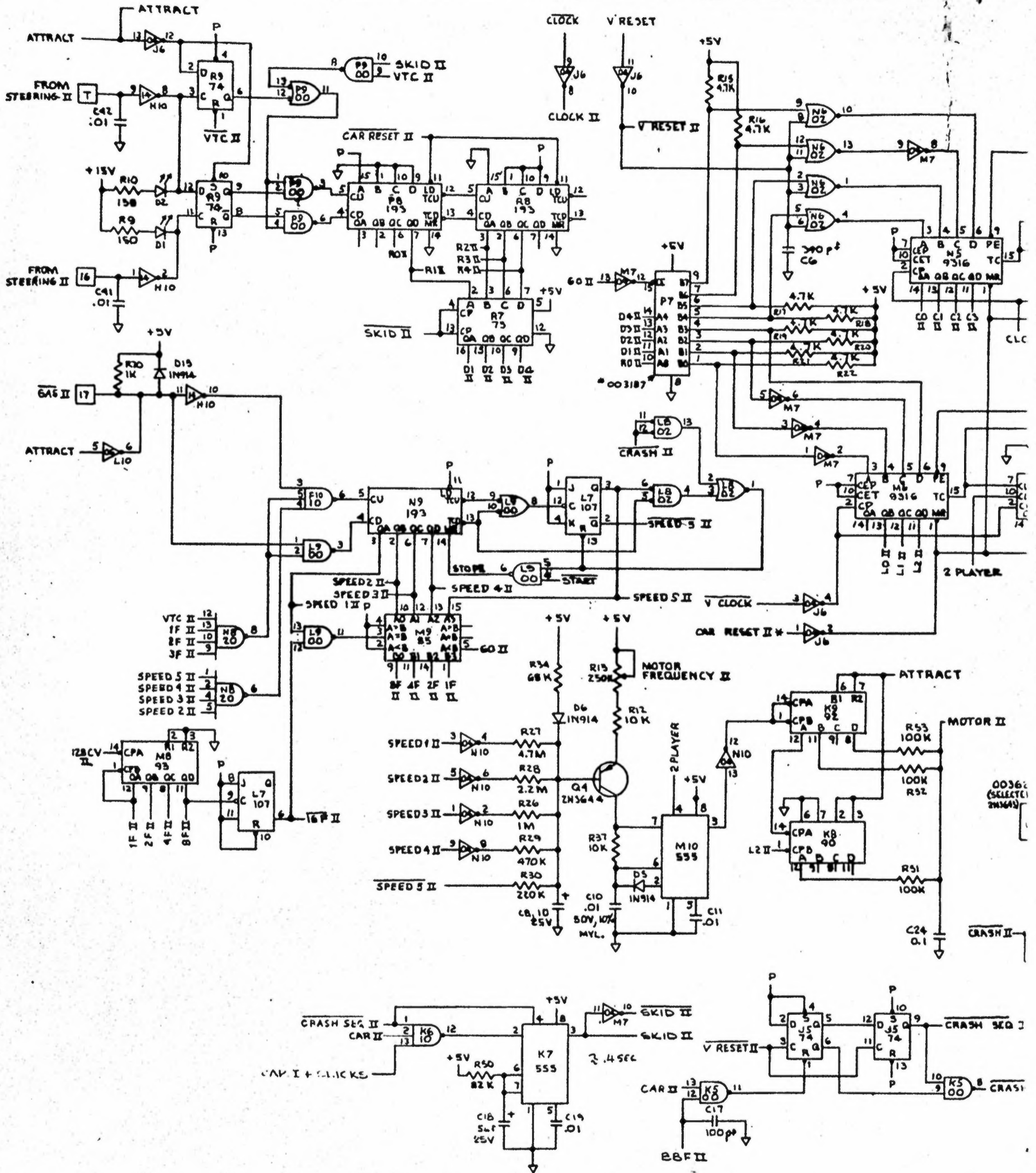
REVISIONS			INITIALS and DATE		
SYM	DESCRIPTION		DR/FC	CHK	DT
SEE CUT 1					



NOTICE TO ALL PERSONS RECEIVING THIS DRAWING
 CONFIDENTIAL. Reproduction forbidden without the specific written permission of Atari Inc., Los Gatos, California. This drawing is not to be used for any purpose other than that for which it was prepared and any right to reproduce this drawing or any part thereof, except for manufacture by vendors for Atari Incorporated and for manufacture under the corporation's written license, no right to reproduce this drawing is granted or the input matter thereof unless by written agreement with or written permission from the corporation.

INTERPRET THIS DRAWING PER ULAM Y143	DRAWN BY <i>J. Janni</i>	DATE 9/8/75
UNLESS OTHERWISE SPECIFIED DIMENSIONS ARE IN INCHES TOLERANCES ON	CHECKED	
FRACTIONS 0.1/16 0.003	DESIGN ENGINEER <i>D. Stra</i>	
ANGLES 0.1° 0.0005	PROJECT ENGINEER	
SURFACE FINISH 0.0005 0.010	DOCUMENT CONTROL	
MATERIAL	APPROVED	
NEXT ASSY	USED ON	
APPLICATION		

ATARI INCORPORATED 14600 Winchester Boulevard Los Gatos, California 95030
TITLE SCHEMATIC CRASH N'SCORE
SIZE D
DRAWING NO 11A756
SHEET 2 OF 2



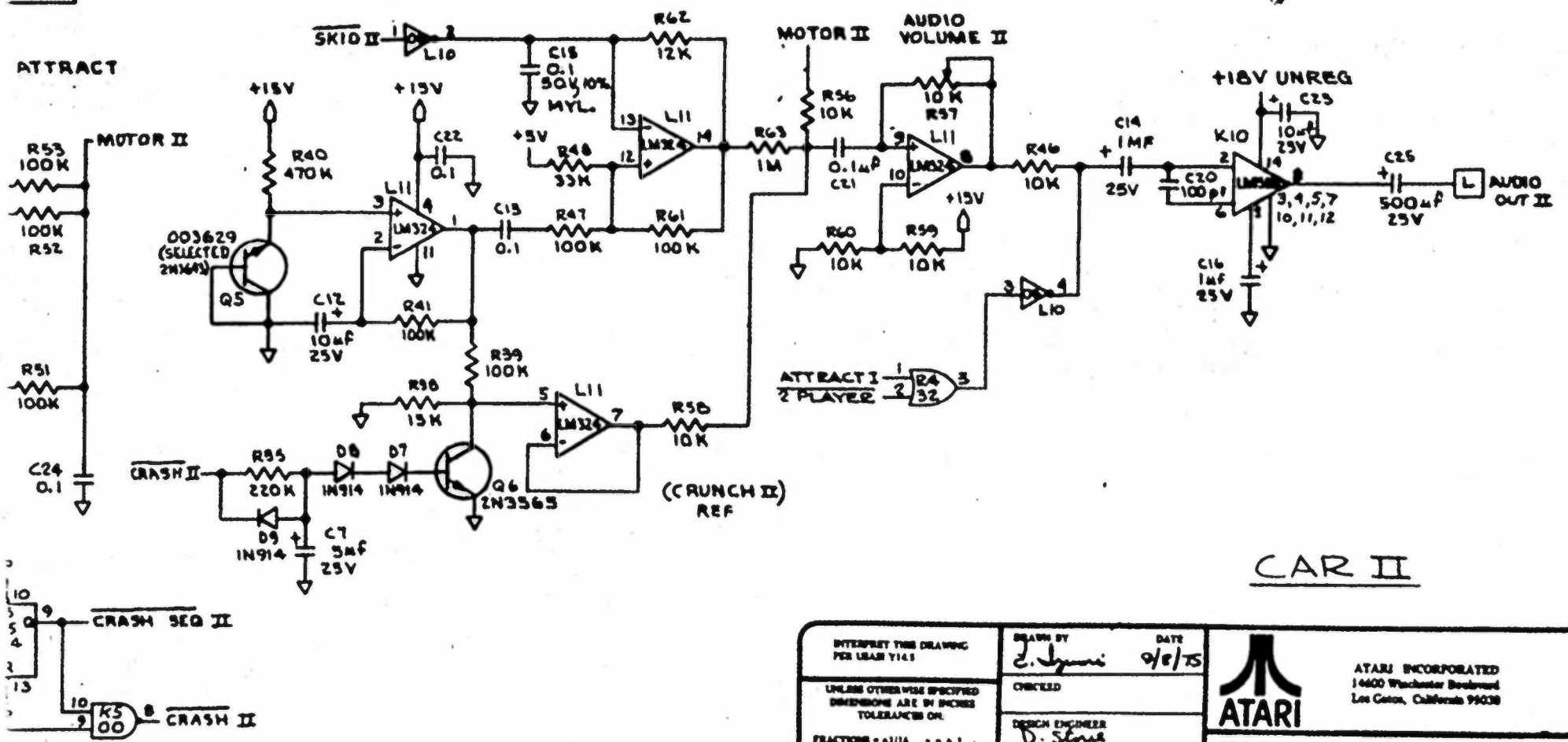
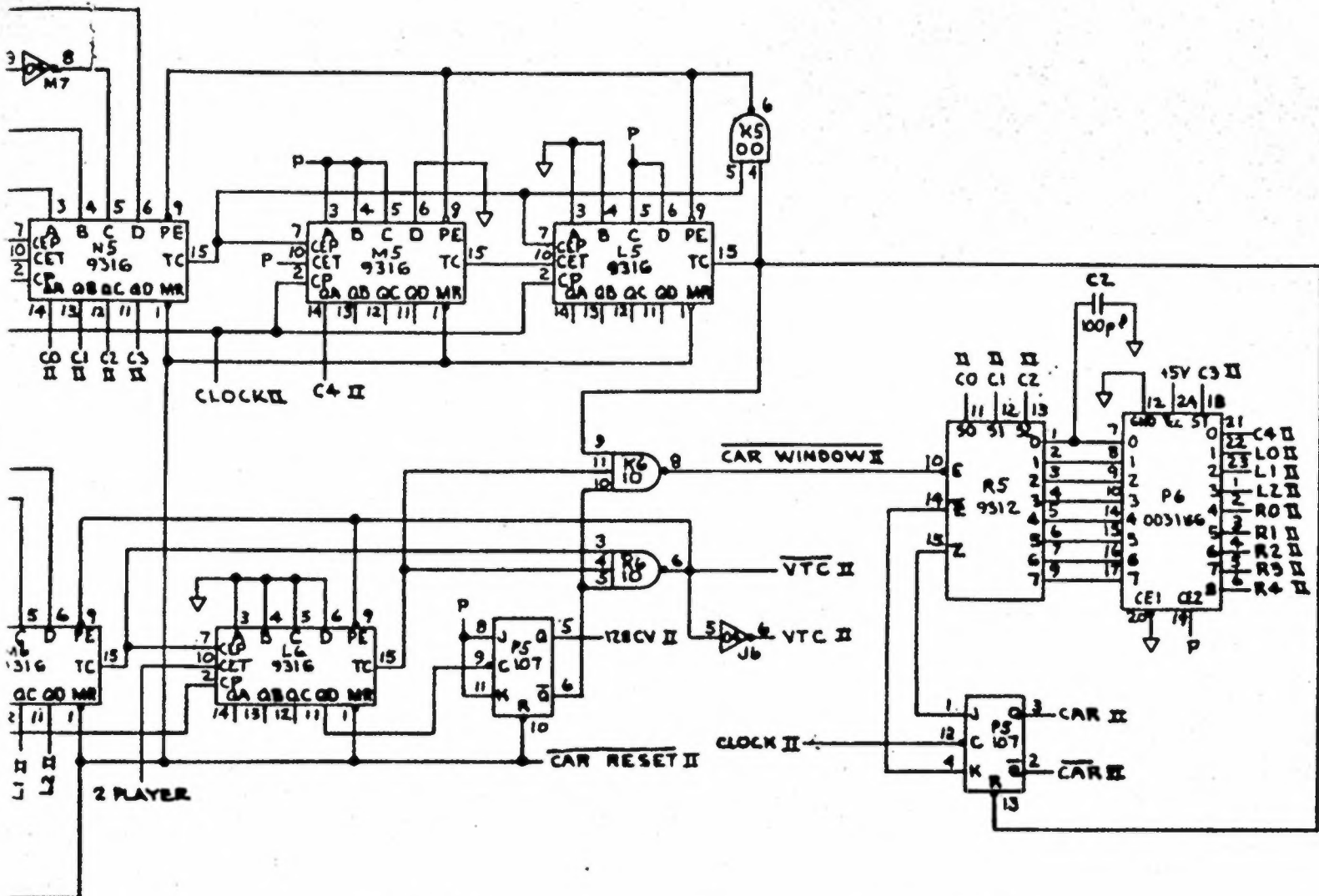
4

3

2

1

SYMBOL		DETAILS and DATE		
SYM	DESCRIPTION	DR/TC	CHK'D	ENGRG
SEE SHY 1				



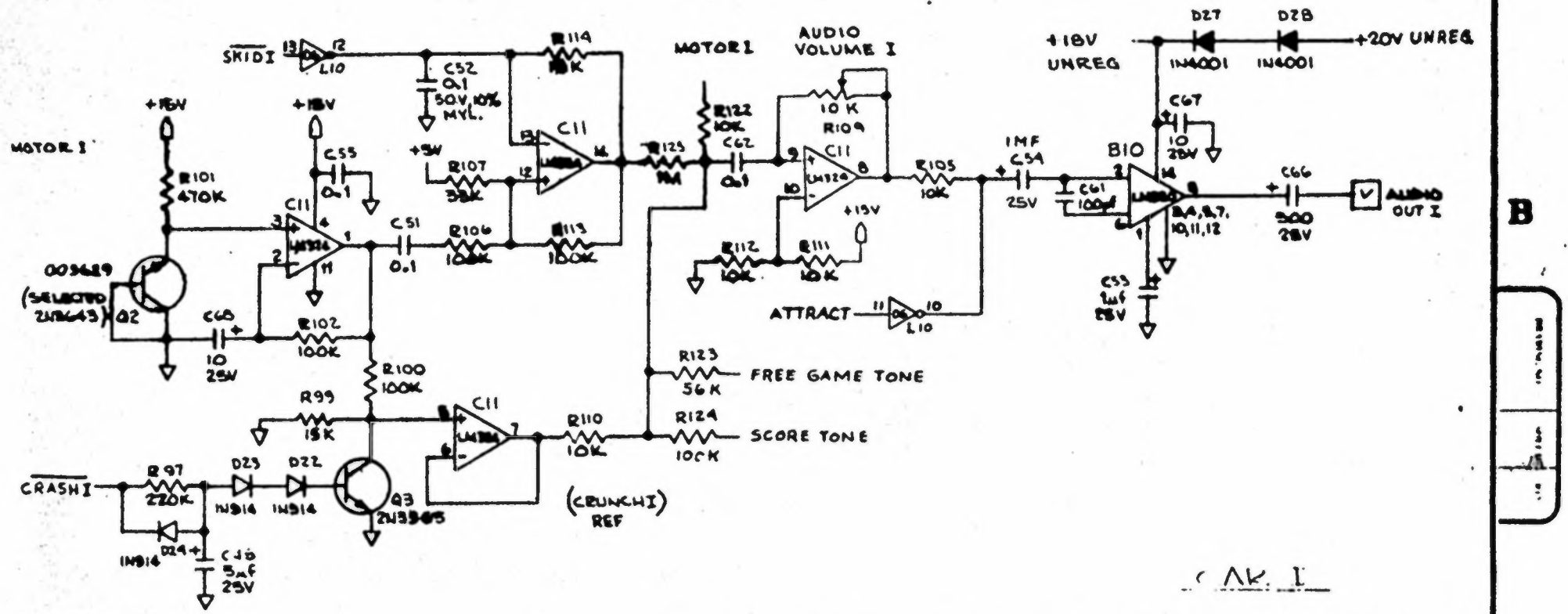
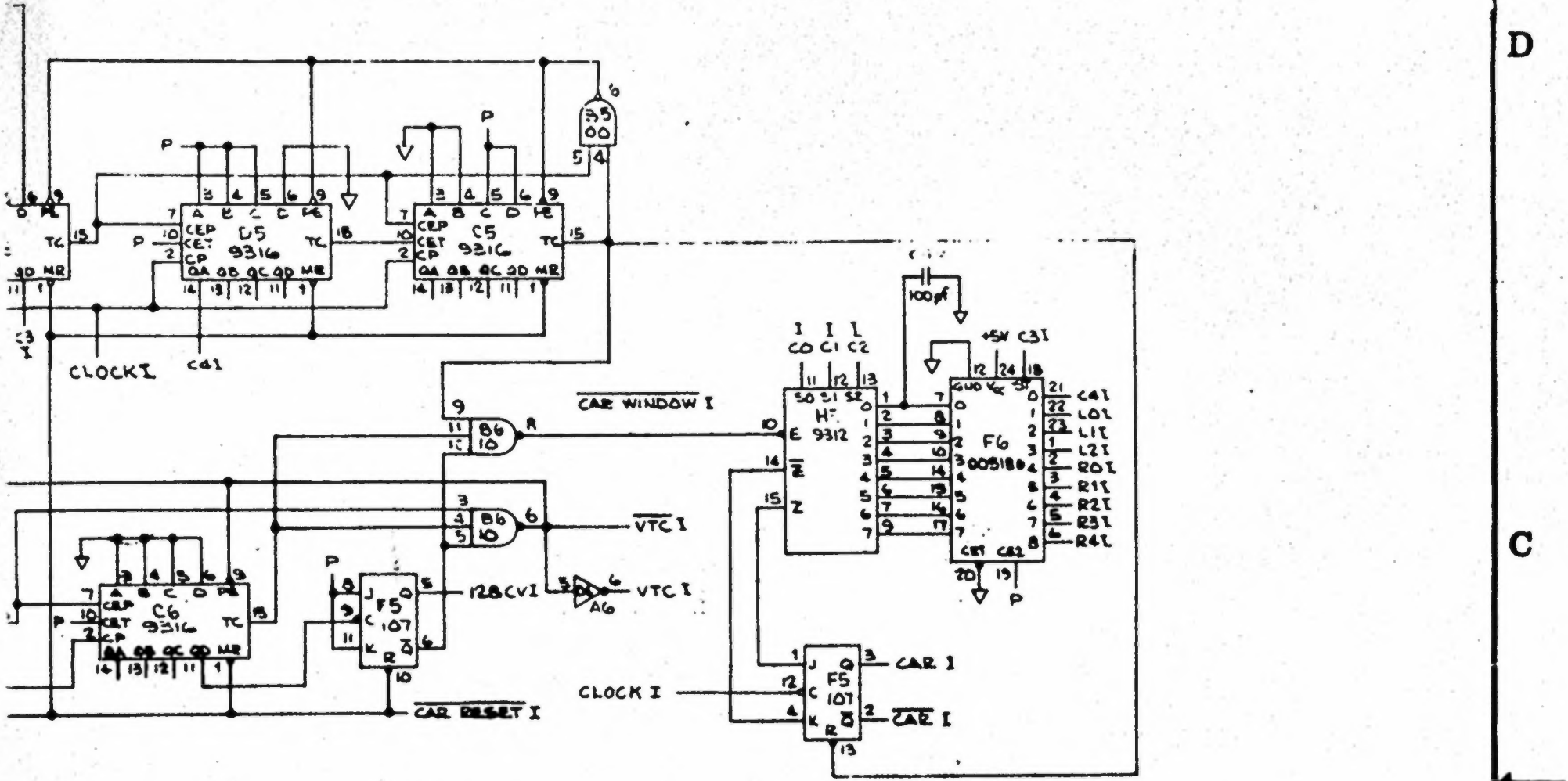
CAR II

NOTICE TO ALL PERSONS RECEIVING THIS DRAWING
 CONFIDENTIAL. Reproduction forbidden without the specific written permission of Atari Inc., Los Gatos, California. This drawing is only conditionally issued, and neither copyright nor patenting shall be construed as an admission of liability. In no event shall the liability of Atari Inc. be limited by the amount of any award. Atari Inc. reserves the right to modify this drawing at any time without notice. No part of this drawing is to be reproduced or transmitted in any form or by any means, electronic, mechanical, photocopying, recording, or by any information storage and retrieval system, without the prior written permission of Atari Inc.

INTERPRET THIS DRAWING PER LEAS Y145	DATE
UNLESS OTHERWISE SPECIFIED DIMENSIONS ARE IN INCHES TOLERANCES ON	9/8/75
FRACTIONS = 1/16 3/32	
ANGLES = 45°	
SURFACE FINISH = 125 ± 0.010	
MATERIAL	
APPROVED	
SCALE	

<p>ATARI INCORPORATED 14600 Woodchester Boulevard Los Gatos, California 95030</p>	<p>ATARI</p>
<p>TITLE SCHEMATIC CRASH II'S SCORE</p>	
<p>SYMBOL D</p>	<p>DRAWING NO. 1.1.1256</p>
<p>SCALE</p>	<p>REV A</p>
<p>SHEET 4 OF 4</p>	

SYM	1648100	REVISED DATE	DATE	BY



EASH 580 I

85 20 CRASH I

NOTE TO ALL PERSONS RECEIVING THIS DRAWING:
 THIS DRAWING IS THE PROPERTY OF ATARI INCORPORATED. IT IS TO BE USED ONLY FOR THE PURPOSES SPECIFIED HEREIN. IT IS TO BE KEPT IN A SAFE PLACE AND NOT TO BE LOANED, REPRODUCED, COPIED, OR IN ANY MANNER DISCLOSED TO ANY OTHER PERSON WITHOUT THE WRITTEN PERMISSION OF ATARI INCORPORATED. IT IS TO BE DESTROYED UPON THE REQUEST OF ATARI INCORPORATED.

DATE	BY	APP'D
REV	DESCRIPTION	

INTERPRET THIS DRAWING PER CSAM 1114	DESIGNED BY E. Izumi	PART
INDICATE OTHER THAN SPECIFIED DIMENSIONS ARE TO DIMENSIONS TOLERANCES IN INCHES	CHECKED BY	
FRONT VIEW 0116 0117 0118 0119 0120 0121 0122 0123 0124 0125 0126 0127 0128 0129 0130 0131 0132 0133 0134 0135 0136 0137 0138 0139 0140 0141 0142 0143 0144 0145 0146 0147 0148 0149 0150 0151 0152 0153 0154 0155 0156 0157 0158 0159 0160 0161 0162 0163 0164 0165 0166 0167 0168 0169 0170 0171 0172 0173 0174 0175 0176 0177 0178 0179 0180 0181 0182 0183 0184 0185 0186 0187 0188 0189 0190 0191 0192 0193 0194 0195 0196 0197 0198 0199 0200 0201 0202 0203 0204 0205 0206 0207 0208 0209 0210 0211 0212 0213 0214 0215 0216 0217 0218 0219 0220 0221 0222 0223 0224 0225 0226 0227 0228 0229 0230 0231 0232 0233 0234 0235 0236 0237 0238 0239 0240 0241 0242 0243 0244 0245 0246 0247 0248 0249 0250 0251 0252 0253 0254 0255 0256 0257 0258 0259 0260 0261 0262 0263 0264 0265 0266 0267 0268 0269 0270 0271 0272 0273 0274 0275 0276 0277 0278 0279 0280 0281 0282 0283 0284 0285 0286 0287 0288 0289 0290 0291 0292 0293 0294 0295 0296 0297 0298 0299 0300 0301 0302 0303 0304 0305 0306 0307 0308 0309 0310 0311 0312 0313 0314 0315 0316 0317 0318 0319 0320 0321 0322 0323 0324 0325 0326 0327 0328 0329 0330 0331 0332 0333 0334 0335 0336 0337 0338 0339 0340 0341 0342 0343 0344 0345 0346 0347 0348 0349 0350 0351 0352 0353 0354 0355 0356 0357 0358 0359 0360 0361 0362 0363 0364 0365 0366 0367 0368 0369 0370 0371 0372 0373 0374 0375 0376 0377 0378 0379 0380 0381 0382 0383 0384 0385 0386 0387 0388 0389 0390 0391 0392 0393 0394 0395 0396 0397 0398 0399 0400 0401 0402 0403 0404 0405 0406 0407 0408 0409 0410 0411 0412 0413 0414 0415 0416 0417 0418 0419 0420 0421 0422 0423 0424 0425 0426 0427 0428 0429 0430 0431 0432 0433 0434 0435 0436 0437 0438 0439 0440 0441 0442 0443 0444 0445 0446 0447 0448 0449 0450 0451 0452 0453 0454 0455 0456 0457 0458 0459 0460 0461 0462 0463 0464 0465 0466 0467 0468 0469 0470 0471 0472 0473 0474 0475 0476 0477 0478 0479 0480 0481 0482 0483 0484 0485 0486 0487 0488 0489 0490 0491 0492 0493 0494 0495 0496 0497 0498 0499 0500 0501 0502 0503 0504 0505 0506 0507 0508 0509 0510 0511 0512 0513 0514 0515 0516 0517 0518 0519 0520 0521 0522 0523 0524 0525 0526 0527 0528 0529 0530 0531 0532 0533 0534 0535 0536 0537 0538 0539 0540 0541 0542 0543 0544 0545 0546 0547 0548 0549 0550 0551 0552 0553 0554 0555 0556 0557 0558 0559 0560 0561 0562 0563 0564 0565 0566 0567 0568 0569 0570 0571 0572 0573 0574 0575 0576 0577 0578 0579 0580 0581 0582 0583 0584 0585 0586 0587 0588 0589 0590 0591 0592 0593 0594 0595 0596 0597 0598 0599 0600 0601 0602 0603 0604 0605 0606 0607 0608 0609 0610 0611 0612 0613 0614 0615 0616 0617 0618 0619 0620 0621 0622 0623 0624 0625 0626 0627 0628 0629 0630 0631 0632 0633 0634 0635 0636 0637 0638 0639 0640 0641 0642 0643 0644 0645 0646 0647 0648 0649 0650 0651 0652 0653 0654 0655 0656 0657 0658 0659 0660 0661 0662 0663 0664 0665 0666 0667 0668 0669 0670 0671 0672 0673 0674 0675 0676 0677 0678 0679 0680 0681 0682 0683 0684 0685 0686 0687 0688 0689 0690 0691 0692 0693 0694 0695 0696 0697 0698 0699 0700 0701 0702 0703 0704 0705 0706 0707 0708 0709 0710 0711 0712 0713 0714 0715 0716 0717 0718 0719 0720 0721 0722 0723 0724 0725 0726 0727 0728 0729 0730 0731 0732 0733 0734 0735 0736 0737 0738 0739 0740 0741 0742 0743 0744 0745 0746 0747 0748 0749 0750 0751 0752 0753 0754 0755 0756 0757 0758 0759 0760 0761 0762 0763 0764 0765 0766 0767 0768 0769 0770 0771 0772 0773 0774 0775 0776 0777 0778 0779 0780 0781 0782 0783 0784 0785 0786 0787 0788 0789 0790 0791 0792 0793 0794 0795 0796 0797 0798 0799 0800 0801 0802 0803 0804 0805 0806 0807 0808 0809 0810 0811 0812 0813 0814 0815 0816 0817 0818 0819 0820 0821 0822 0823 0824 0825 0826 0827 0828 0829 0830 0831 0832 0833 0834 0835 0836 0837 0838 0839 0840 0841 0842 0843 0844 0845 0846 0847 0848 0849 0850 0851 0852 0853 0854 0855 0856 0857 0858 0859 0860 0861 0862 0863 0864 0865 0866 0867 0868 0869 0870 0871 0872 0873 0874 0875 0876 0877 0878 0879 0880 0881 0882 0883 0884 0885 0886 0887 0888 0889 0890 0891 0892 0893 0894 0895 0896 0897 0898 0899 0900 0901 0902 0903 0904 0905 0906 0907 0908 0909 0910 0911 0912 0913 0914 0915 0916 0917 0918 0919 0920 0921 0922 0923 0924 0925 0926 0927 0928 0929 0930 0931 0932 0933 0934 0935 0936 0937 0938 0939 0940 0941 0942 0943 0944 0945 0946 0947 0948 0949 0950 0951 0952 0953 0954 0955 0956 0957 0958 0959 0960 0961 0962 0963 0964 0965 0966 0967 0968 0969 0970 0971 0972 0973 0974 0975 0976 0977 0978 0979 0980 0981 0982 0983 0984 0985 0986 0987 0988 0989 0990 0991 0992 0993 0994 0995 0996 0997 0998 0999 1000		

ATARI INCORPORATED
 1100 W. Bay Street
 Sunnyvale, California 94086

ATARI

TYPE **SCHMATIC**
CRASH N' SCORE

REV **D** DRAWN **1/1/81** BY **A**

DATE **1/1/81** SHEET **3** OF **4**

