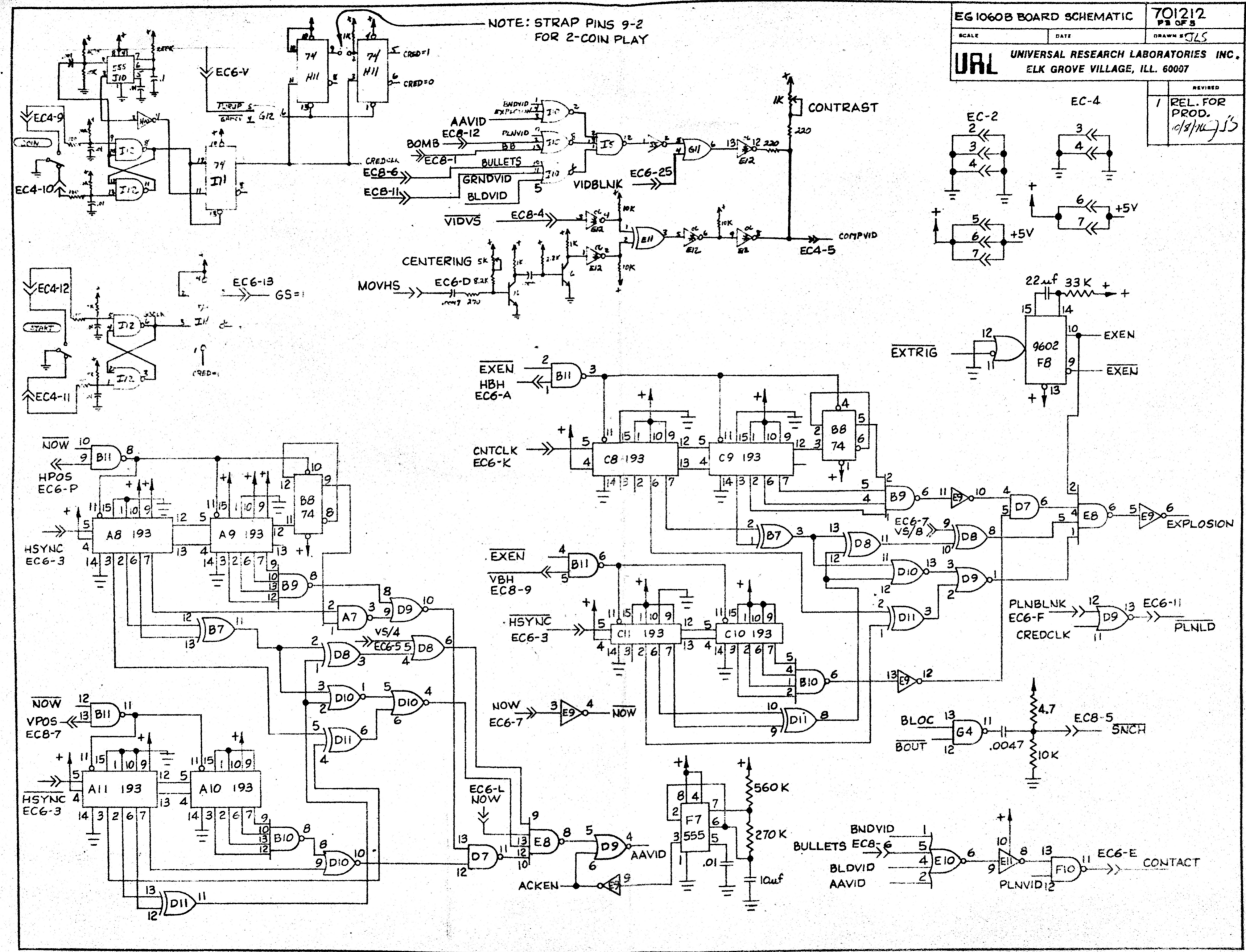
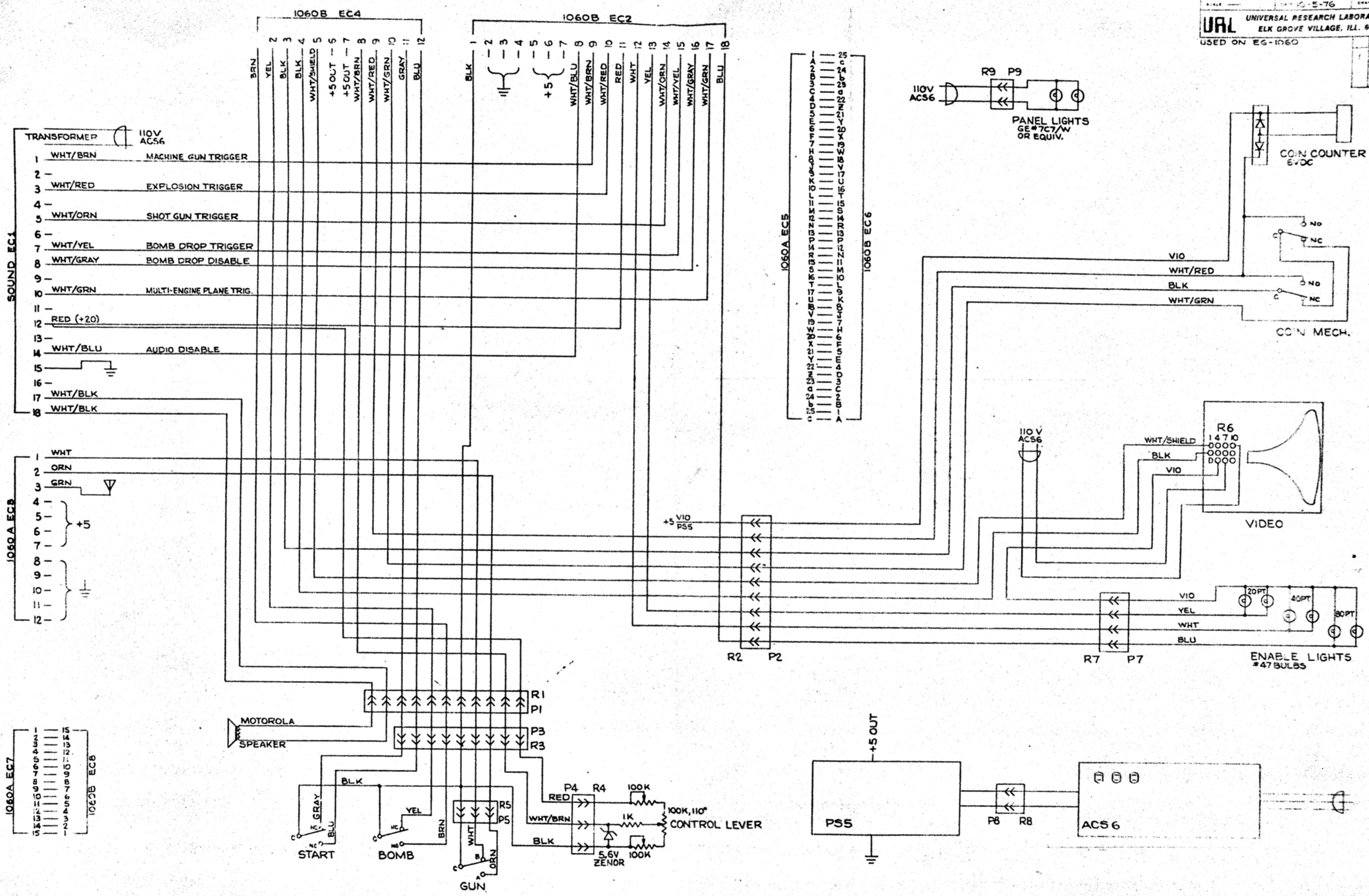


REVISED
 1 REL. FOR PROD.
 10/8/62 JLS

NOTE: STRAP PINS 9-2 FOR 2-COIN PLAY

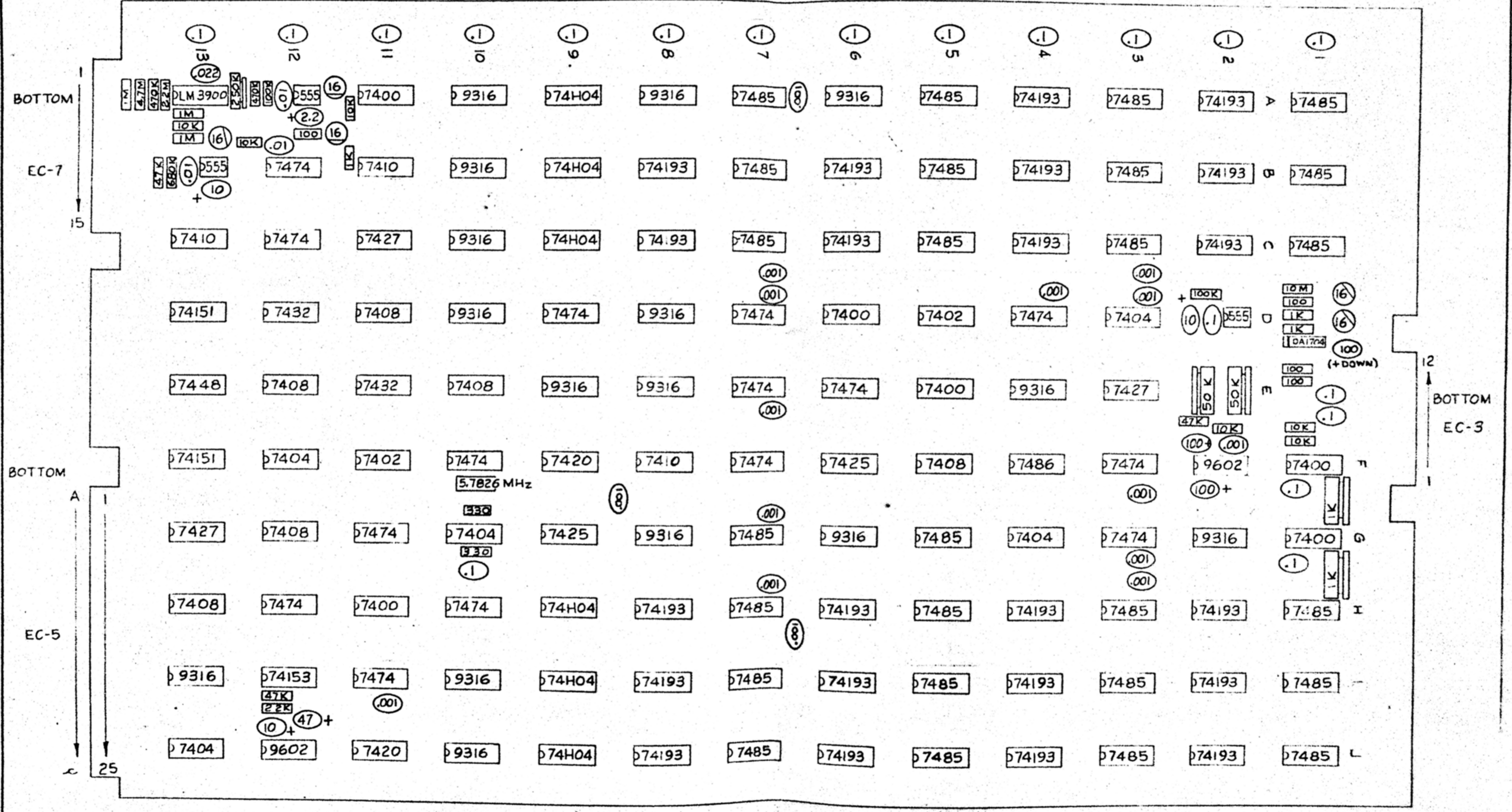


RELEASE FOR PROC. 10-6-76



NOTE
 ALL RESISTORS 1/4 WATT 5%
 ALL CAPACITORS: VALUES IN μ f

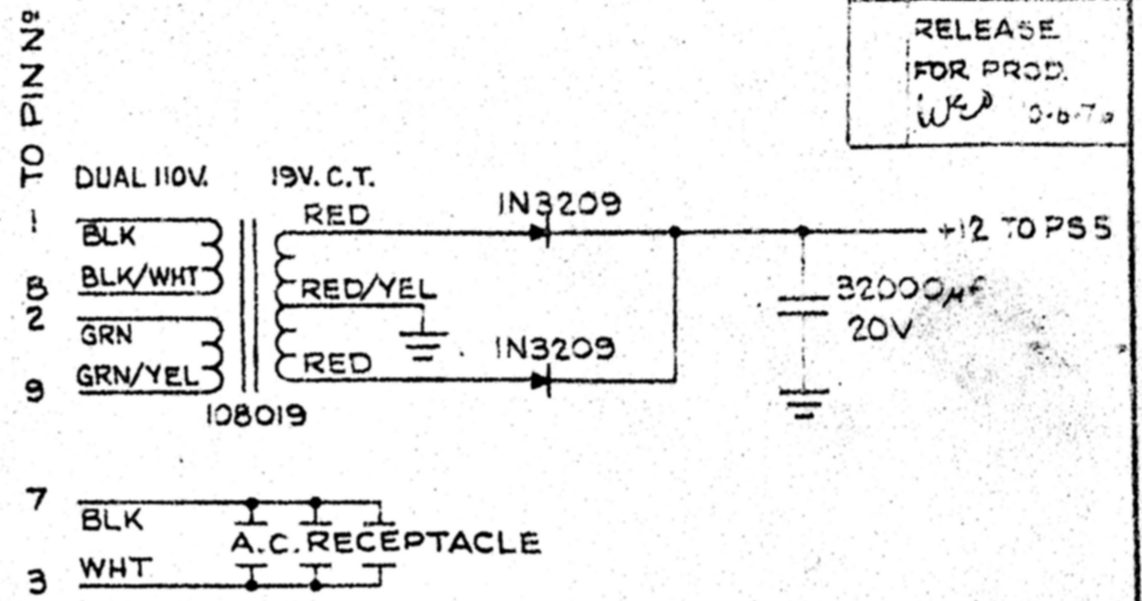
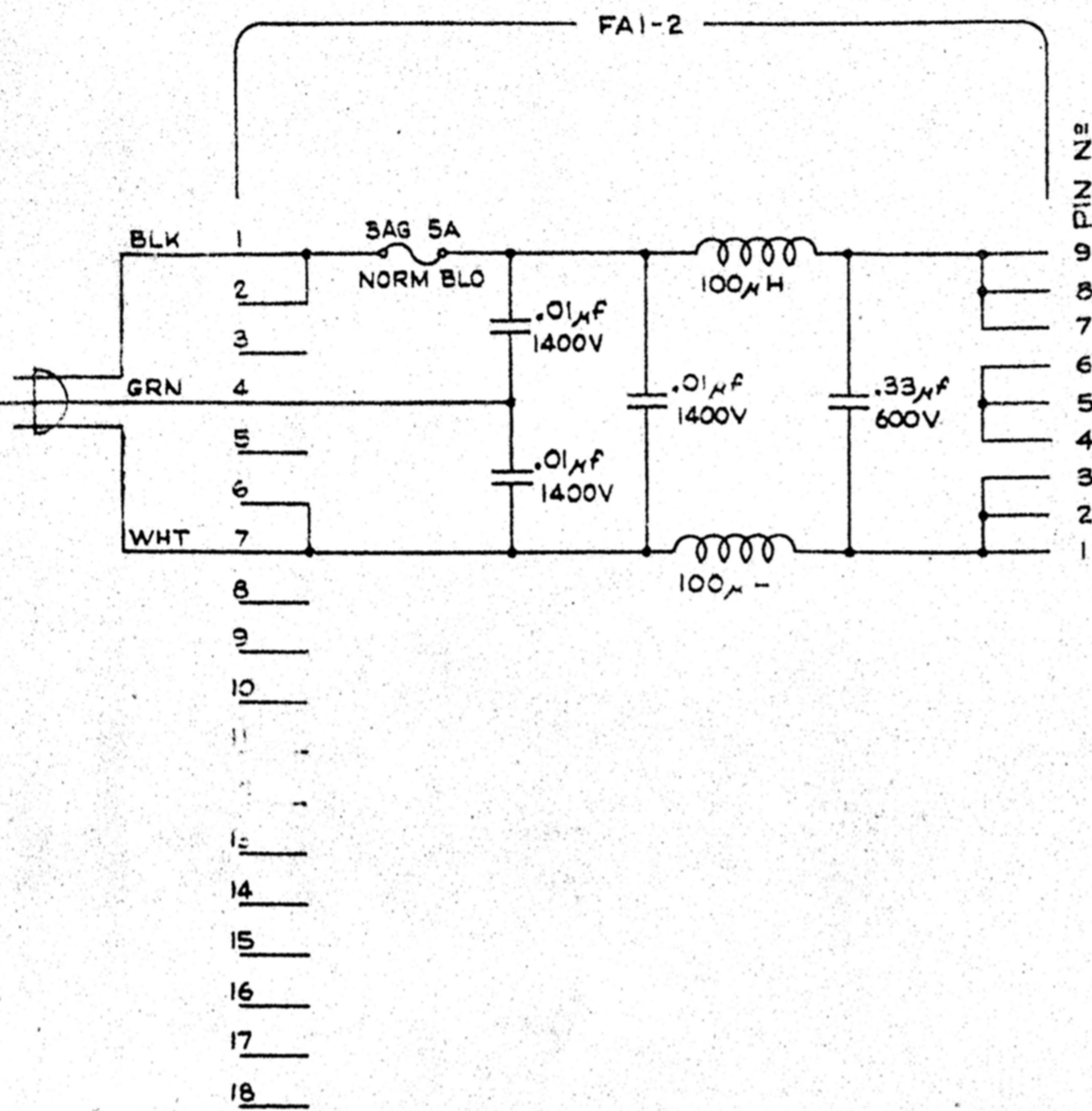
REVISED
 1 RELEASE FOR PROD.
 10-12-76



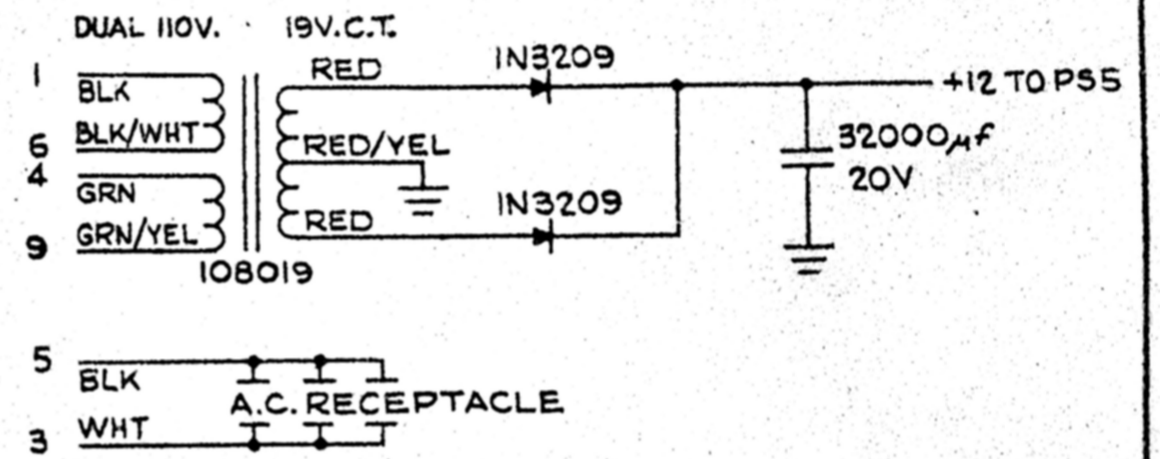
EG-1060A PARTS LAYOUT
 FIGURE 6



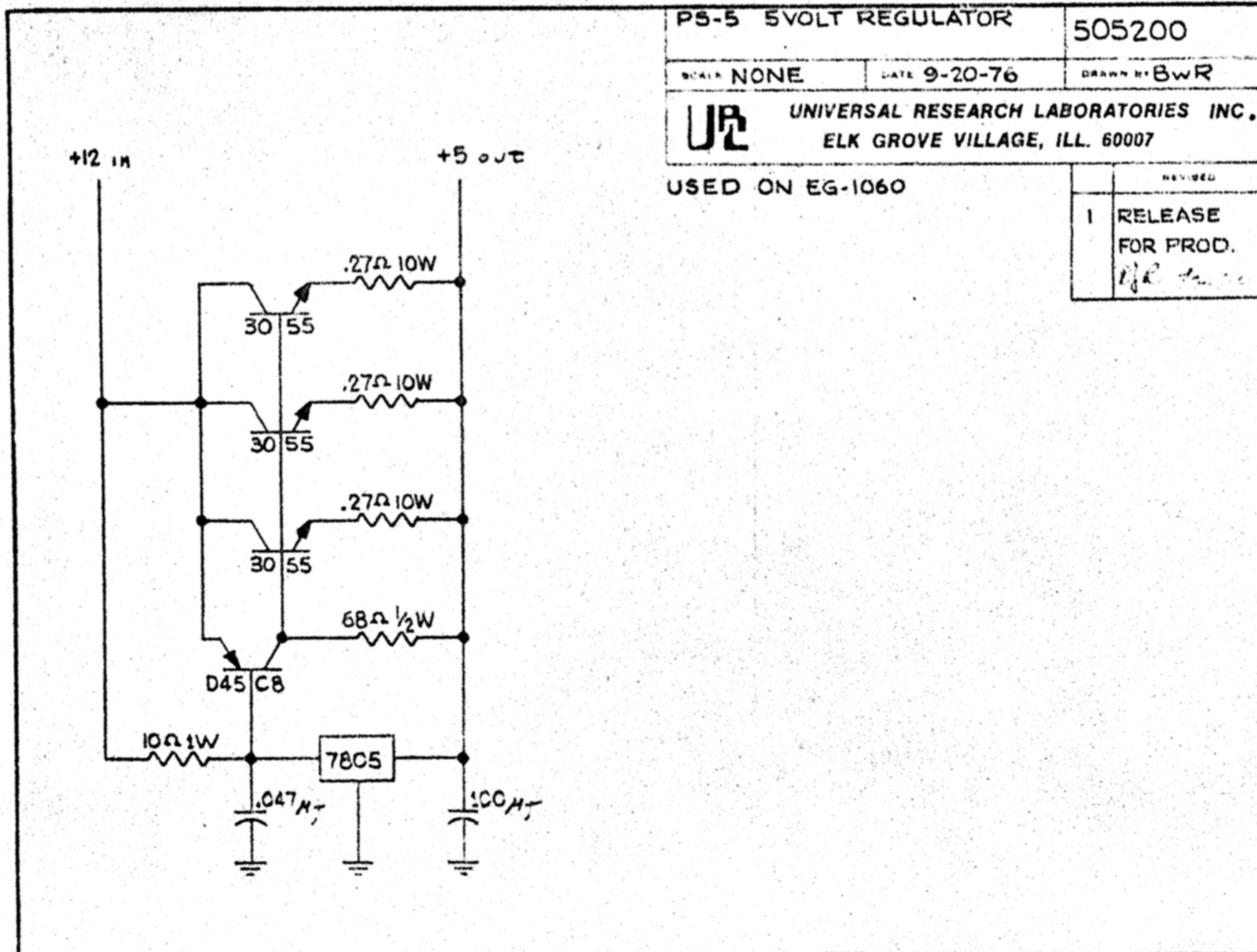
RELEASE
FOR PROD.
WK 10-6-76



FOR 110V SERVICE



FOR 220V SERVICE



USED ON EG-1060

REVISED
1 RELEASE
FOR PROD.
WK 10-6-76