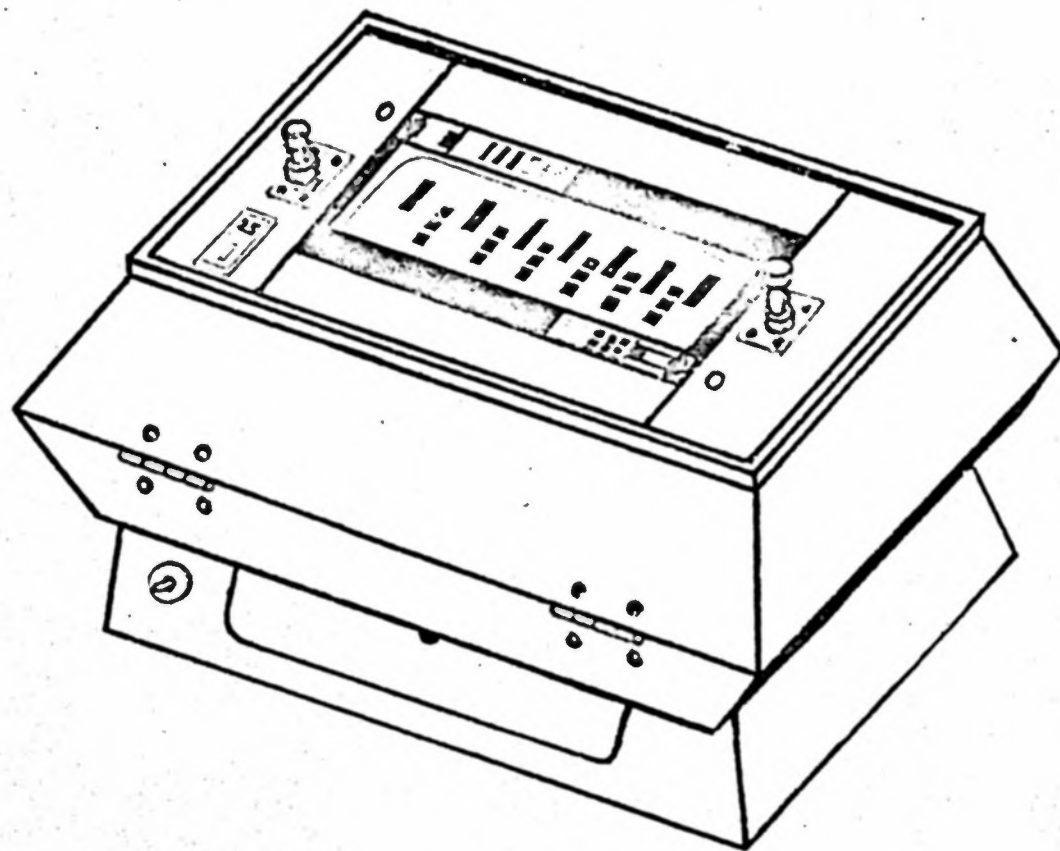


\$2.00

Fötsball

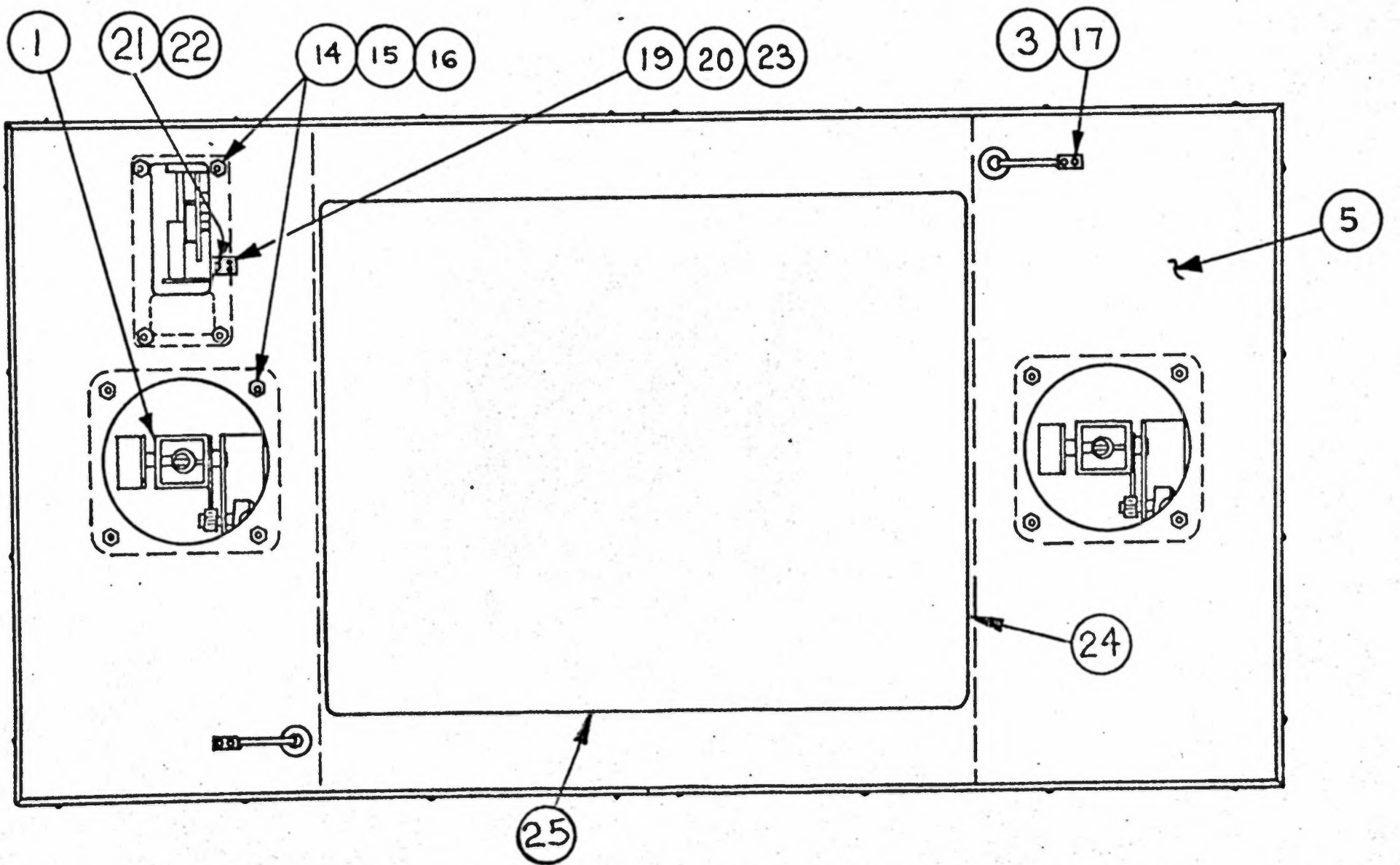
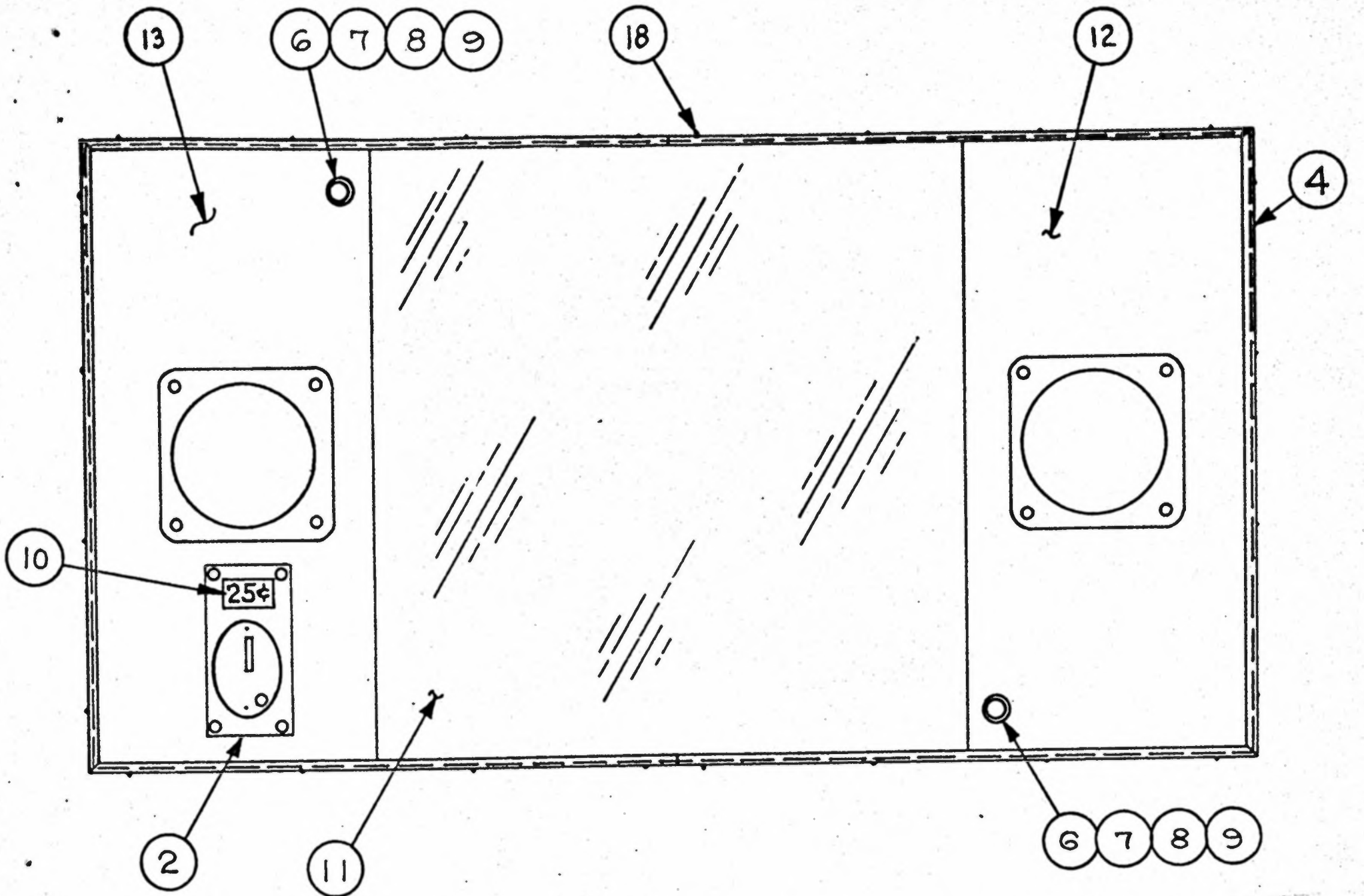
Parts Catalog



Allied Leisure Industries, Inc.

245 WEST 74TH PLACE
HIALEAH, FLORIDA 33010

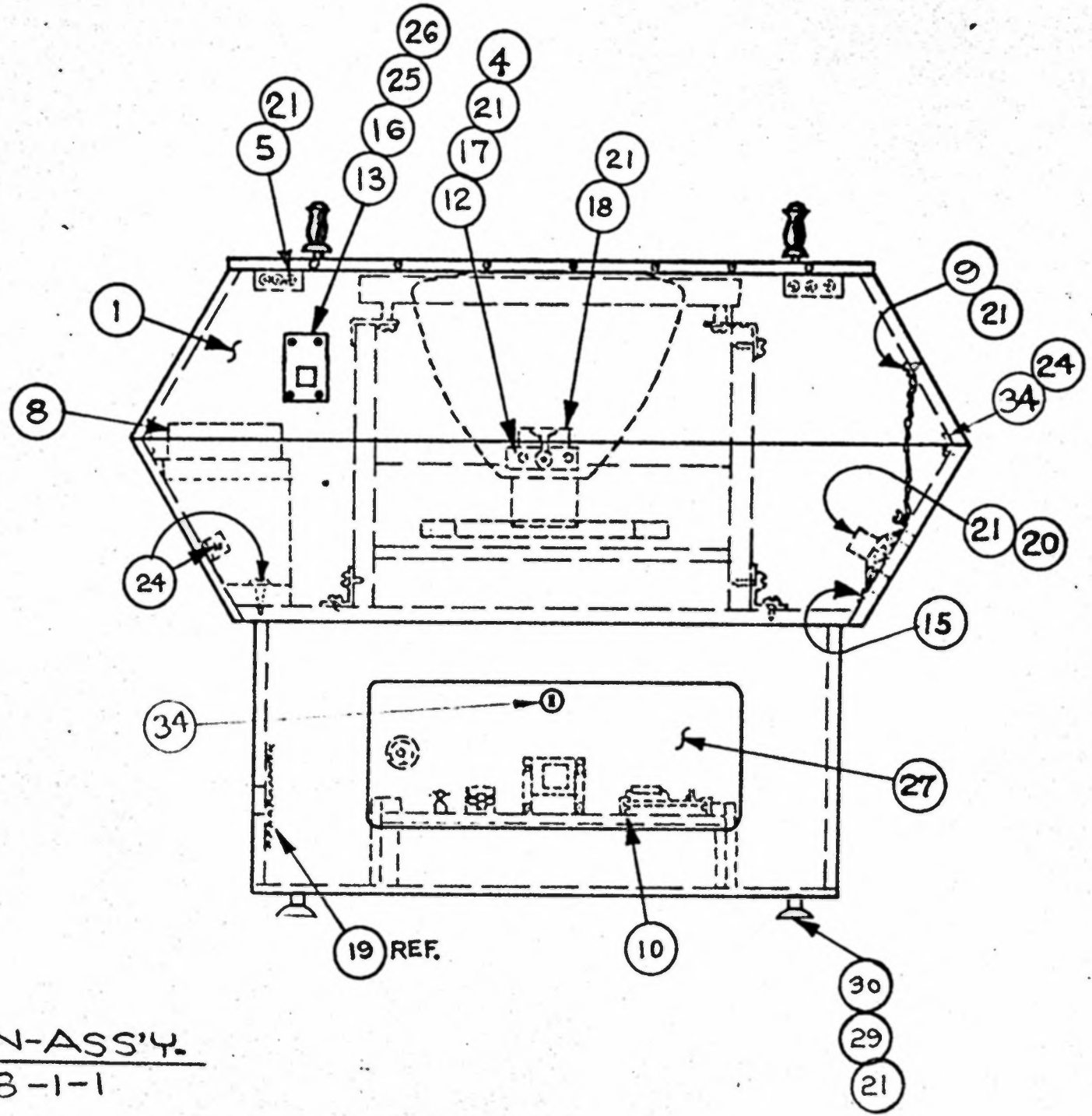
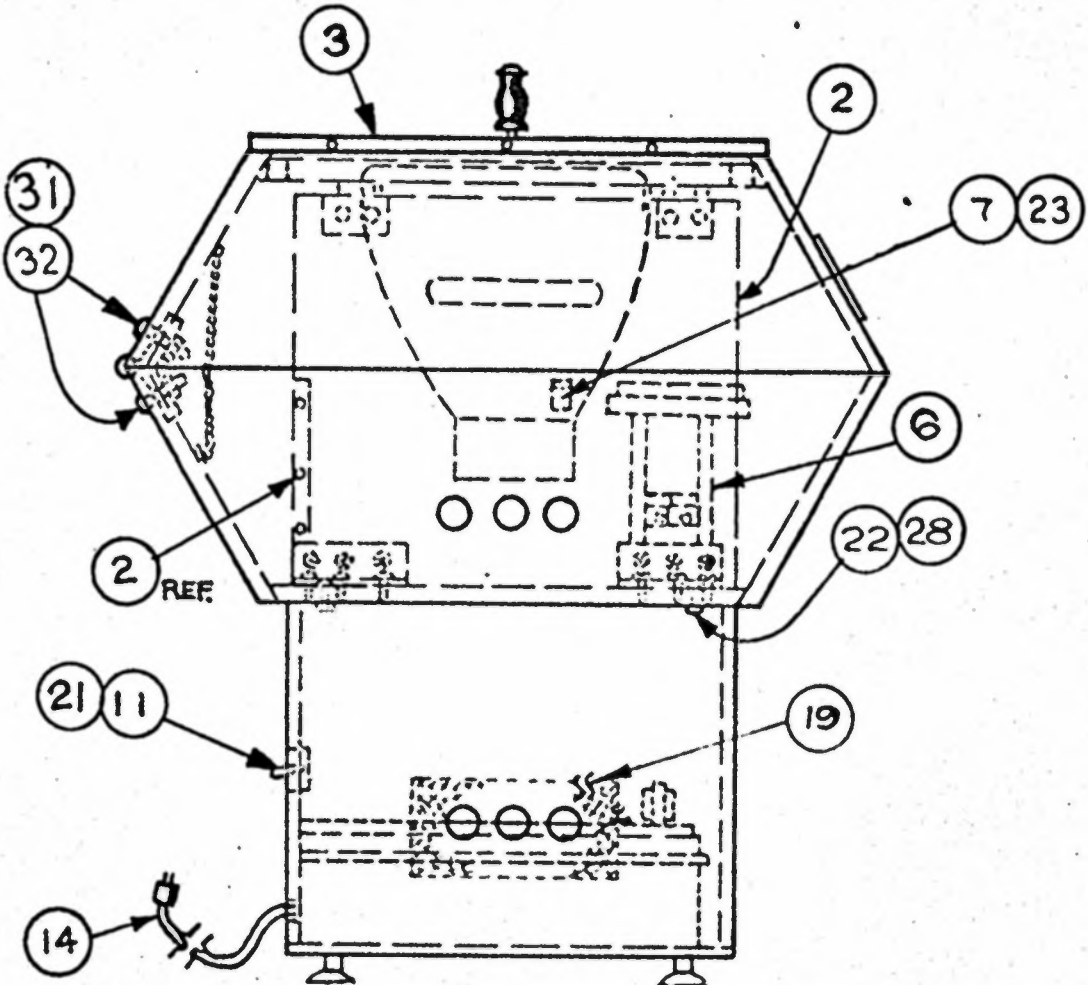
268-10-12



FÖTSBALL CONTROL TOP ASS'Y

P/N 268-1-17

<u>ITEM</u>	<u>PART NO.</u>	<u>DESCRIPTION</u>	<u>QTY.</u>
1	268-1-3	FÖTSBALL JOYSTICK ASSY.	2
2	268-1-32	COIN ACCEPTOR ASSY	1
3	240-71-1	CREDIT SWITCH	2
4	268-3-14	CONTROL TOP ALUM. TRIM	2
5	268-4-2	TOP BOARD (CONTROL)	1
6	235-5-7	PUSH BUTTON	2
7	235-5-35	PUSH BUTTON JACKET	2
8	235-8-32	E-RING # 5133-25	2
9	235-8-50	PUSH ON RETAINER	2
10	235-6-21	COIN PRICE PLATE 25¢	1
11	268-6-4	TOP GLASS	1
12	268-10-16	FORMICA TOP CONTROL BD. #1	1
13	268-10-17	FORMICA TOP CONTROL BD. #2	1
14	10110003	#8-32 X1 1/8" LG. CARRIAGE BOLT	12
15	10130003	#8-32 HEX HEAD NUT	12
16	10190007	3/16" WASHER	12
17	10070011	#4 X1" LG. FL PH WD	4
18	10040051	#4 X 5/8" LG. FLPH SMS	24
19	240-3-45	BRACKET	1
20	10040031	#8 X 5/8" PH PH SMS	2
21	10030001	#4-40 X 3/8" PH PH	1
22	10140001	#4-40 ELASTIC STOP NUT	1
23	10190006	#8 WASHER PLAIN FLAT	1
24	268-10-23	T.V. MASK #2	1
25	268-10-22	T.V. MASK #1	2

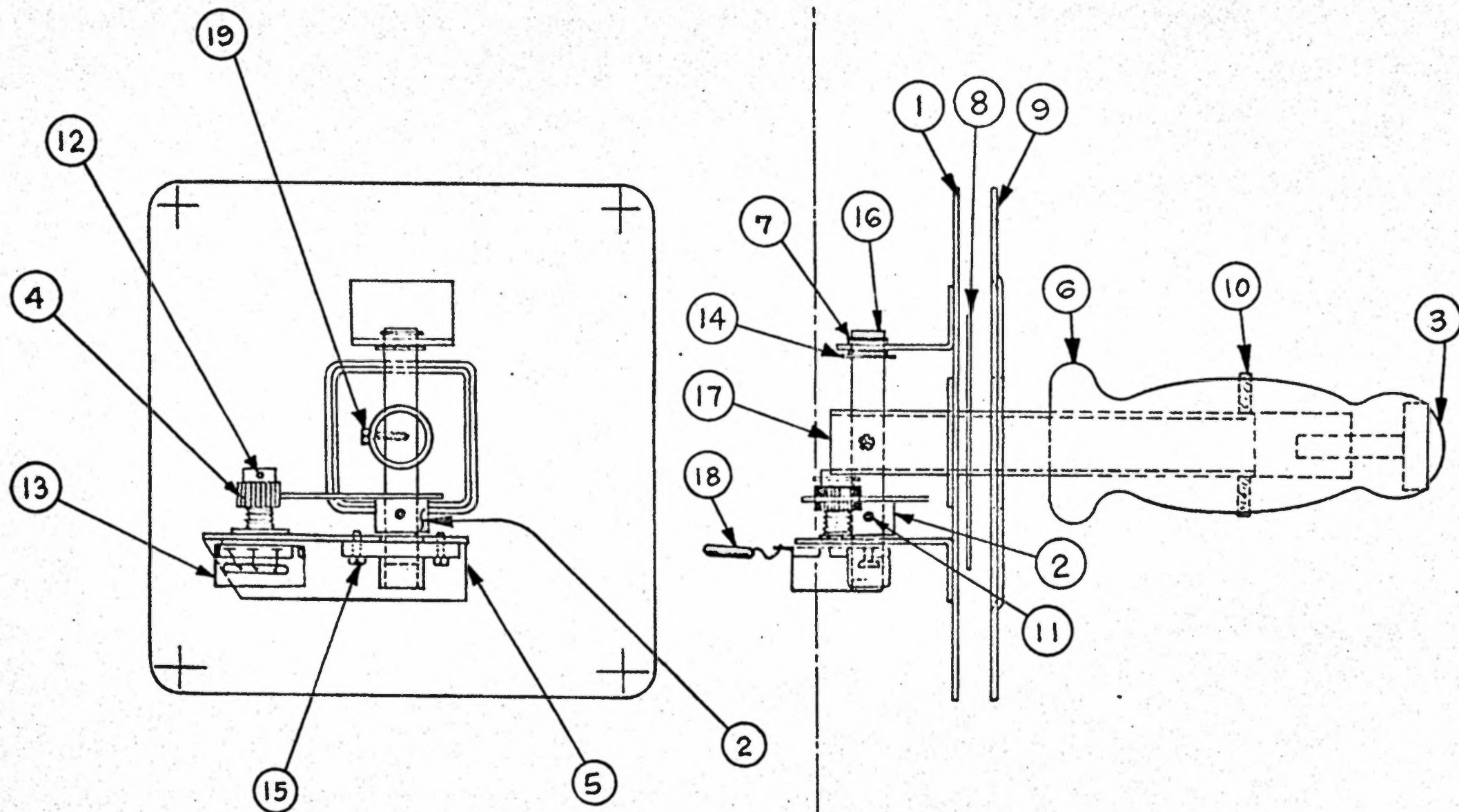


MAIN-ASS'Y.
268-1-1

FÖTSBALL COMPLETE ASS'Y

P/N 268-1-1

<u>ITEM</u>	<u>PART NO.</u>	<u>DESCRIPTION</u>	<u>QTY.</u>
1	268-1-2	CABINET COMPLETE ASS'Y	1
2	268-1-25	TV MOUNTING ASS'Y	1
3	268-1-17	CONTROL TOP ASS'Y	1
4	235-3-12 ⁴	LOCK PLATE RETAINER	1
5	256-3-18	TOP FRONT LIGHT ASS'Y BRK'T	4
6	268-1-27	CASH BOX WOOD SUPP. ASS'Y	1
7	244-9-21	COUNTER 24 V DC	1
8	268-1-23	CASH BOX ASS'Y	1
9	268-3-15	LID CHAIN (FÖTSBALL)	1
10	268-1-20	FÖTSBALL POWER SUPP. ASS'Y	1
11	235-1-34	ON-OFF SWITCH ASS'Y	1
12	240-8-45	KEY LOCK	1
13	231-1-39	COIN CUP	1
14	240-9-40	POWER CORD	1
15	268-3-16	ALUM. WINDOW SCREEN #	1
16	231-3-70	COIN CUP PLATE	1
17	268-3-1	LOCK TONGUE	1
18	268-3-2	LOCK CATCH	1
19	268-3-17	ALUM. WINDOW SCREEN #2	3
20	WITH T.V. SET	SPEAKER	1
21	10040031	#8 X 5/8" PH PH SMS	53
22	10030006	5/16 X 1/8 X 1" PH PH SMS	4
23	10040050	#6 X 5/8" PH PH SMS	2
24	10040027	#8 X 1" PH PH SMS	8
25	10110007	#10 -32 X 1" CARRIAGE BOLT	4
26	10130004	#10 -32 HEX HEAD NUT	4
27	268-1-29	FRONT DOOR ASS'Y	1
28	10180005	5/16 X 1/8 X 5/8" T NUTS	4
29	235-8-9	LEG LEVELERS	4
30	240-3-46	LEG LEVELERS PLATE	4
31	268-3-12	FÖTSBALL HINGE	2
32	10110015	1/4-20 X 1" CARRIAGE BOLTS	8
33	10130008	1/4-20 HEX HEAD NUT	8
34	240-8-45	(2) KEY LOCK (DEFF.)	1
35	268-3-26	CABINET TOP GUIDE BRK'T	2
36	268-3-30	LOCK BRK'T	2

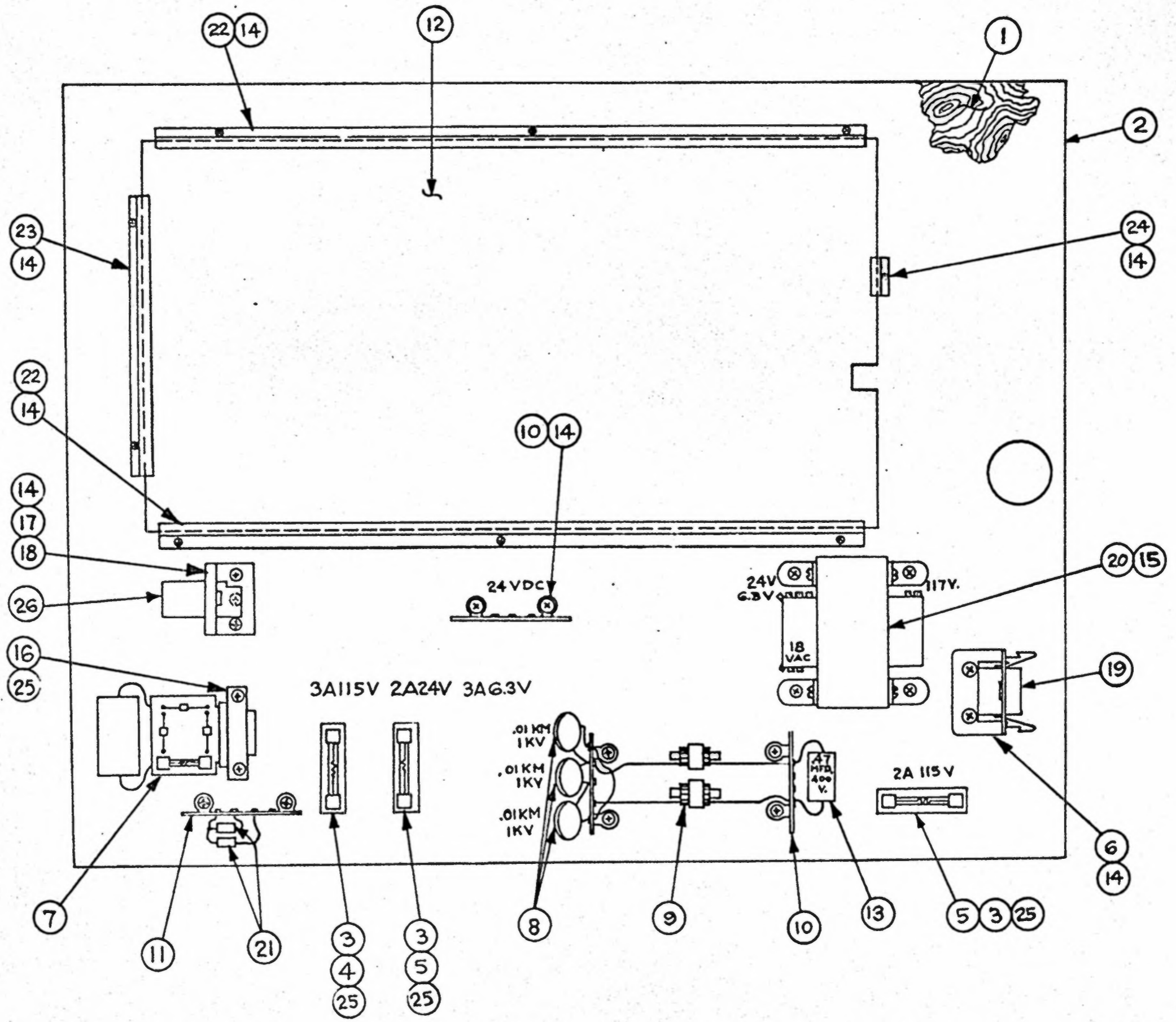


JOYSTICK ASS'Y.
268-1-3

FÖTSBALL JOYSTICK ASS'Y

P/N 268-1-3

<u>ITEM</u>	<u>PART NO.</u>	<u>DESCRIPTION</u>	<u>QTY.</u>
1	265-1-10	WELDMENT JOYSTICK BASE	1
2	268-1-4	DRIVE GEAR & HUB ASS'Y	1
3	235-5-24	HANDLE BUTTON	1
4	265-2-5A	GEAR POT DRIVE PINION	1
5	235-5-36	FLANGED NYLON BEARING	1
6	268-10-11	HANDLE	1
7	265-8-3	NYLINER BUSHING	1
8	265-3-12	DISC. JOYSTICK	1
9	265-3-7	PLATE JOYSTICK COVER	1
10	10060006	#10-32 X $\frac{1}{4}$ LG. SET SCREW	2
11	10060004	#8-32 X $\frac{1}{4}$ LG. SET SCREW	2
12	10060002	#6-32 X $\frac{1}{4}$ LG. SET SCREW	2
13	244-9-8	POTENTIOMETER 5K OHM	1
14	235-8-33	E-RING	1
15	10020002	#6-32 X $\frac{3}{8}$ " WHIZ SCREW	2
16	268-2-1	PIVOT SHAFT	1
17	268-2-2	JOYSTICK TUBE (HANDLE)	1
18	244-9-6	.01 MFD @ 1 K V CAPACITOR	1
19	10080017	#6-32 X $\frac{1}{2}$ " CAP SCREW	1



POWER SUPPLY BOARD ASSY.
 268-1-20

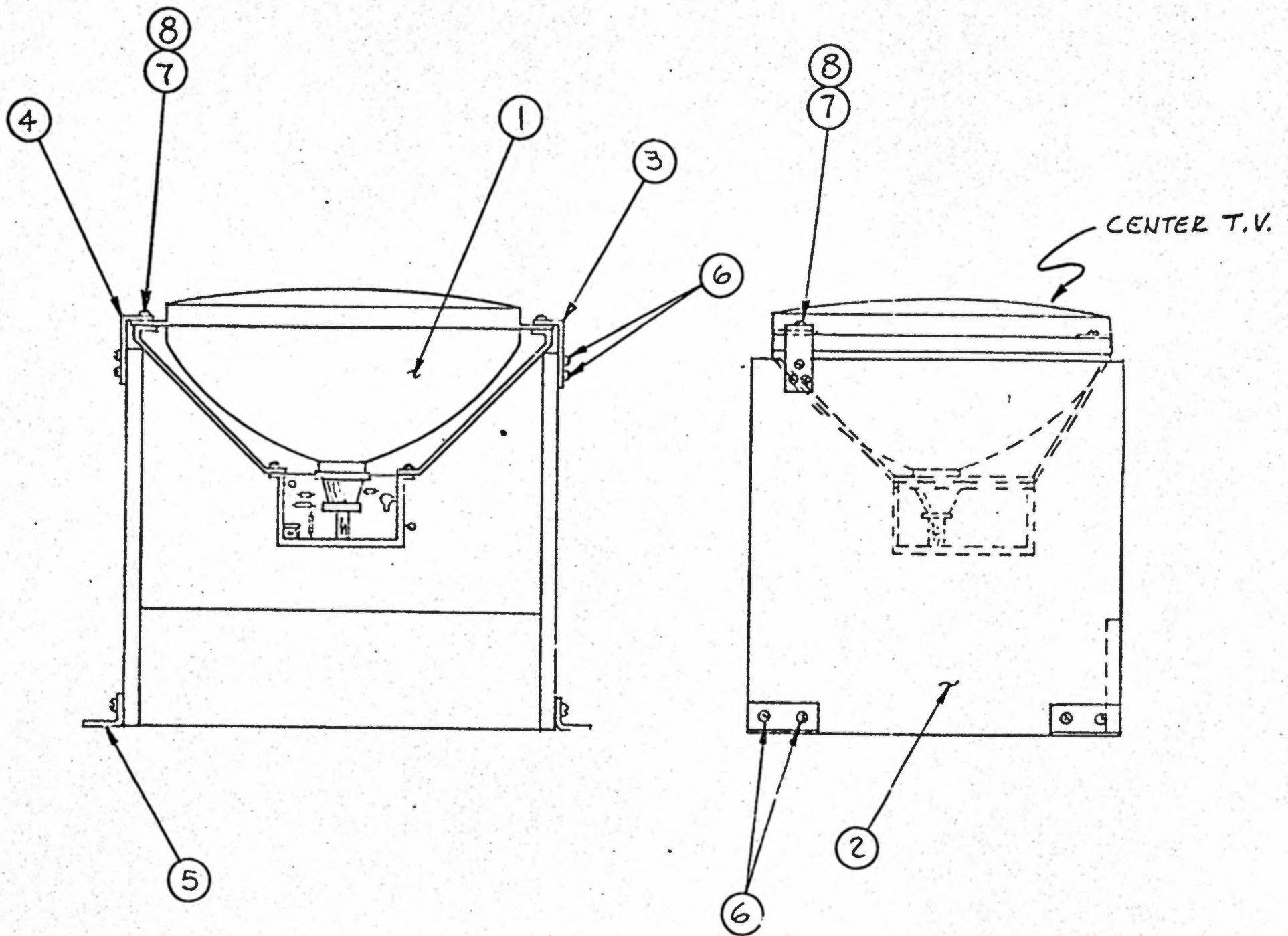
FÖTSBALL POWER SUPP. ASS'Y.

P/N 268-1-20

<u>ITEM</u>	<u>PART NO.</u>	<u>DESCRIPTION</u>	<u>QTY.</u>
1	268-4-1	FÖTSBALL POWER SUPP. BRD.	1
2	268-6-3	FÖTSBALL POWER SUPP. CARD BRD.	1
3	263-10-24	FUSE HOLDER	3
4	235-9-33	3 AMP FUSE F/B	1
5	244-9-11	2 AMP FUSE S/B	2
6	240-3-169	12 PIN MNL BRACKET	1
7	272-1-6	24 V P.C. B. RECTIFIER ASSY.	1
8	259-9-6	.01 MF .1 K V	3
9	244-9-3	LINE FILTER	2
10	235-9-41	TERMINAL STRIP 3 LUG	3
11	235-9-38	TERMINAL STRIP 4 LUG	1
12	268-9-1	P.C. B. LOGIC	1
13	244-9-4	.47 MFD 400 V CAPACITOR	1
14	10040031	#8 X 5/8" PH PH SMS	21
15	10040036	#10 X 3/4" PH PH SMS	4
16	240-3-50	6 PIN EDGE CONNECTOR	1
17	250-3-11	RELAY BRACKET -1- SMALL	1
18	235-9-15	RELAY SOCKET	1
19	235-9-73	12 PIN MNL CONN.	1
20	265-9-3	TRANSFOMER	1
21	240-9-114	DIODE #BA2C5	2
22	268-10-18	LOGIC BOARD TRIM # 1	2
23	268-10-19	LOGIC BOARD TRIM # 2	1
24	268-10-20	LOGIC BOARD TRIM # 3	1
25	10040051	#4 X 5/8" FH PH SMS	4
26	235-9-1	RELAY 24 V (SMALL)	1

FOTSBALL T.V. MOUNTING ASS'Y

P/N 268-1-25



ITEM	PART NO.	DESCRIPTION	QTY
1	268-1-4	23" T.V. MONITOR (MOTOROLA)	1
2	268-1-31	T.V. MOUNTING SUPP. ASS'Y.	1
3	268-3-25	NEW T.V. MOUNTING BRK'T R.H.	1
4	268-3-24	NEW T.V. MOUNTING BRK'T L.H.	1
5	268-3-21	T.V. MOUNTING ASS'Y BRKIT	4
6	10040031	#8 x 5/8" PH/PH/SMS	14
7	10080007	1/4-20 X 1" HEX HEAD/C.S.	2
8	10130008	1/4-20 HEX NUT	2