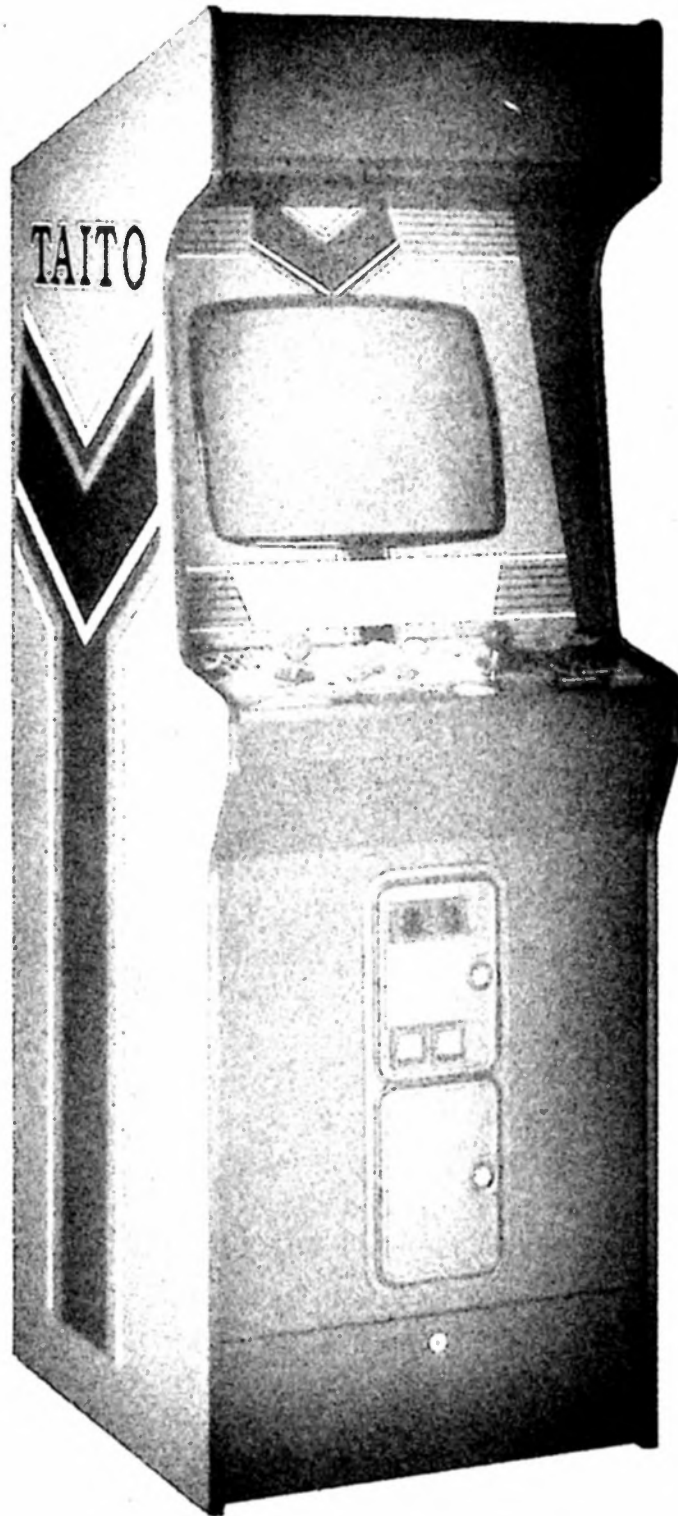


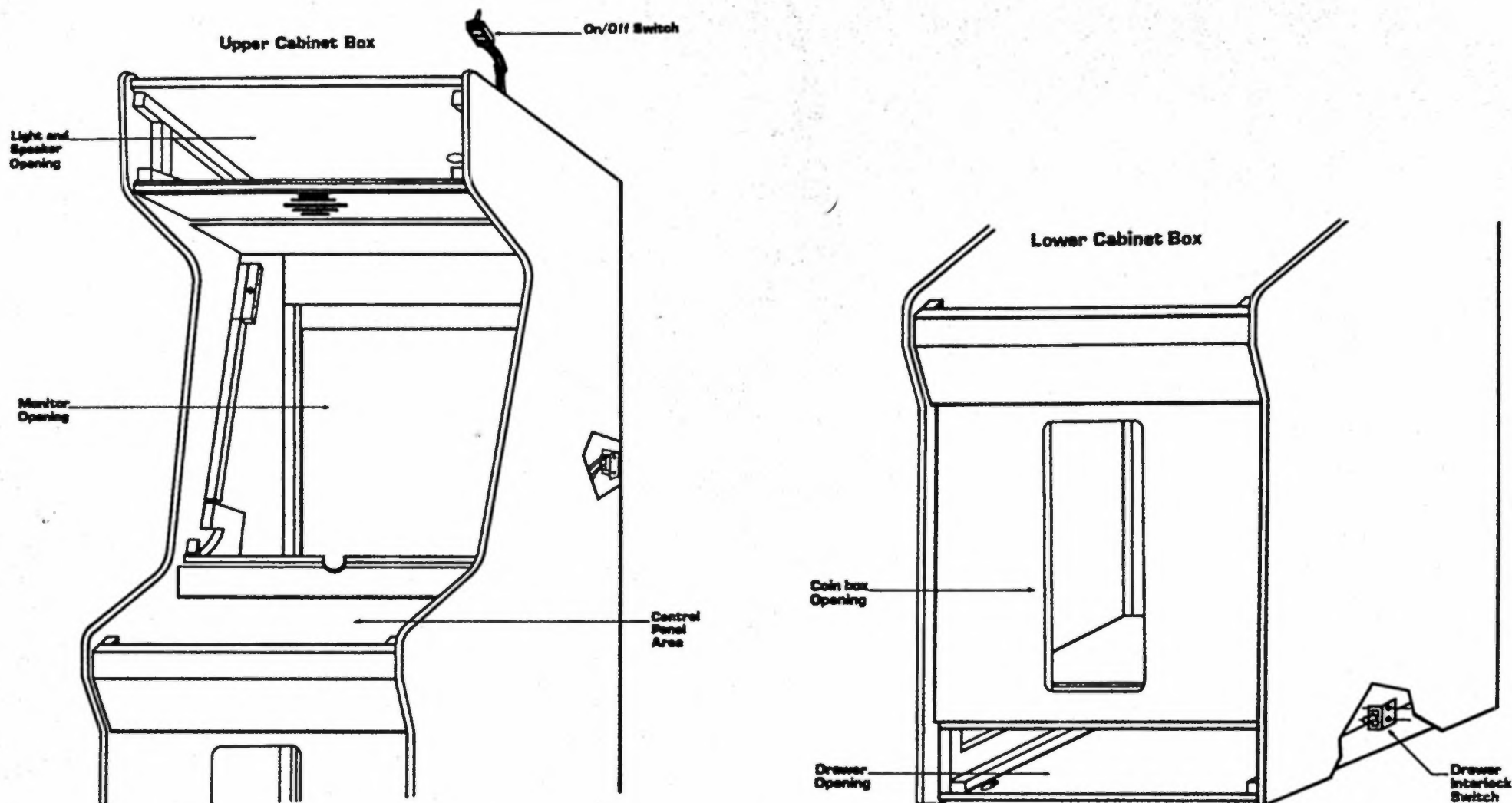


TAITO AMERICA CORPORATION



**G.T.C. 100 UNIVERSAL CABINET
SERVICE INSTRUCTIONS**

TAITO AMERICA CORPORATION
660 Wheeling Rd. Wheeling, IL 60090
(312) 520-9280. Telex 25-3290. FAX (312) 520-1309



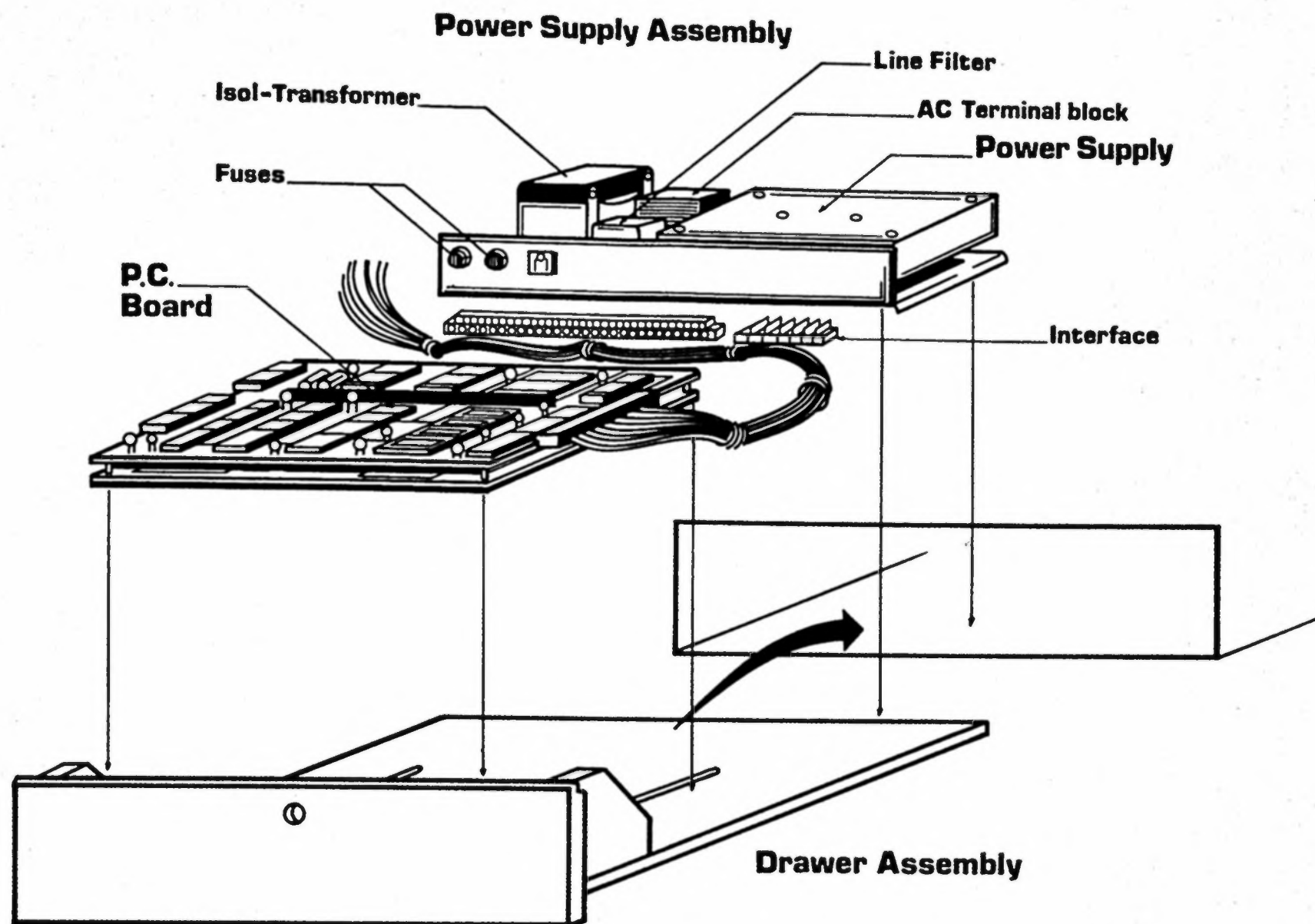
MONITOR ACCESS

NOTE: Before beginning, switch off power via the toggle switch located on top of cabinet.

For access to the monitor, open coin door, and reach in to unlock the two lock clamps located just under the control panel. (One on each side panel) Unlock by pushing up on clamps. The Control Panel can now be lifted off and set down in front of unit. Carefully remove glass from unit, (Lifting up and out of slots) and set aside, then remove the graphic panel that surrounds the monitor. Remove the two thumb screws located at the top corners of the monitor mounting board. This now allows the monitor to be swung forward from the top. Swing monitor down until it stops. This allows access to the wiring behind the monitor without removing it from the cabinet. The monitor's wiring consists of a Power Connector, (1 Plug) a Signal Connector, (2 Plugs) and a Chassis Ground, (1 Wire). Disconnecting these will free the monitor to be taken out of cabinet. Use hand slots on mounting board for removal.

INTERLOCK SWITCH

The Interlock switch is located inside the cabinet, mounted at the bottom of the right side panel. Its purpose is to automatically disconnect power to the game when the drawer assembly is pulled out. To return power while the drawer assembly is out, pull the white knob on the Interlock switch out. To turn off again, push in and let go. When the drawer assembly is slid back into the game, power will automatically return.



DRAWER ASSEMBLY

The Drawer Assembly is the convenient location for the units power supply and P.C. Board. Located at the base of the cabinet, simply unlock, and pull out for access. The above illustration shows the required components, and their placement in the drawer.

LEVELERS

4 levelers are provided for the cabinet, located in a poly-bag in the coin drop box. To install, lean cabinet back and screw the two front ones into the corner T-Nuts under cabinet. Lean unit forward and repeat for the rear ones, then adjust until cabinet is level.

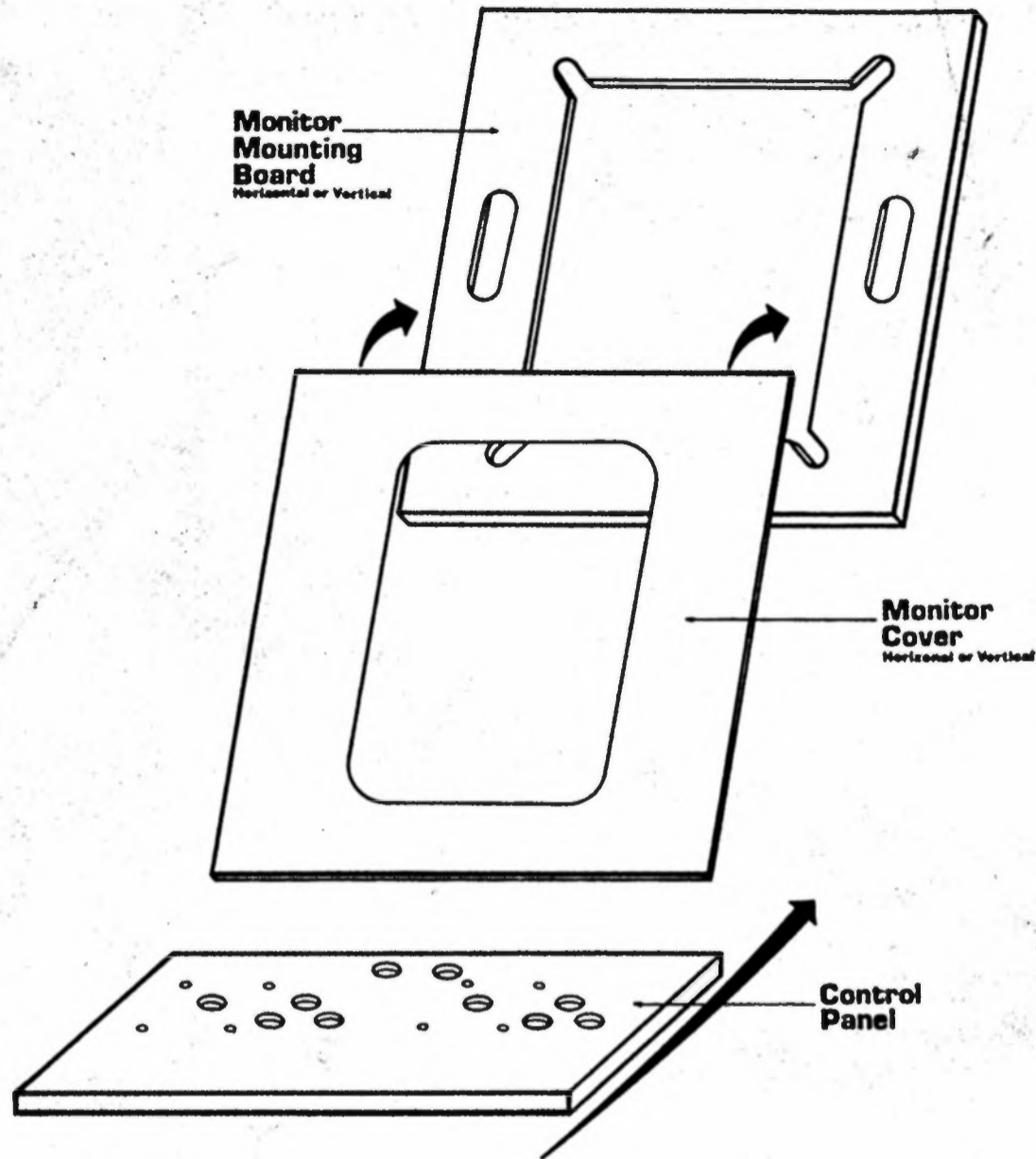
SERVICE SWITCH

The service switch is a yellow button, accessible through the coin door, and just to the right. Pushing the button adds credits to the game. For each activation, one credit is added.

MONITOR MOUNTING BOARD

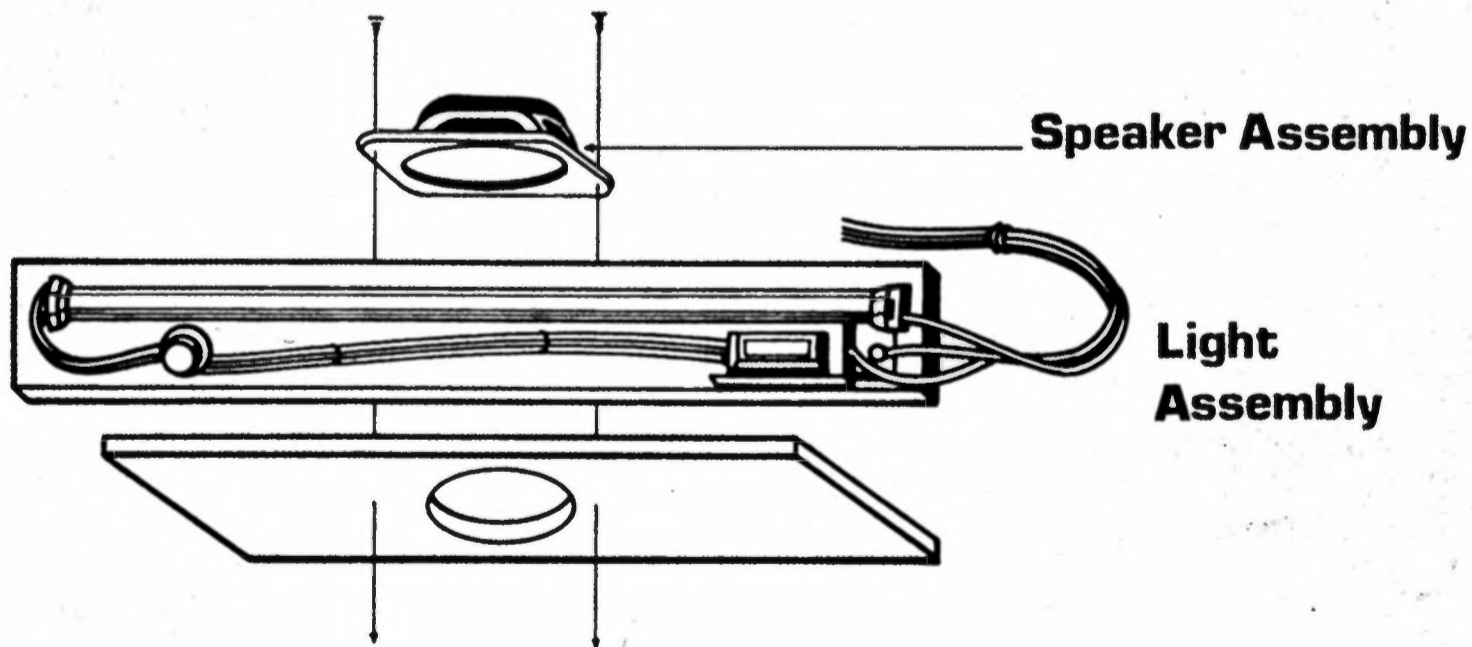
The monitor mounting board has the feature of holding the monitor in a horizontal or vertical position. To change either way, simply remove the two thumb screws at the top corners, pull board and monitor out, rotate to side with screw holes at top, and return thumb screws.

NOTE: Use hand slots provided in board when removing to rotate.



CONTROL BOARD WIRING ACCESS

To gain access to the control board wiring, follow the directions in the first paragraph of the MONITOR ACCESS Section.



SPEAKER & LIGHT ASSEMBLY

For access to the speaker & light assembly, remove the two screws located on the top of the cabinet, above the lit graphic panel. This will release the metal "L" bracket, allowing the graphic panel to be slid up and off. The light assembly is now accessible for a replacement bulb. For speaker access, remove the two screws located at each side of the bulb, and pull assembly out of cabinet. Speaker is located behind bulb. To disconnect entire assembly, unplug the power, and speaker lead wires, then remove ground wire.