

GOBBLER

SCHEMATIC DIAGRAM

GOBBLER / ██████████
REPAIRING INSTRUCTION

In case that the sound disappears:

1. Install a condenser of 100 pico between No.7 & 8 pins of 74LS161 in the adress of R.
2. Replace the 74LS161 when the above treatment is not sufficient.

In case that the same screen repeats:

1. Adjust the 5V voltage exactly.
2. Install a condenser of 100 pico between No.3 & No.7 pins, No.5 & No.6 pins, No.5 & No.7, or No. 11 & No.14 pins of 74LS74 in the adress of 8C.
3. Install a condenser of 100 pico between No.7 & No.9 pins of 74LS08 in the adress of 5D.
4. When flickering appears owing to the above treatment, install a condenser of 30 - 100 pico between No.4 & NO.12 in the adress of 1B(Empty).

In case that the sound is hoarse:

Install a condenser of 100 pico between No.10 & No.11 pins of 74LS273 in the adress of 2M.

GOBBLER/PUCK MAN

INSTRUCTION OF DIP SWITCH

PLAY - COIN

1 Coin 1 Game :	NO.1 OFF	NO.2 ON
2 Coins 1 Game:	NO.1 OFF	NO.2 OFF
1 Coin 2 Games:	NO.1 ON	NO.2 OFF
Free Play :	NO.1 ON	NO.2 ON

Number of PUCKMAN

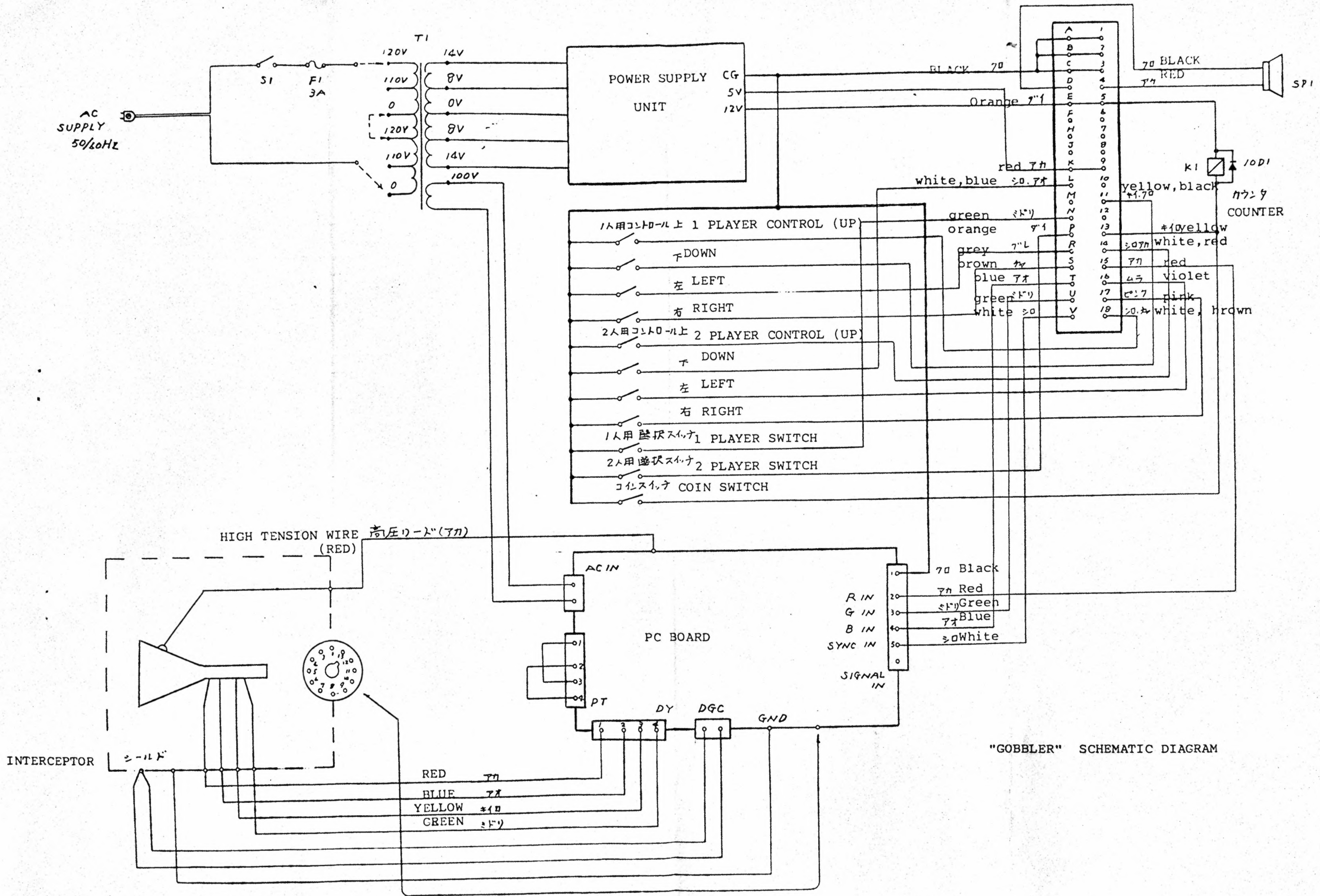
1	NO.3 ON	NO.4 ON
2	NO.2 OFF	NO.4 ON
3	NO.3 ON	NO.4 OFF
5	NO.3 OFF	NO.4 OFF

BONUS POINT

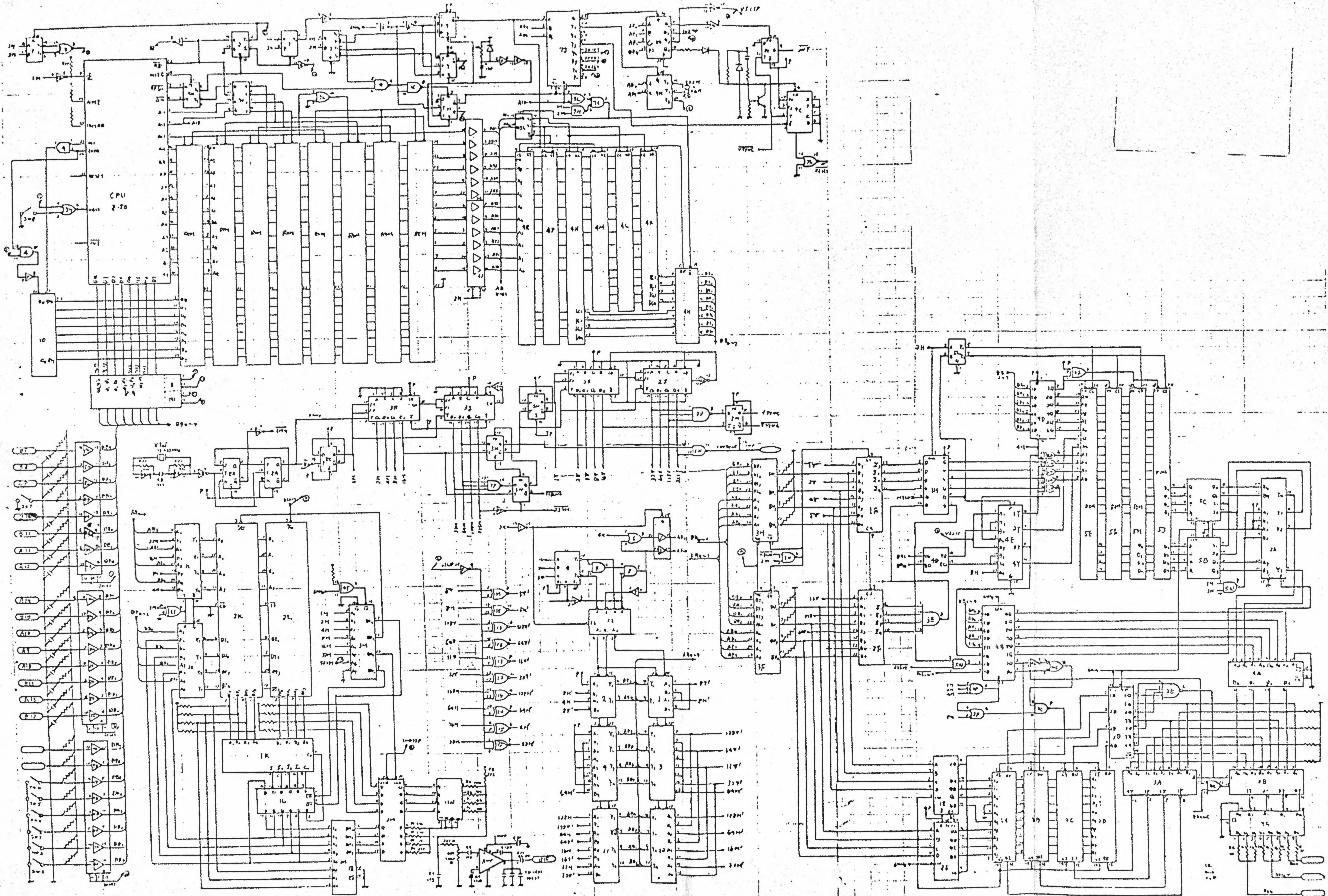
Without Bonus	NO.5 OFF	NO.6 OFF
10000	NO.5 ON	No.6 ON
15000	NO.5 OFF	NO.6 ON
20000	NO.5 ON	NO.6 OFF

NO.8 & 7 are not used.

Note: #7 is test switch, flip switch & coin up unit
Press 1 player button & game will go thru
entire sequence of operation.



"GOBLER" SCHEMATIC DIAGRAM



14 PACMAN