

GREAT GUNS

SCHEMATICS



Stern Electronics, Inc./700 Chase
Elk Grove Village, Illinois 60007
(312) 981-9600 Telex: 254657



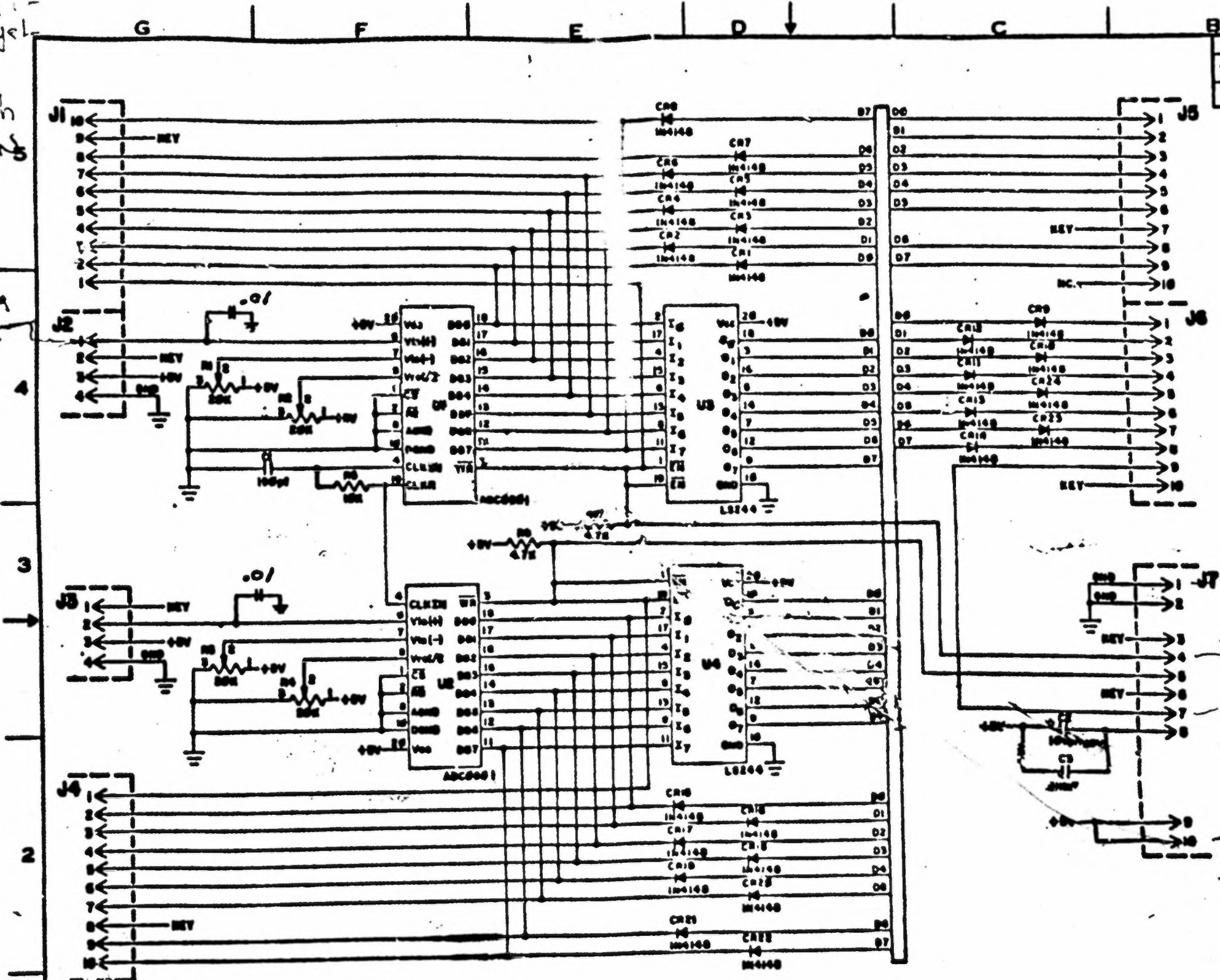
TOLL-FREE
Service No.
(800) 621-6424

12G-10-221 S

Grey/Yel
Grey/Wh
Grey/Orn

+5

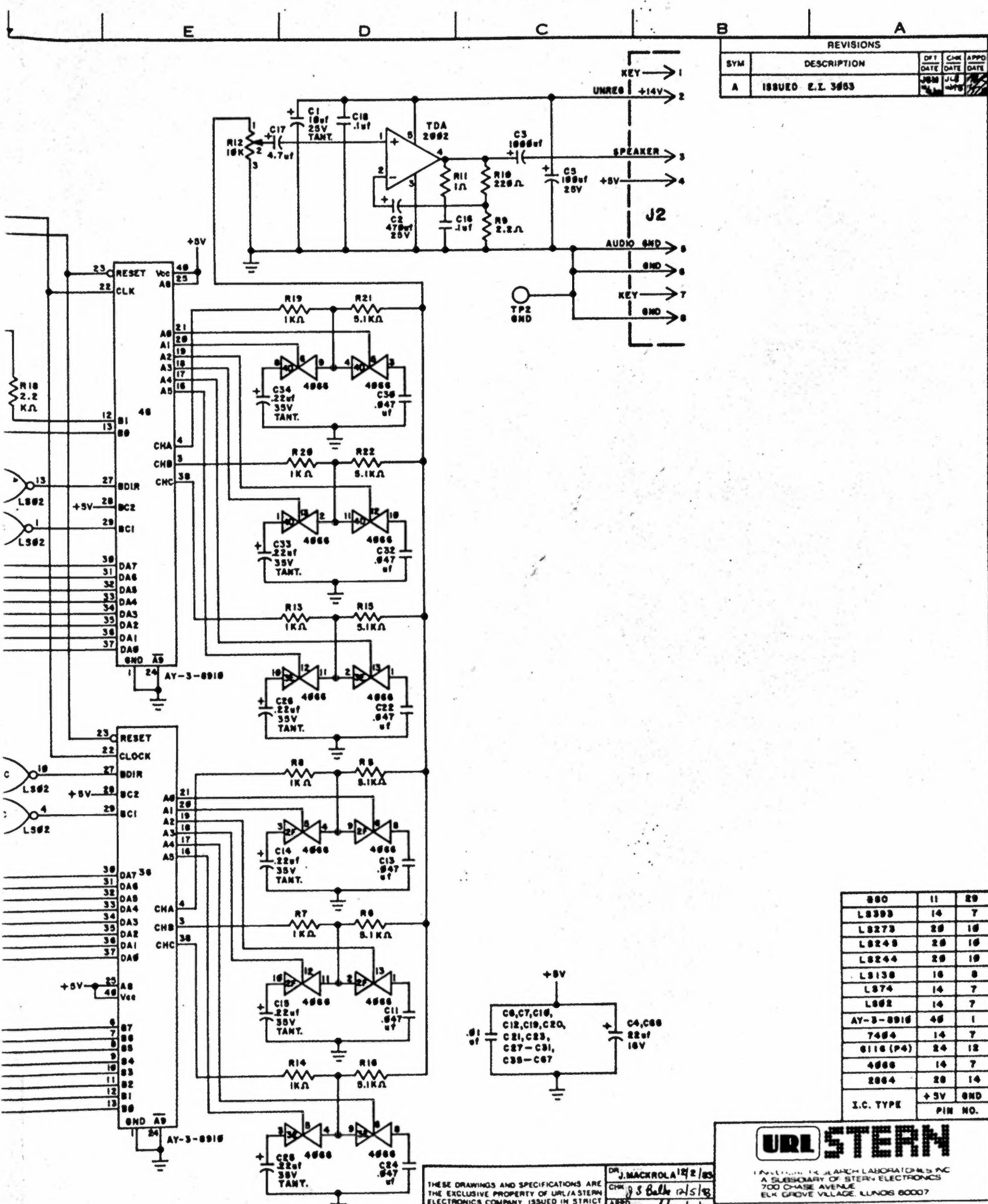
REVISIONS	
SYM	DESCRIPTION
A	ISSUED E.I.



ADC0801

THESE DRAWINGS AND SPECIFICATIONS ARE THE EXCLUSIVE PROPERTY OF UNIVERTEC CORPORATION. COMPANY ISSUES NO OTHER COPIES AND SHALL NOT BE RESPONSIBLE FOR ANY REPRODUCTION OR TRANSMISSION OF THIS DRAWING OR SPECIFICATION, IN ANY FORM OR BY ANY MEANS, WITHOUT THE WRITTEN PERMISSION OF UNIVERTEC CORPORATION. THIS DRAWING IS THE PROPERTY OF UNIVERTEC CORPORATION AND IS TO BE KEPT IN CONFIDENTIALITY.

ADC0801	LS244	LS148	LS147	LS149
IC TYPE				
UNIVERTEC				
PARTIAL TO UNIVERTEC CORPORATION A DIVISION OF UNIVERTEC CORPORATION UNIVERSITY MICROFILMS INTERNATIONAL				
NAME SCHEMATIC, UNIVERTEC				
INTERFACE BOARD P.C.				
DATE	REV	DATE	REV	DATE
11/10/82	1	11/10/82	1	11/10/82
34C-250 B				



REVISIONS				
SYM	DESCRIPTION	DF1 DATE	CHK DATE	APPO DATE
A	ISSUED E.I. 3663	JSM	JLS	

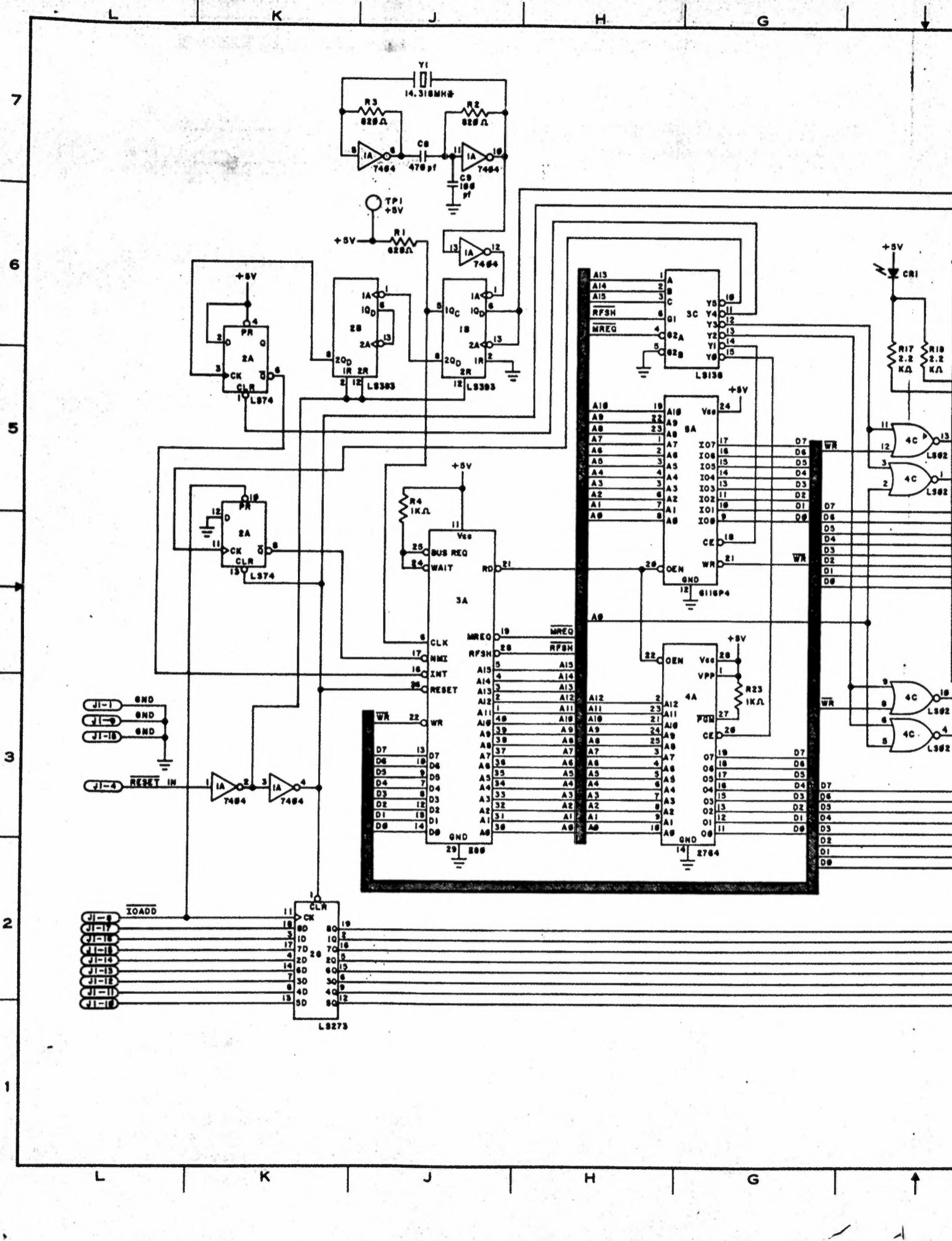
880	11	29
L802	14	7
L8273	20	10
L8248	20	10
L8244	20	10
L8130	10	8
L874	14	7
L802	14	7
AY-3-8918	40	1
7464	14	7
6116 (P4)	24	12
4000	14	7
2004	20	14
I.C. TYPE	+5V	GND
	PIR NO.	

THESE DRAWINGS AND SPECIFICATIONS ARE THE EXCLUSIVE PROPERTY OF URL/ASTERN ELECTRONICS COMPANY ISSUED IN STRICT CONFIDENCE AND SHALL NOT WITHOUT THE PRIOR WRITTEN PERMISSION OF UNIVERSAL RESEARCH LABORATORIES BE REPRODUCED COPIED, OR USED FOR ANY PURPOSE WHATSOEVER EXCEPT THE MANUFACTURE OF ARTICLES FOR UNIVERSAL RESEARCH LABORATORIES INC

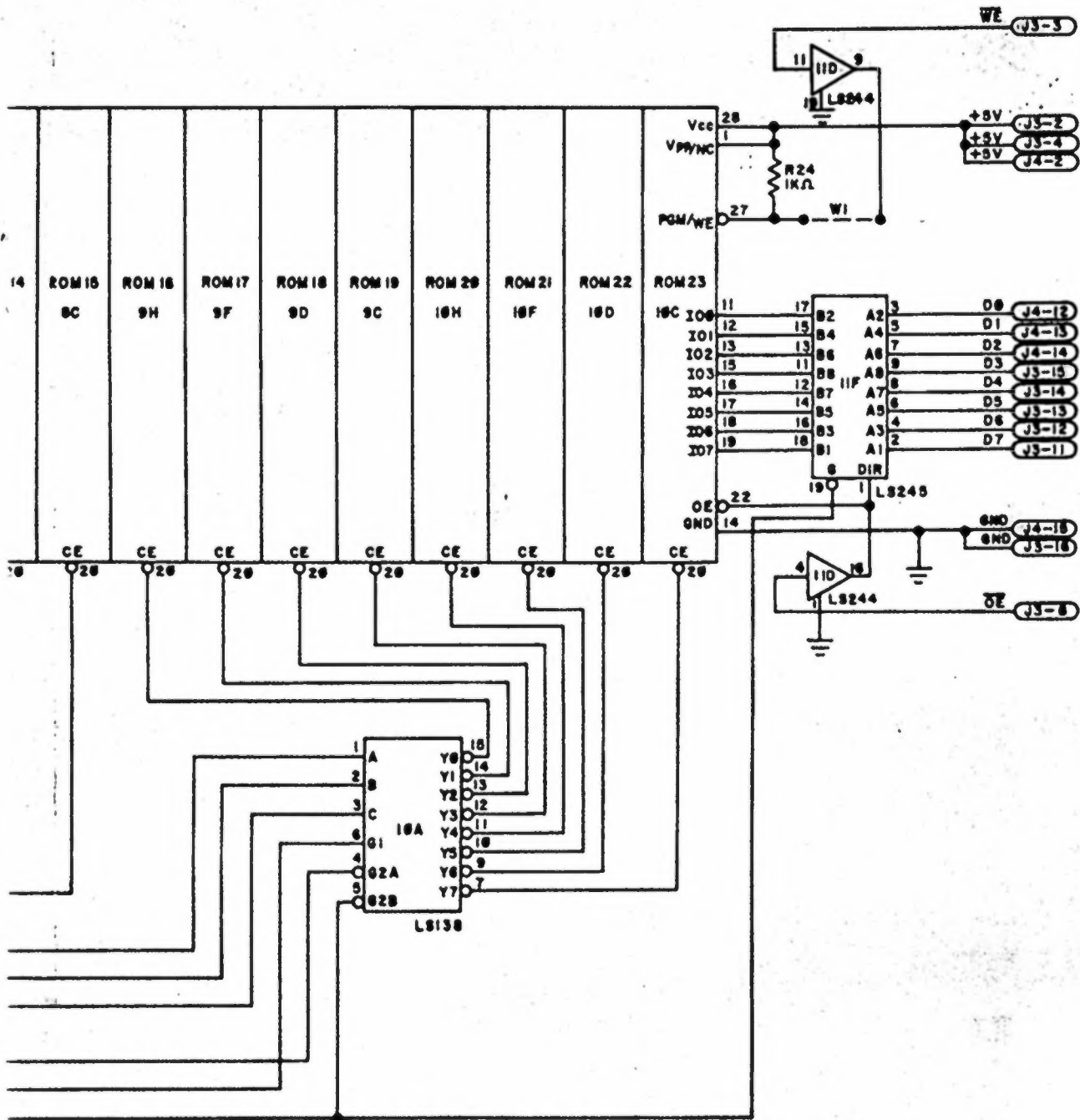
DR. J. MACKROLA 1/2/83
 CHK: J.S. Ballo 12/5/83
 SCALE: MODEL P38-1000
 DO NOT SCALE DRAWING

URL STERN
 UNIVERSAL RESEARCH LABORATORIES INC
 A DIVISION OF STERN ELECTRONICS
 700 CHASE AVENUE
 ELK GROVE VILLAGE, ILLINOIS 60007

NAME: **PROM 8 SOUND P.C. BOARD**
 PART NO: **340-2670-S**
 SHEET 1 OF 2
 REV. A



REVISIONS				
SYM	DESCRIPTION	DF1 DATE	CHK DATE	APPD DATE
A	ISSUED E.I. 3053	JSM	JLS	



34D-2670-S

THESE DRAWINGS AND SPECIFICATIONS ARE THE EXCLUSIVE PROPERTY OF URL/ASTERN ELECTRONICS COMPANY ISSUED IN STRICT CONFIDENCE AND SHALL NOT WITHOUT THE PRIOR WRITTEN PERMISSION OF UNIVERSAL RESEARCH LABORATORIES BE REPRODUCED COPIED OR USED FOR ANY PURPOSE WHATSOEVER EXCEPT THE MANUFACTURE OF ARTICLES FOR UNIVERSAL RESEARCH LABORATORIES INC

DR. J. MACKROLA 12/2/83
 CHK: J.S. Gallo 1/5/84
 APP: [Signature] 1/18/84
 SCALE: [Blank] MODEL: PS8-1000
 DO NOT SCALE DRAWING

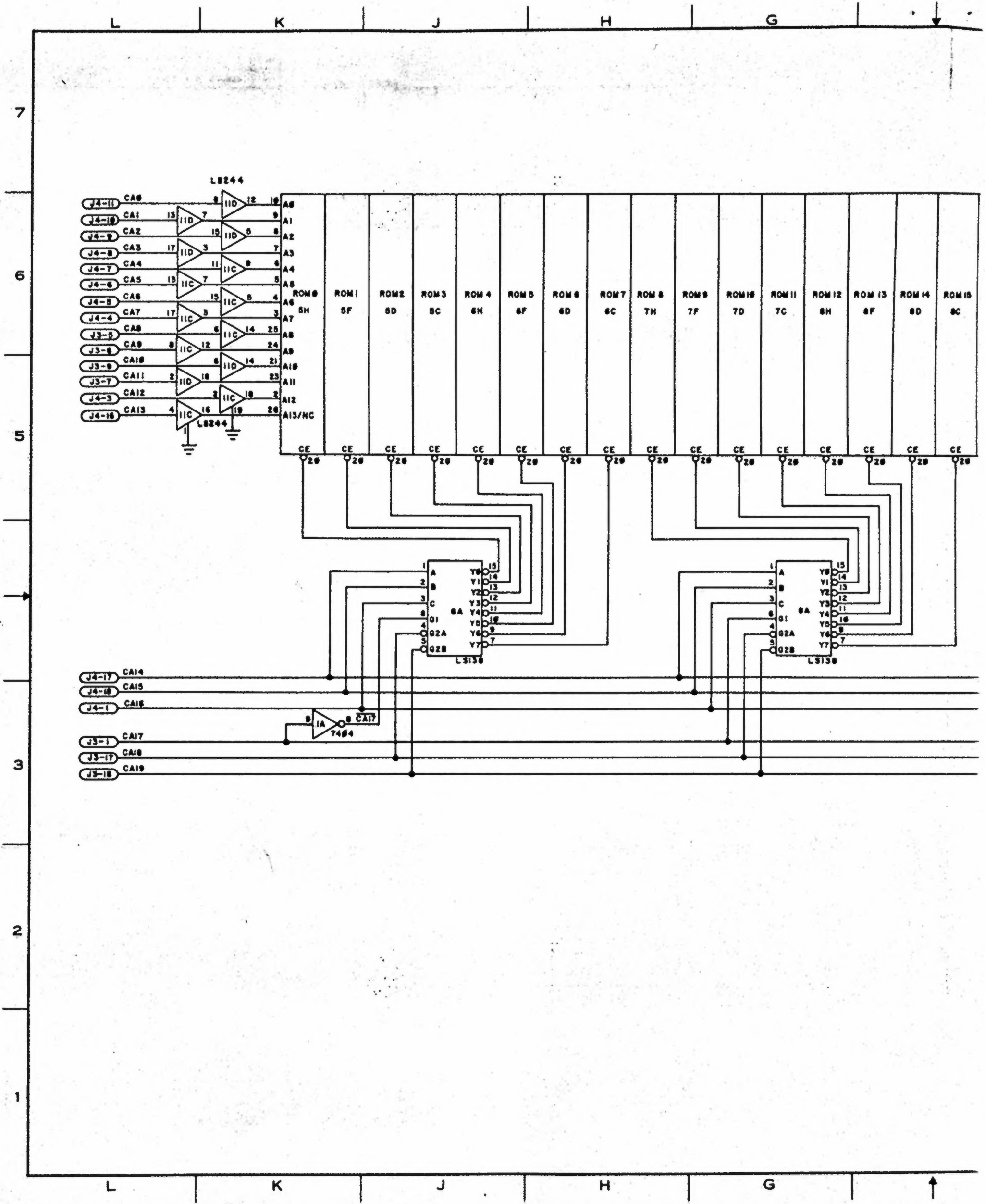
URL/ASTERN

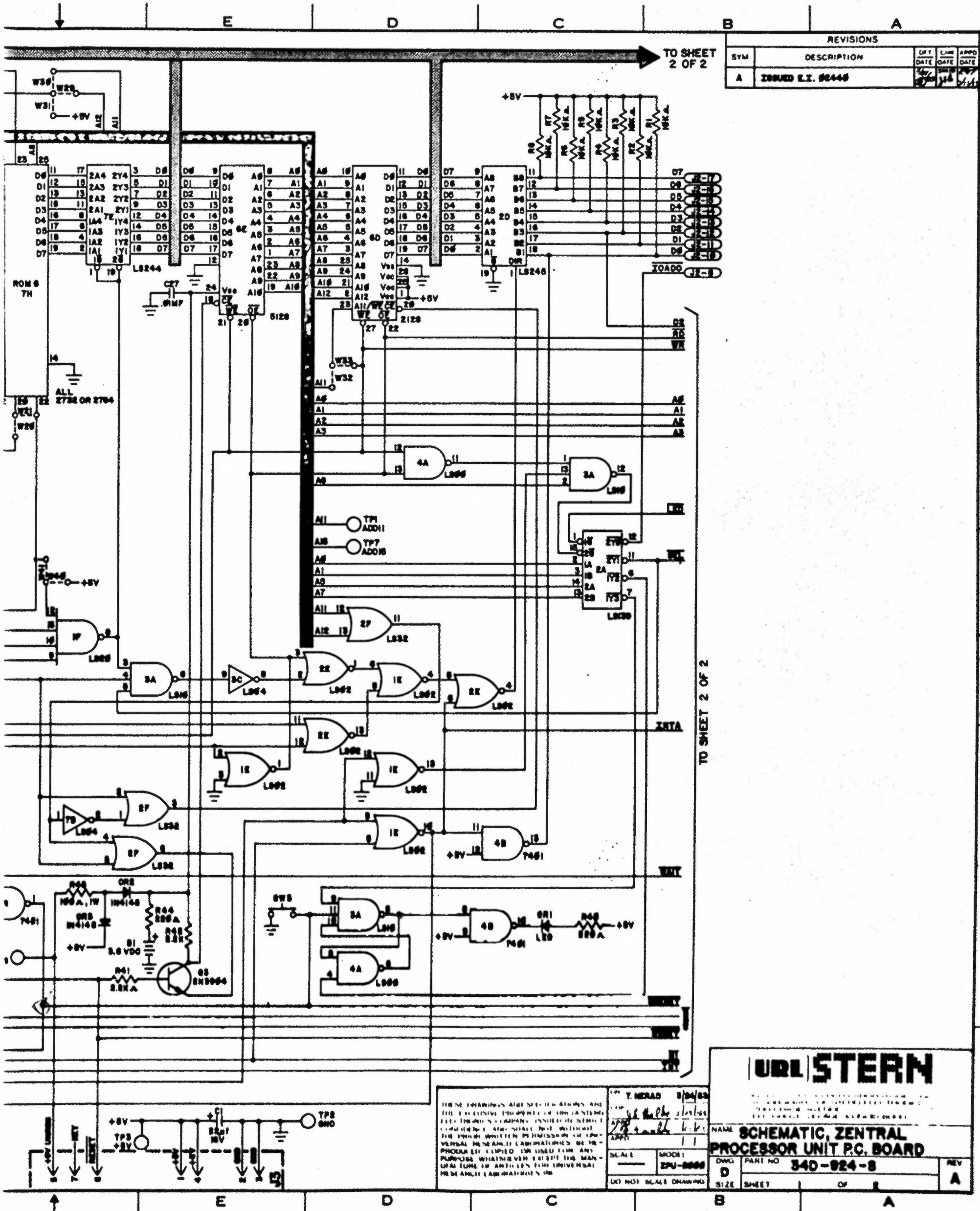
UNIVERSAL RESEARCH LABORATORIES, INC.
 A DIVISION OF ASTERN ELECTRONICS
 700 CHASE AVENUE
 ELN GROVE VILLAGE, ILLINOIS 60007

NAME: **SCHEMATIC, PROM & SOUND P.C. BOARD**

DWG: **D** PART NO: **34D-2670-S** REV: **A**

SIZE: SHEET **2** OF **2**





REVISIONS				
SYM	DESCRIPTION	DATE	APPD	DATE
A	ISSUED E.I. 92448			

TO SHEET 2 OF 2

URL STERN

THESE DRAWINGS ARE THE PROPERTY OF THE UNITED STATES GOVERNMENT AND ARE LOANED TO YOU BY THE NATIONAL BUREAU OF STANDARDS. YOU ARE TO RETURN THEM TO THE NATIONAL BUREAU OF STANDARDS AT THE END OF THE LOAN PERIOD. NO PART OF THESE DRAWINGS IS TO BE REPRODUCED OR TRANSMITTED IN ANY FORM OR BY ANY MEANS, ELECTRONIC OR MECHANICAL, INCLUDING PHOTOCOPYING, RECORDING, OR BY ANY INFORMATION STORAGE AND RETRIEVAL SYSTEM, WITHOUT PERMISSION IN WRITING FROM THE NATIONAL BUREAU OF STANDARDS.

T. NERAD 8/24/68

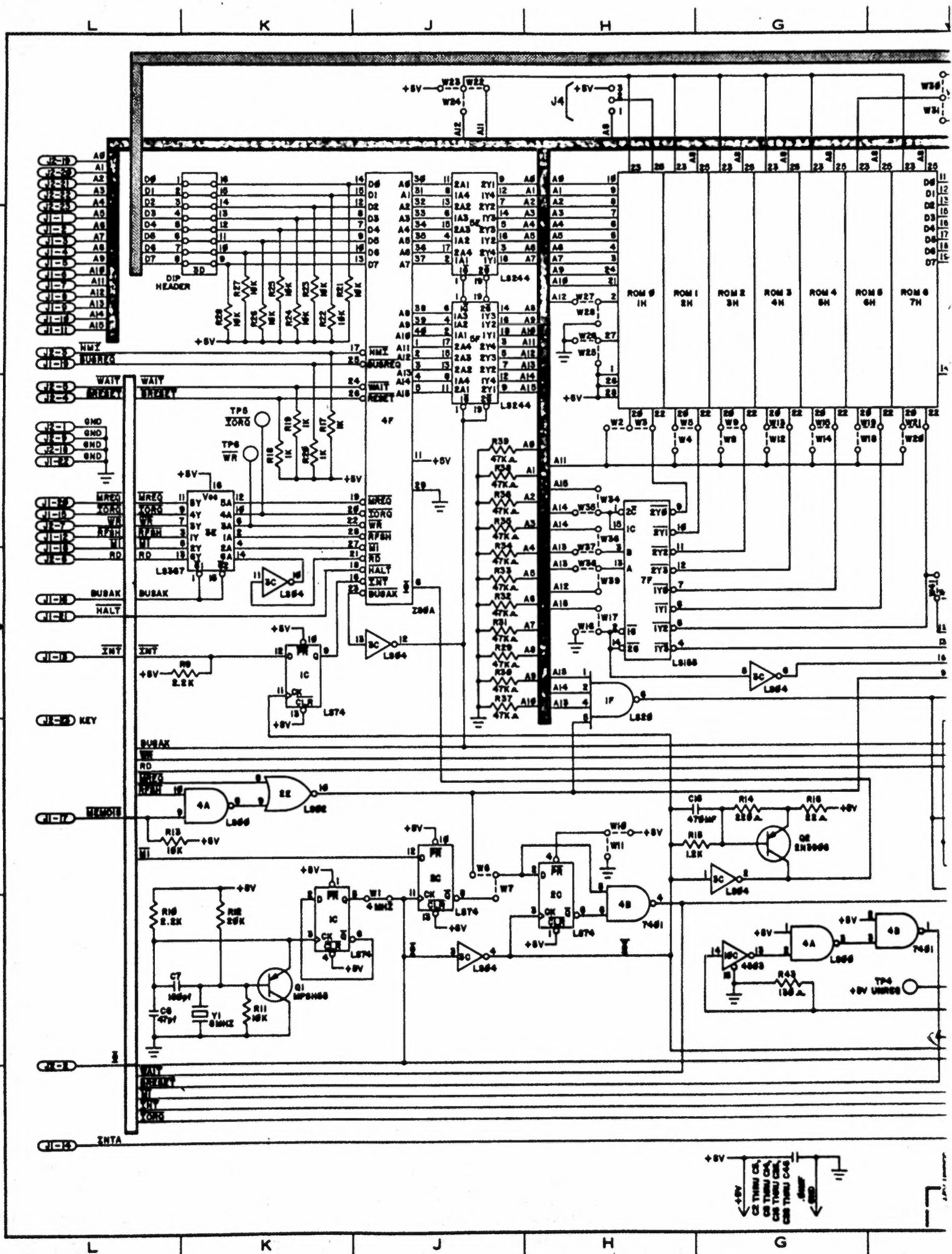
APPROVED: *[Signature]*

DATE: 8/24/68

MODEL: EPU-8000

DO NOT SCALE DRAWING

NAME: SCHEMATIC, ZENTRAL PROCESSOR UNIT P.C. BOARD
 PART NO: 340-924-8
 REV: A
 DWG: D
 SIZE: SHEET OF 8



7

6

5

3

2

1

L

K

J

H

G

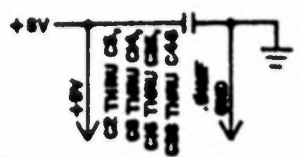
L

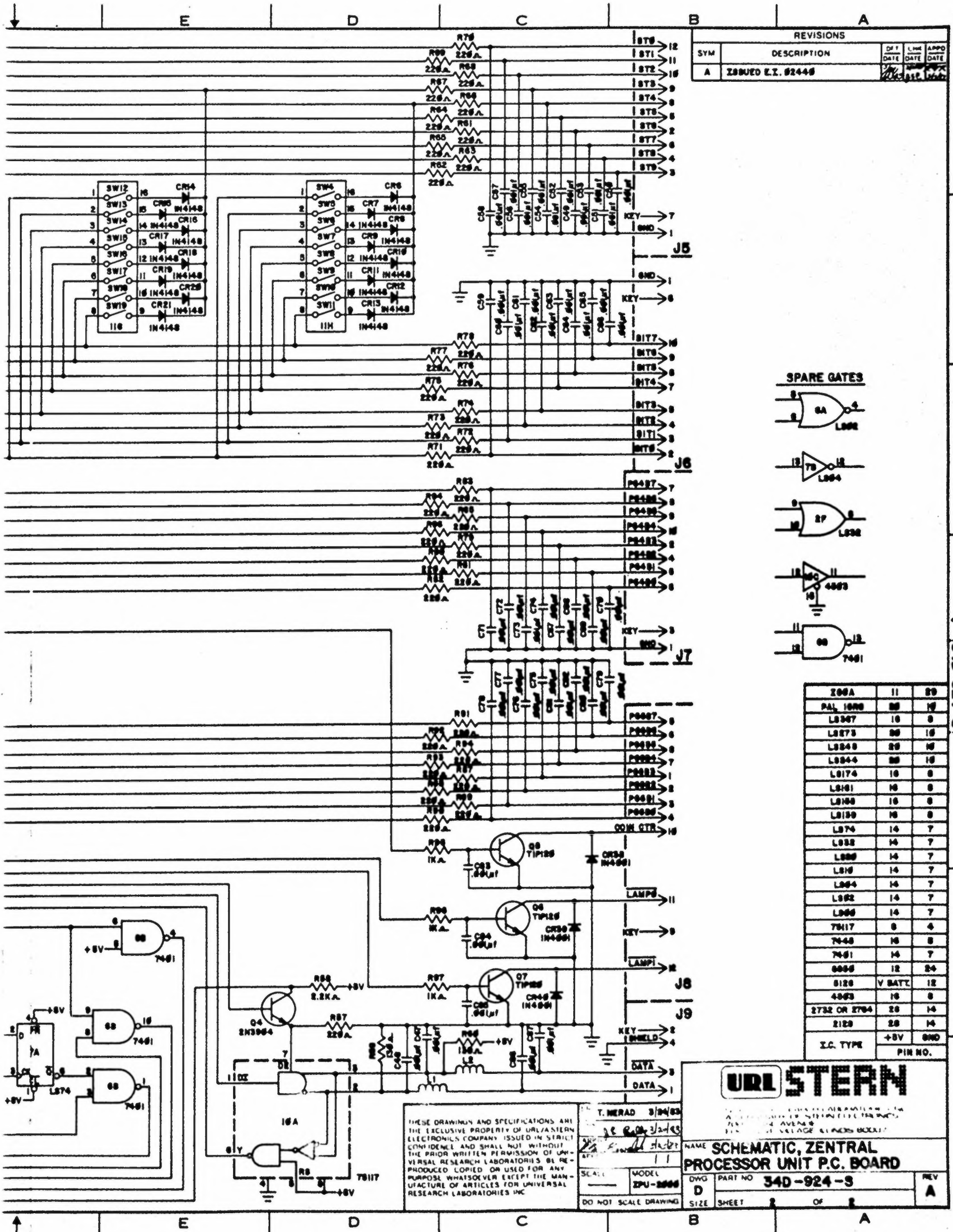
K

J

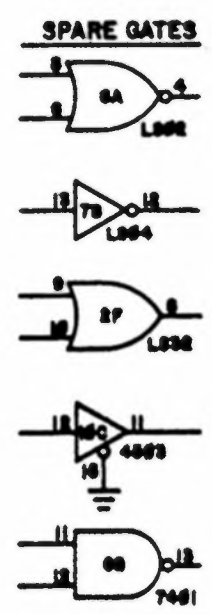
H

G





REVISIONS				
SYM	DESCRIPTION	DATE	LINE	APPRO
A	ISSUED E.Z. 82448			



Z80A	11	29
PAL 1608	28	18
L807	18	8
L875	28	18
L848	28	18
L844	28	18
L8174	18	8
L8181	18	8
L8188	18	8
L8139	18	8
L874	14	7
L832	14	7
L888	14	7
L816	14	7
L864	14	7
L882	14	7
L866	14	7
78117	8	4
7448	16	8
7401	14	7
8056	12	24
8128	V BATT.	12
4803	18	8
2732 OR 2784	28	14
2128	28	14
Z.C. TYPE	+8V	8ND
		PIN NO.

THESE DRAWINGS AND SPECIFICATIONS ARE THE EXCLUSIVE PROPERTY OF URL/STERN ELECTRONICS COMPANY, ISSUED IN STRICT CONFIDENCE AND SHALL NOT BE REPRODUCED OR COPIED WITHOUT THE PRIOR WRITTEN PERMISSION OF URL/STERN ELECTRONICS COMPANY. ANY UNAUTHORIZED REPRODUCTION OR USE FOR ANY PURPOSE WHATSOEVER EXCEPT THE MANUFACTURE OF ARTICLES FOR UNIVERSAL RESEARCH LABORATORIES INC.

T. MERAD 3/24/63
 J.E. RAY 3/24/63
 SCALE: MODEL ZPU-2000
 DO NOT SCALE DRAWING

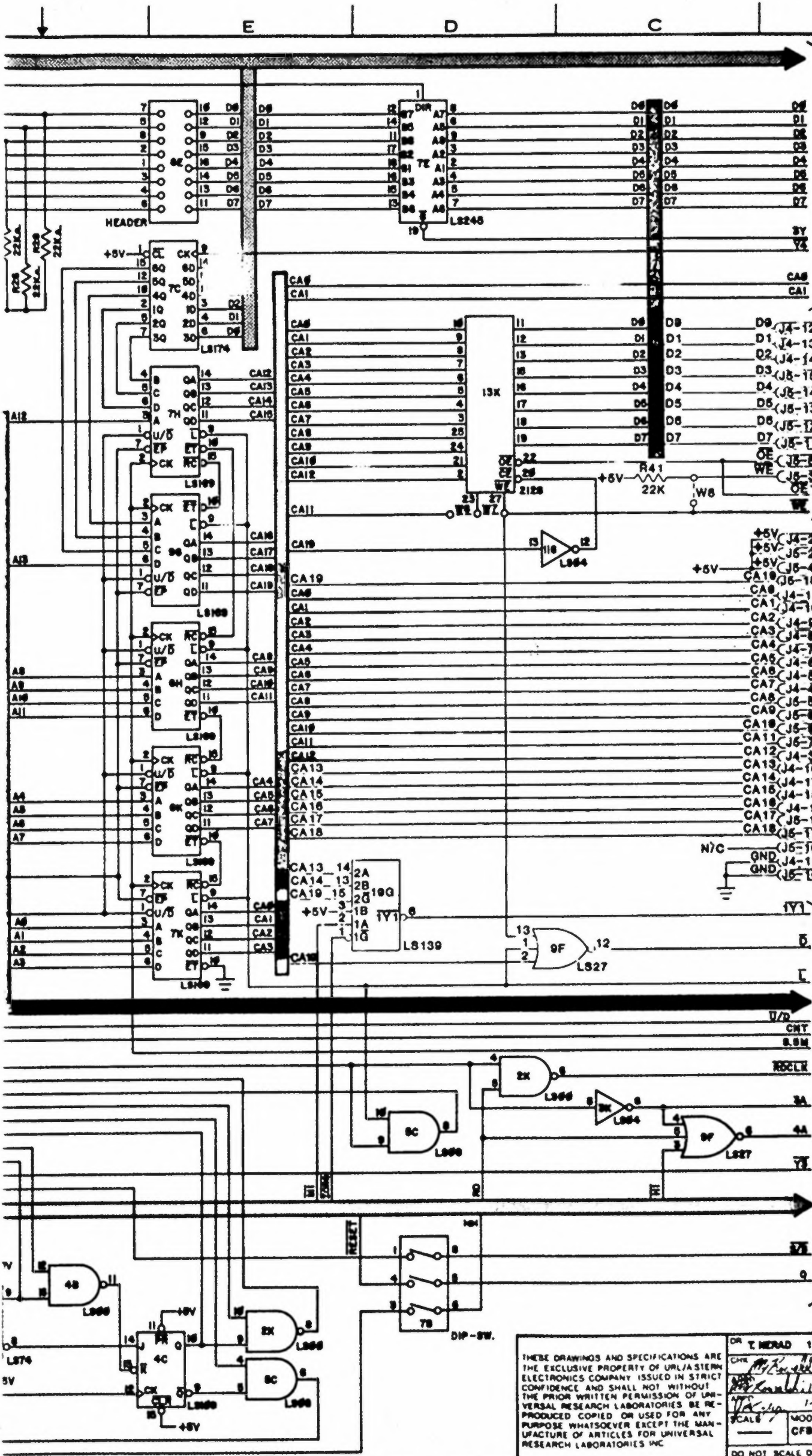
URL/STERN

NAME: SCHEMATIC, ZENRAL PROCESSOR UNIT P.C. BOARD

DWG PART NO: 34D-924-S

REV: A

SIZE: SHEET 2 OF 2



REVISIONS				
SYM	DESCRIPTION	DATE	CHK	APPRO
A	ISSUED E.I. 03046			

TO SHEET 2 OF 3

TO SHEET 2 OF 3

TO SHEET 2 OF 3

THESE DRAWINGS AND SPECIFICATIONS ARE THE EXCLUSIVE PROPERTY OF URL/ASTERN ELECTRONICS COMPANY ISSUED IN STRICT CONFIDENCE AND SHALL NOT WITHOUT THE PRIOR WRITTEN PERMISSION OF UNIVERSAL RESEARCH LABORATORIES BE REPRODUCED COPIED OR USED FOR ANY PURPOSE WHATSOEVER EXCEPT THE MANUFACTURE OF ARTICLES FOR UNIVERSAL RESEARCH LABORATORIES INC.

DR T. MERAD 11/30/83
 CDR [Signature]
 [Signature]
 SCALE: MODEL CFB-1001
 DO NOT SCALE DRAWING

URL/ASTERN
 UNIVERSAL RESEARCH LABORATORIES INC.
 A SUBSIDIARY OF STERN ELECTRONICS
 700 CHASE AVENUE
 ELK GROVE VILLAGE, ILLINOIS 60007

NAME: **SCHEMATIC, COLOR FRAME BUFFER P.C. BOARD**

PART NO: **34D-2684-S**

DWG NO: **D**

SIZE: SHEET **1** OF **3**

REV: **A**

7

6

5

4

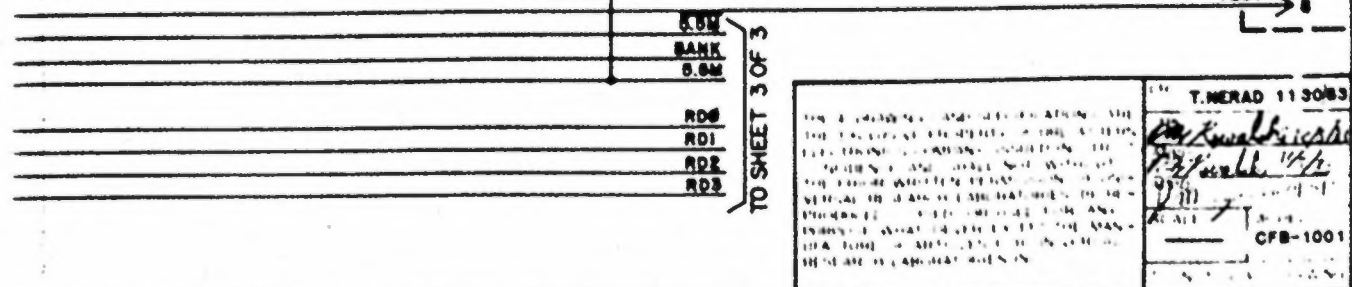
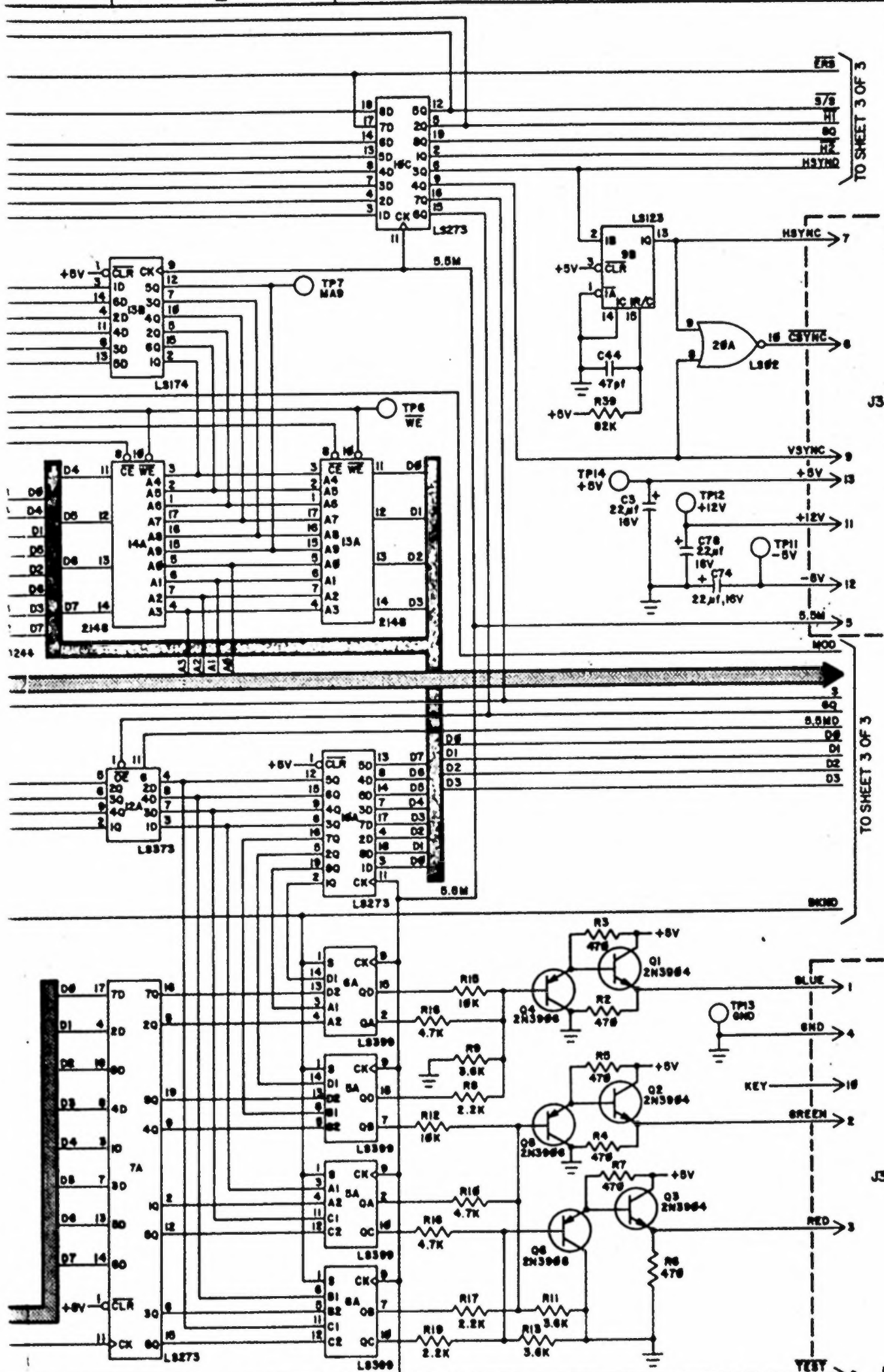
3

2

1

34D-2684-S

REVISIONS	
NO.	DESCRIPTION
A	ISSUED E.I. 03046



URL STERN

T.MERAD 113083

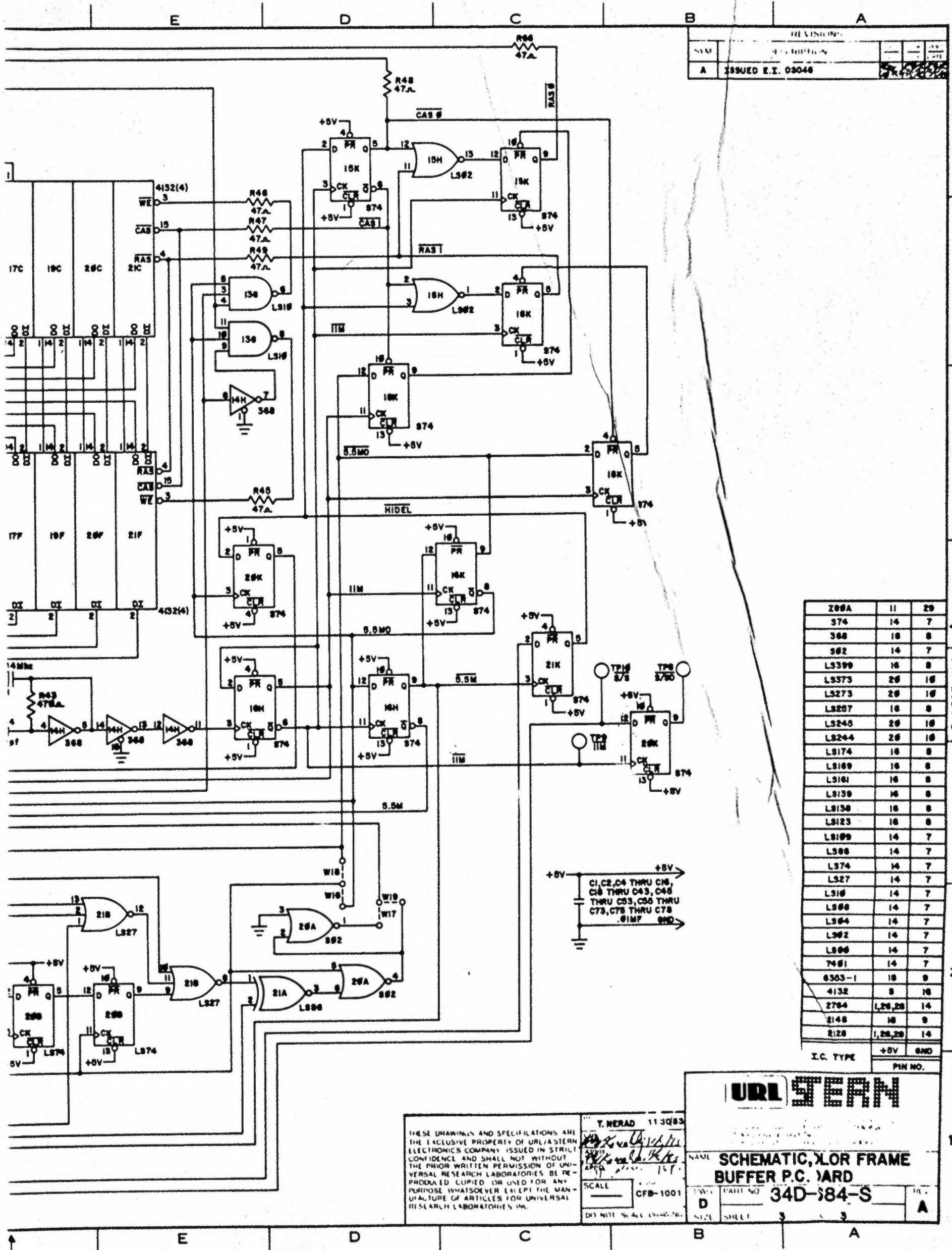
[Signature]

CFB-1001

SCHEMATIC, COLOR FRAME BUFFER P.C. BOARD

34D-2684-S

NO.	REV.	DATE	BY
	2		



REVISION	
SYM	DESCRIPTION
A	ISSUED E.I. 03048

200A	11	29
374	14	7
368	18	8
362	14	7
L3399	18	8
L3373	26	16
L3273	26	16
L3207	18	8
L3240	26	16
L3244	26	16
L3174	18	8
L3169	18	8
L3161	18	8
L3139	18	8
L3138	18	8
L3123	18	8
L3109	14	7
L308	14	7
L374	14	7
L327	14	7
L318	14	7
L308	14	7
L304	14	7
L302	14	7
L300	14	7
7401	14	7
6503-1	18	8
4132	8	16
2764	L26,28	14
2148	18	8
2128	L26,28	14
I.C. TYPE		+5V GND
		PIN NO.

THESE DRAWINGS AND SPECIFICATIONS ARE THE EXCLUSIVE PROPERTY OF URL/ASTERN ELECTRONICS COMPANY. ISSUED IN STRICT CONFIDENCE AND SHALL NOT WITHOUT THE PRIOR WRITTEN PERMISSION OF UNIVERSAL RESEARCH LABORATORIES BE REPRODUCED, COPIED, OR USED FOR ANY PURPOSE WHATSOEVER EXCEPT THE MANUFACTURE OF ARTICLES FOR UNIVERSAL RESEARCH LABORATORIES, INC.

T. HERAD 11/30/83

SCALE: CFB-1001

DO NOT SCALE DRAWINGS

URL/ASTERN

NAME: SCHEMATIC, XOR FRAME BUFFER P.C. BOARD

PART NO: 34D-384-S

REV: D

SHEET: 3

DATE: 11/30/83

DESIGNER: [Signature]

CHECKED: [Signature]

APPROVED: [Signature]

7

6

5

3

2

1

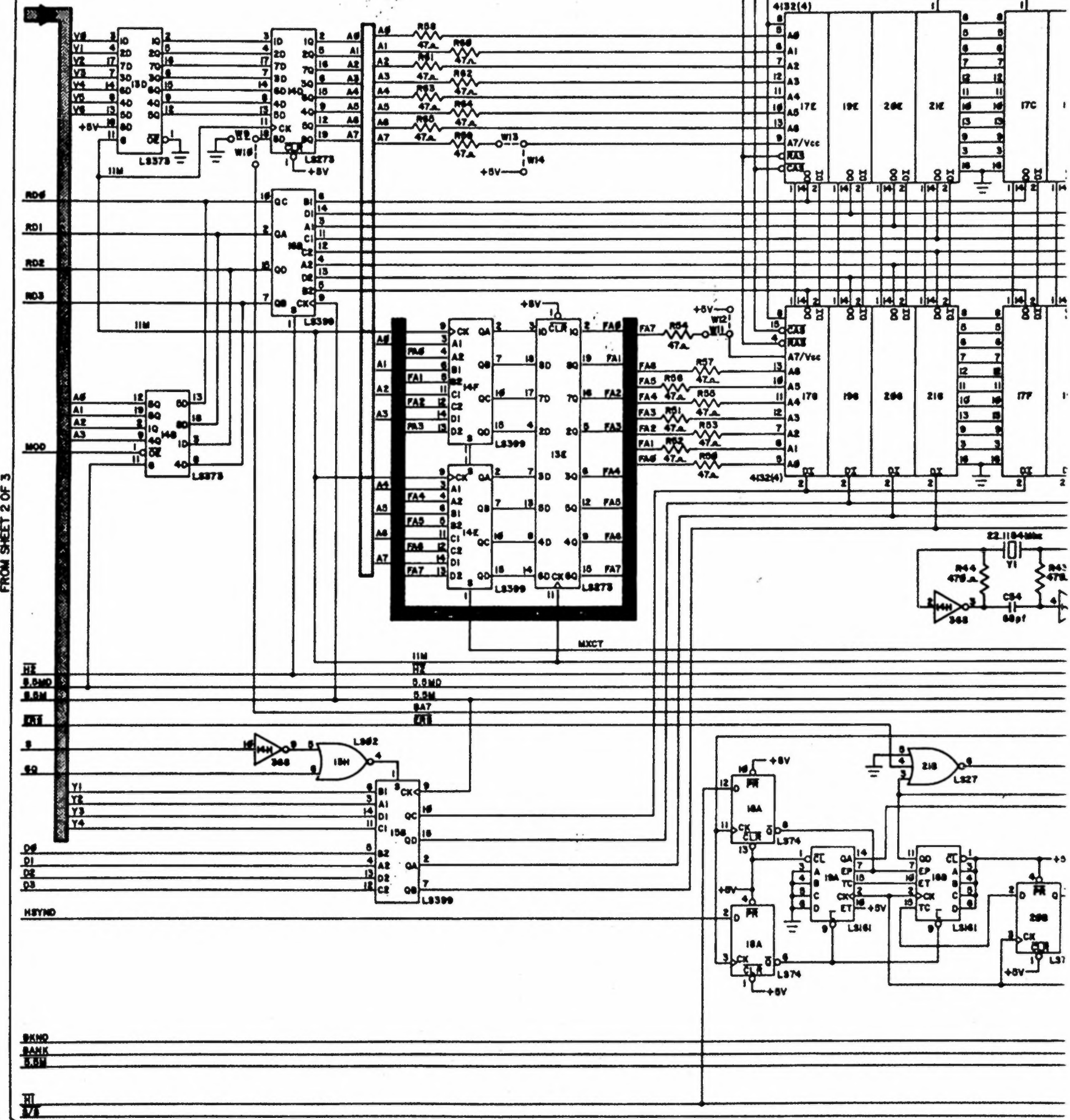
L

K

J

H

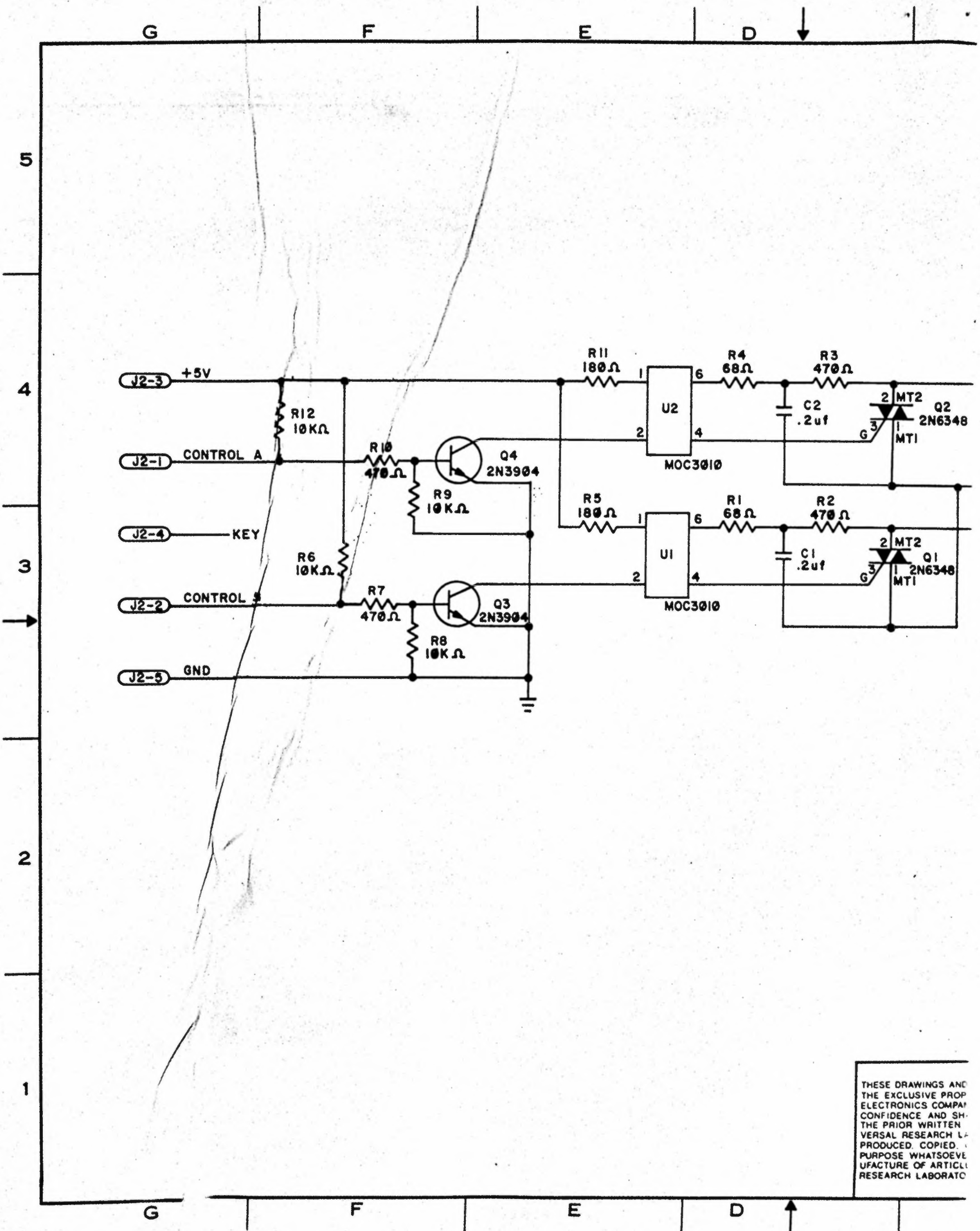
G



FROM SHEET 2 OF 3

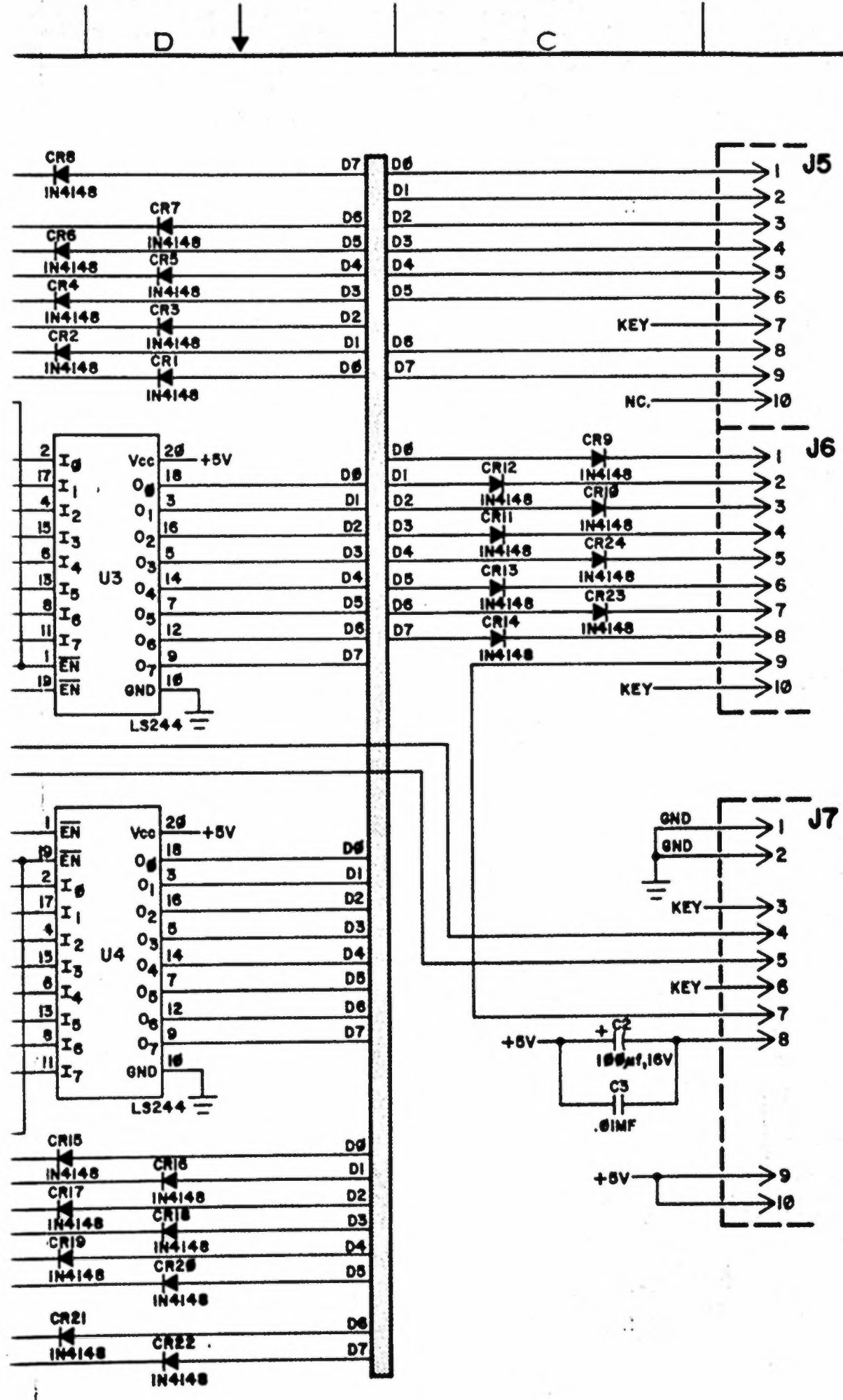
BNND
BANK
BSM

HT
W/A



THESE DRAWINGS AND THE EXCLUSIVE PROPERTY OF THE ELECTRONICS COMPANY. CONFIDENTIAL AND SHOWN WITHOUT THE PRIOR WRITTEN PERMISSION OF THE UNIVERSAL RESEARCH LABORATORY. REPRODUCED, COPIED, OR TRANSMITTED IN ANY FORM OR BY ANY MEANS, WITHOUT THE PRIOR WRITTEN PERMISSION OF THE UNIVERSAL RESEARCH LABORATORY.

REVISIONS			
SYM	DESCRIPTION	DFT DATE	CHK DATE
A	ISSUED E.I. 02374		



5
 4
 3
 2
 1 of 1
 34C-2505-S

ADC0804	20	10
LS244	20	10
IC. TYPE	+5V	GND
	PIN NO.	

URL STERN

UNIVERSAL RESEARCH LABORATORIES INC
 A SUBSIDIARY OF STERN ELECTRONICS
 700 CHASE AVENUE
 ELK GROVE VILLAGE ILLINOIS 60007

THESE DRAWINGS AND SPECIFICATIONS ARE THE EXCLUSIVE PROPERTY OF URL/A STERN ELECTRONICS COMPANY. ISSUED IN STRICT CONFIDENCE AND SHALL NOT WITHOUT THE PRIOR WRITTEN PERMISSION OF UNIVERSAL RESEARCH LABORATORIES BE REPRODUCED COPIED, OR USED FOR ANY PURPOSE WHATSOEVER EXCEPT THE MANUFACTURE OF ARTICLES FOR UNIVERSAL RESEARCH LABORATORIES INC

DR T. NERAD 2/25/83
 APPD [Signature] 2/28/83
 APPD [Signature] 2/28/83
 SCALE _____ MODEL UIB-1000
 DO NOT SCALE DRAWING

NAME SCHEMATIC, UNIVERSAL INTERFACE BOARD P.C. BOARD
 DWG PART NO 34C-2505-S
 C SIZE SHEET 1 OF 1
 REV. A

D

C

B

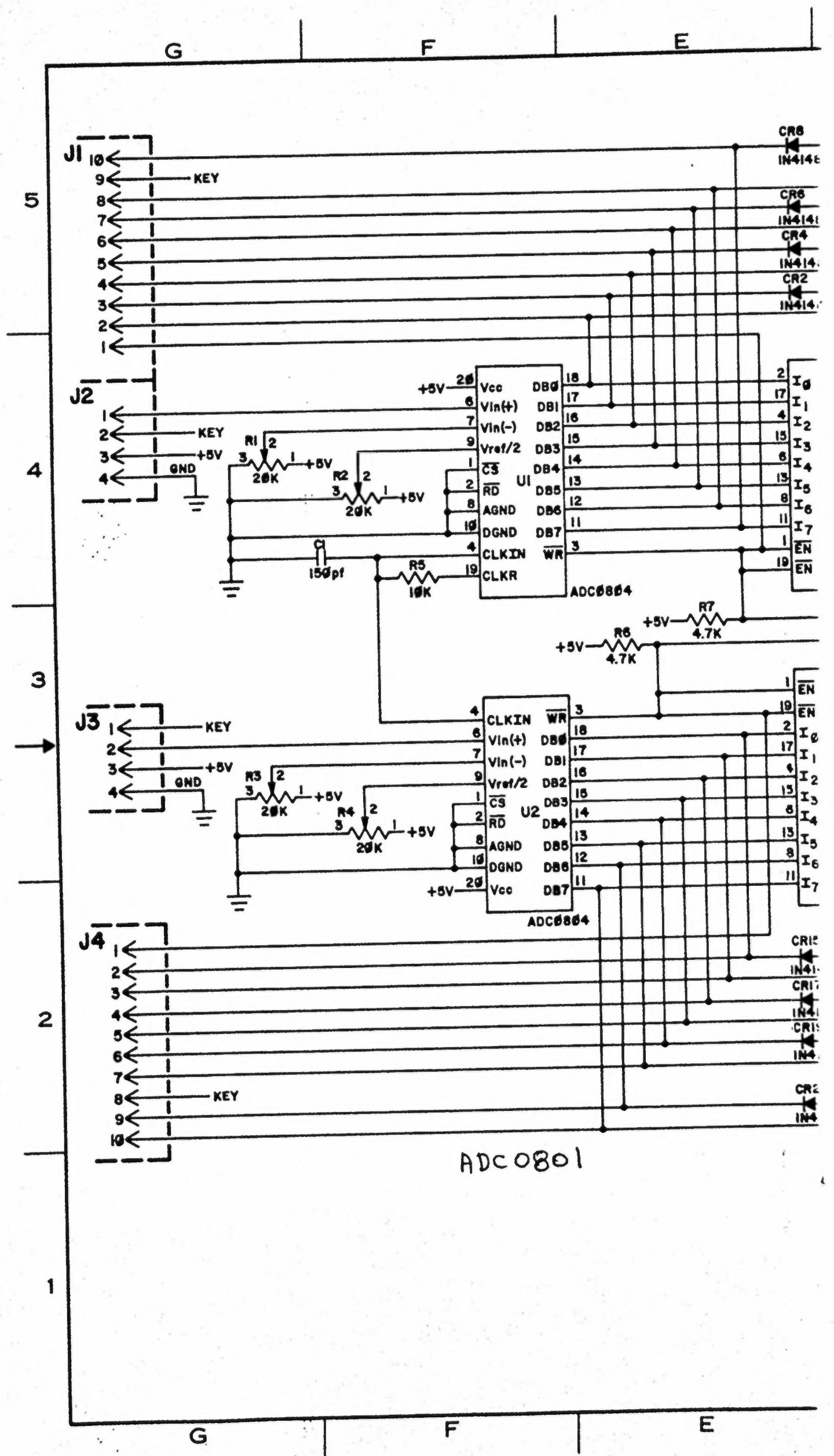
A

D

C

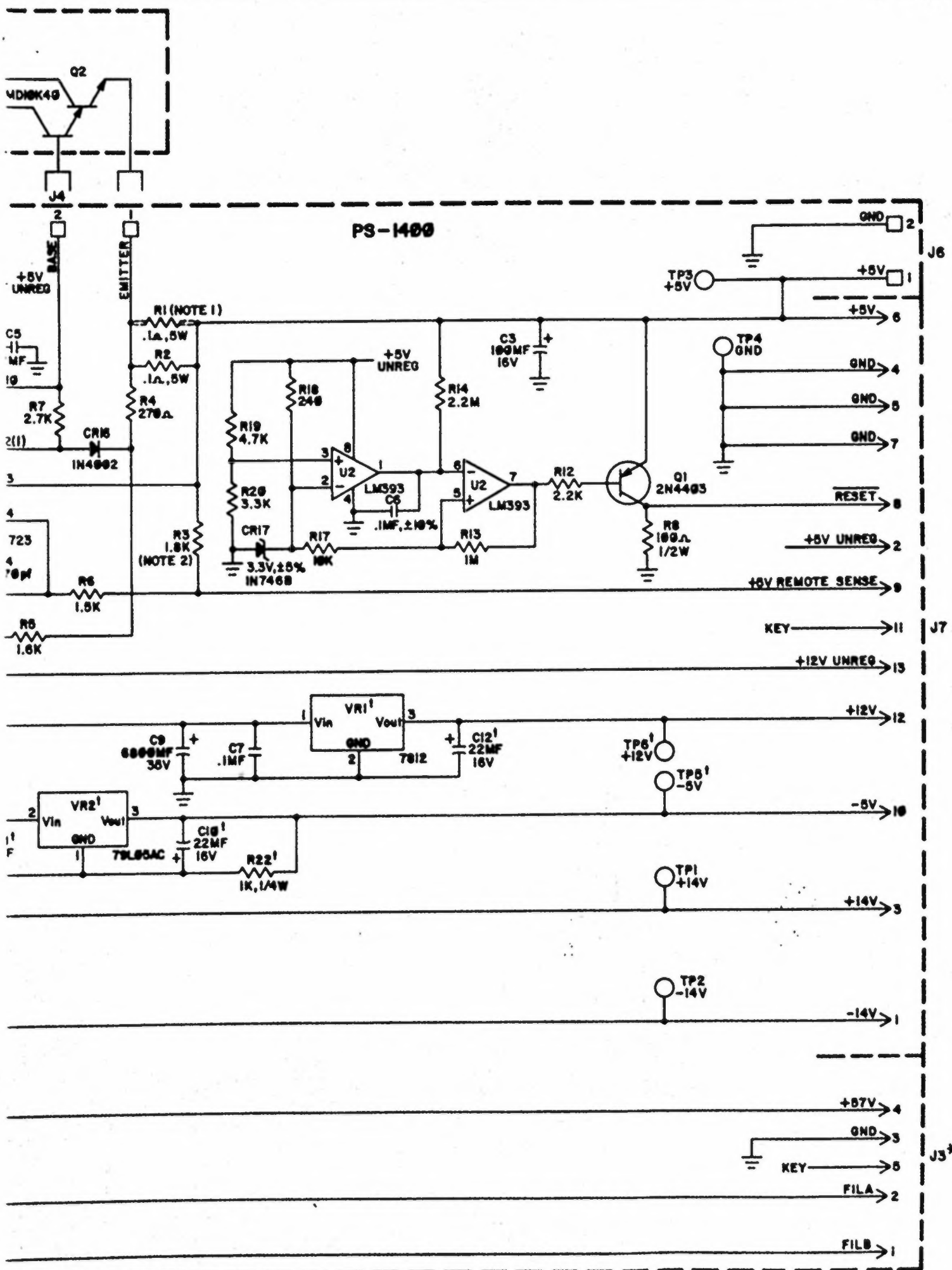
B

A



MONITOR
MONITOR
GEN. ILL.
GEN. ILL.
3 PIN CONN.
(TO DRAWER CABLE)
(TO DRAWER CABLE)

REVISIONS				
SYM	DESCRIPTION	DPT DATE	CHK DATE	APP'D
A	ISSUED E.I. 02057			
B	NOTE 1 WAS 2.7 AMP. ON T1 IS AND IS WERE REVERSED. 3 PIN CONNECTOR WAS 9 PIN. E.I. 02515			



- NOTES:
- FOR $I_o \geq 6$ AMPS.
 - THIS RESISTOR IS USED ONLY IF REMOTE SENSE IS USED. LIMITS VOLTAGE IF SENSE LINE IS DISCONNECTED. IF REMOTE SENSE IS NOT USED SUBSTITUTE A JUMPER IN PLACE OF RESISTOR R5.
 - I INDICATES: NEEDED WHEN -5V AND +12V SUPPLIES ARE USED.
 - H INDICATES: NEEDED WHEN FLUORESCENT DISPLAYS ARE USED.
 - FOR 120 VAC LINE, CONNECT XFMR LEAD 1 TO 3 AND 2 TO 4.
 - FOR 240 VAC LINE, CONNECT XFMR LEAD 2 TO 3.

THESE DRAWINGS AND SPECIFICATIONS ARE THE EXCLUSIVE PROPERTY OF URL/STERN ELECTRONICS COMPANY ISSUED IN STRICT CONFIDENCE AND SHALL NOT WITHOUT THE PRIOR WRITTEN PERMISSION OF UNIVERSAL RESEARCH LABORATORIES BE REPRODUCED COPIED OR USED FOR ANY PURPOSE WHATSOEVER EXCEPT THE MANUFACTURE OF ARTICLES FOR UNIVERSAL RESEARCH LABORATORIES INC

DR T. NERAD 10/11/68
CHK
APP'D
SCALE
MODEL
DO NOT SCALE DRAWING

URL STERN

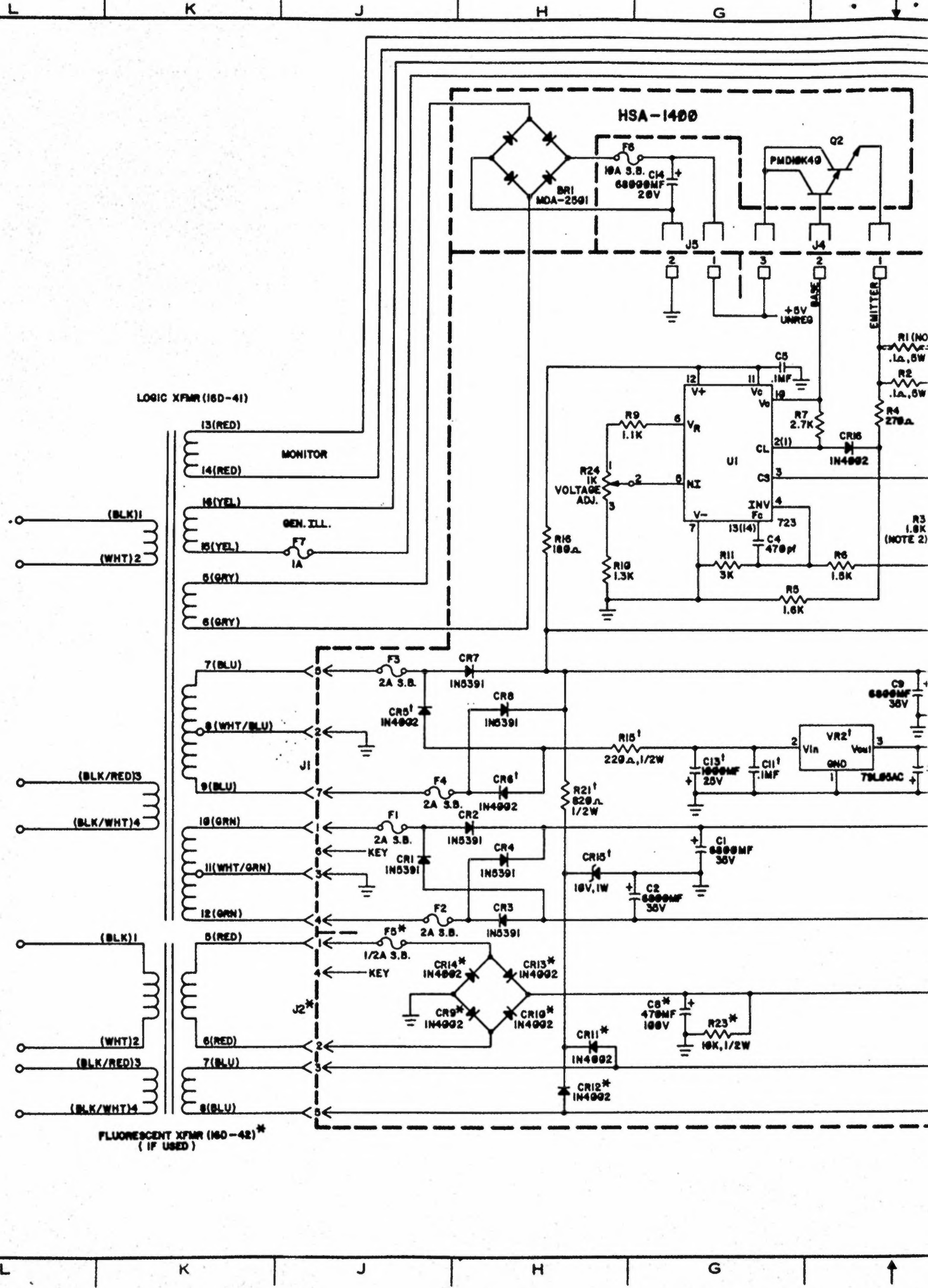
UNIVERSAL RESEARCH LABORATORIES, INC
A DIVISION OF STERN ELECTRONICS
700 CHASE AVENUE
ELK GROVE VILLAGE, ILLINOIS 60007

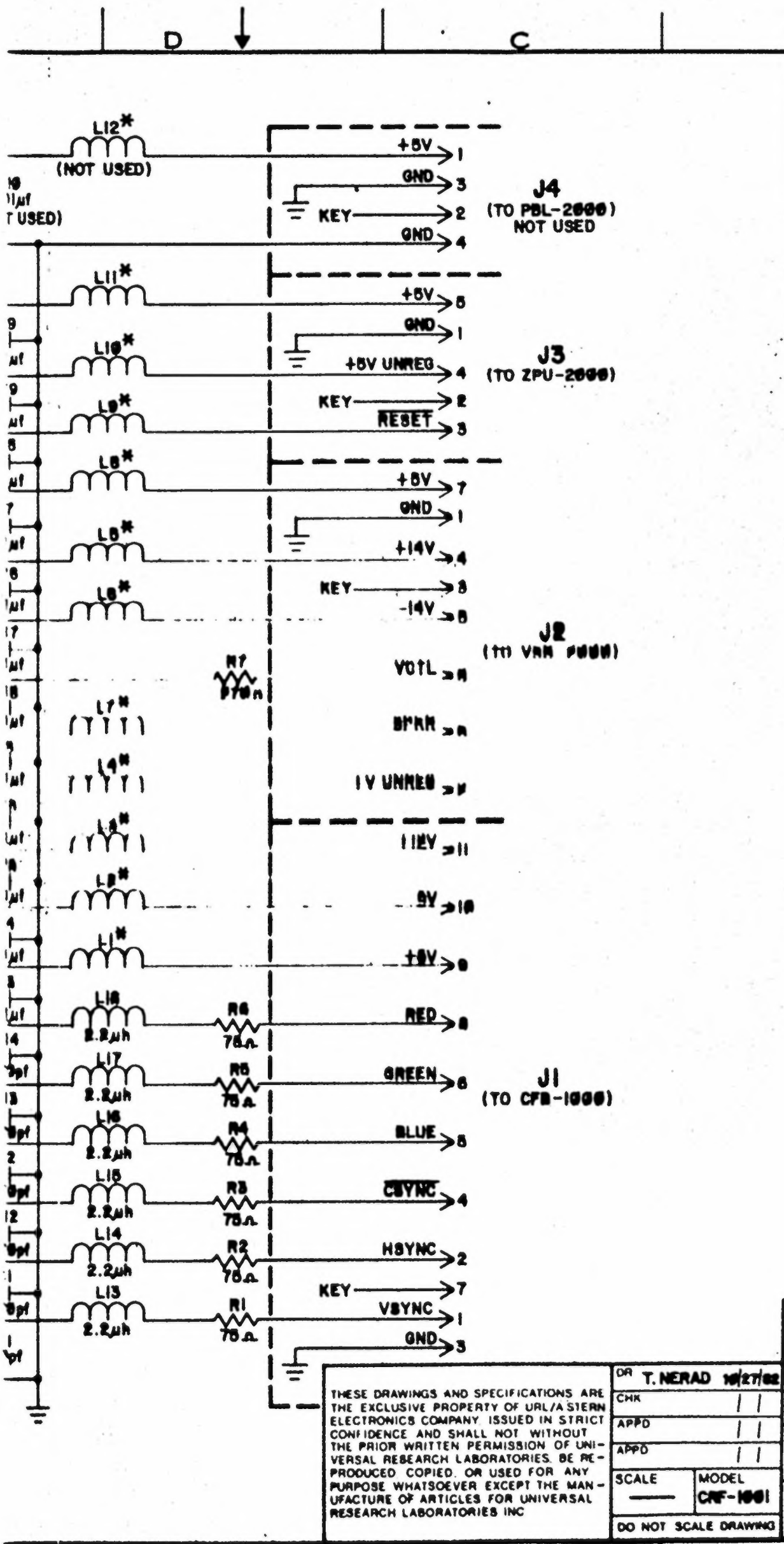
NAME **SCHEMATIC, POWER SUPPLY P.C. BOARD**

DWG NO **D** PART NO **340-2411-8** REV **B**

SIZE SHEET OF

7
6
5
3
2
1





REVISIONS				
SYM	DESCRIPTION	DFT DATE	CHK DATE	APPD DATE
A	ISSUED E.I. 02058	2/2/82	2/2/82	2/2/82
B	CHANGED CSYNC TO CSYNC 7.4.72 E.I. 0-787	2/2/83	2/2/83	2/2/83

- NOTES:
- * = INDUCTORS ARE FERRITE BEADS.
 - J5, J6 AND J7 MOUNT ON SOLDER SIDE.

THESE DRAWINGS AND SPECIFICATIONS ARE THE EXCLUSIVE PROPERTY OF URL/A STERN ELECTRONICS COMPANY. ISSUED IN STRICT CONFIDENCE AND SHALL NOT WITHOUT THE PRIOR WRITTEN PERMISSION OF UNIVERSAL RESEARCH LABORATORIES. BE REPRODUCED COPIED, OR USED FOR ANY PURPOSE WHATSOEVER EXCEPT THE MANUFACTURE OF ARTICLES FOR UNIVERSAL RESEARCH LABORATORIES INC

DR	T. NERAD	10/27/82
CHK		
APPD		
APPD		
SCALE	MODEL	
	CRF-1001	
DO NOT SCALE DRAWING		

URL STERN

UNIVERSAL RESEARCH LABORATORIES INC
A SUBSIDIARY OF STERN ELECTRONICS
700 CHASE AVENUE
ELK GROVE VILLAGE, ILLINOIS 60007

NAME	
SCHEMATIC, CARD	
RACK FILTER P.C. BOARD	
DWG	PART NO
C	34C-2283-S
SIZE	SHEET
	1 OF 1
REV.	
B	

