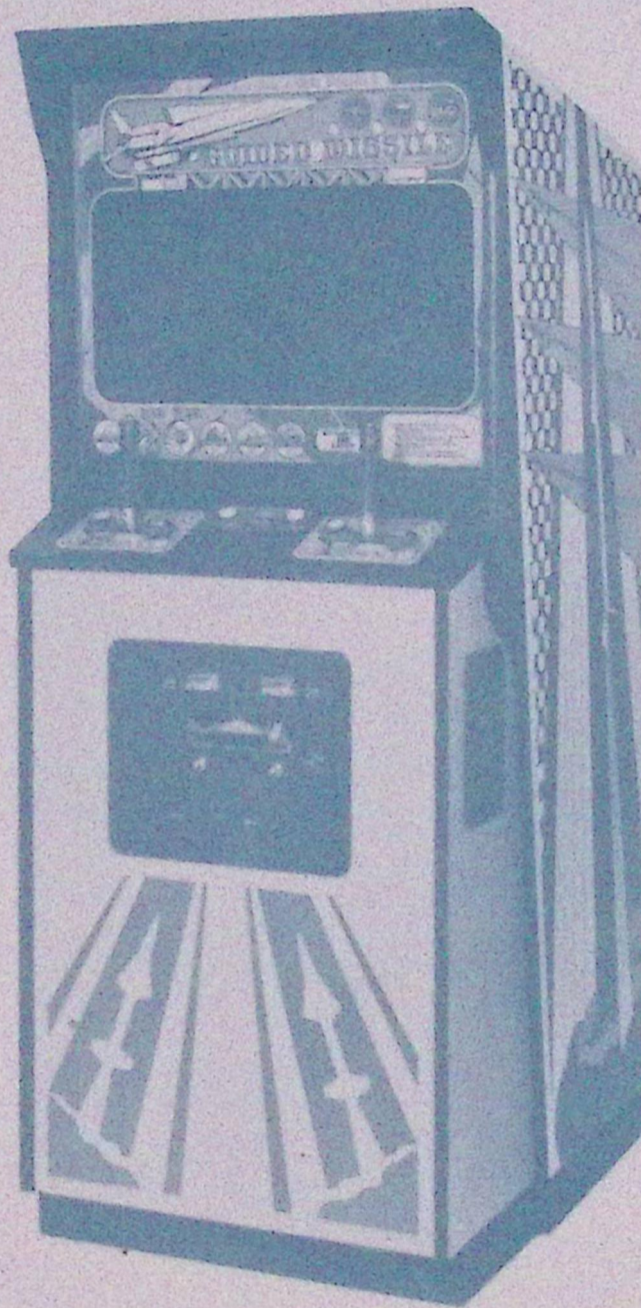


GAME NO. 623  
APRIL 1977

# MIDWAY'S GUIDED MISSILE PARTS CATALOG



**MIDWAY MFG. CO.**

A BALLY COMPANY

10750 WEST GRAND AVENUE  
FRANKLIN PARK, ILLINOIS 60131  
U.S.A.

PHONE: (312) 451-1360 CABLE ADDRESS: MIDCO TELEX NO.: 72-1596

# TABLE OF CONTENTS

---

	Page No.
GENERAL INSTRUCTIONS	1
SWITCH ADJUSTMENTS	2
NO. 623 GUIDED MISSILE	3—5
RIGHT CONTROL HANDLE ASSEMBLY	6—7
EXPLOSION LAMP ASSEMBLY	8—9
FLUORESCENT FIXTURE ASSEMBLY	10—11
FRONT DOOR ASSEMBLY	12—13
TRANSFORMER BOARD ASSEMBLY	14—15
ADDITIONAL PARTS LIST	16
GAME BOARD COMPONENTS LAYOUT	17
MOTHER BOARD COMPONENTS LAYOUT	18
POWER SUPPLY COMPONENTS LAYOUT	19
MONITOR SCHEMATIC	20

## GENERAL INSTRUCTIONS FOR "GUIDED MISSILE"

### INSTALLATION:

1. Remove shipping cleats located on the bottom of the cabinet.
2. Install 4 provided leg levelers to bottom of cabinet and level.
3. The power is controlled by a switch located on top of the cabinet. Plug into A.C. only 115 volts, 60 cycles. In low line areas (105 volts or less) a boost in the output voltage of the transformer may be obtained by removing the wire from the 115 volt tap of the transformer and rewiring to the 105 volt position.

### VOLTAGE CONTROL POTS:

Located on Power Supply Board (P.C. 0080-009004D) and are preset at the factory. These pots should not be tampered with unless the Distributor Service Department is contacted.

### VOLUME CONTROL POT:

Located on Game Logic Board (P.C. 0623-00907A) raises or lowers all sounds and may be adjusted as desired.

### WARNING

**THIS GAME MUST BE GROUNDED. FAILURE TO DO SO MAY RESULT IN DESTRUCTION TO ELECTRONIC COMPONENTS.**

## METHOD OF PLAY, TIME AND EXTENDED PLAY ADJUSTMENT SWITCHES:

Located on Game Logic Board (P.C. 0623-00907A) and may be adjusted as indicated on separate instruction sheet in back box area.

### METHOD OF PLAY ADJUSTMENTS

	SW. #1	SW. #2
1 COIN - 1 PLAYER		
2 COINS - 2 PLAYERS	OFF	OFF
1 COIN - 1 PLAYER		
1 COIN - 2 PLAYERS	ON	OFF
2 COINS - 1 PLAYER		
2 COINS - 2 PLAYERS	ON	ON
2 COINS - 1 PLAYER		
4 COINS - 2 PLAYERS	OFF	ON

### TIME ADJUSTMENTS

	SW #3	SW. #4
60 SECONDS	ON	ON
70 SECONDS	ON	OFF
80 SECONDS	OFF	ON
90 SECONDS	OFF	OFF

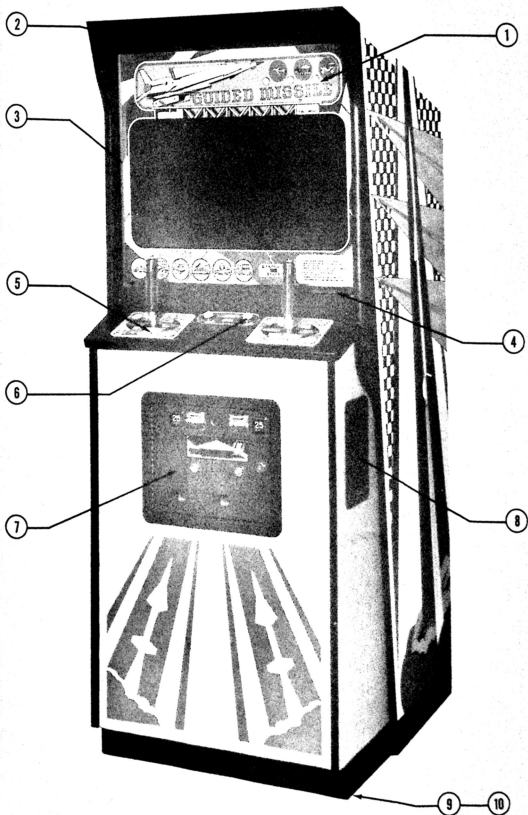
### SCORE ADJUSTMENTS

EXTENDED PLAY AT:	SW #5	SW. #6
500	ON	ON
700	ON	OFF
1000	OFF	ON
1300	OFF	OFF

### TEST-PLAY

	SW #8
TEST (RAM/ROM)	ON
PLAY MODE	OFF

**NO. 623 GUIDED MISSILE (PICTURE)**

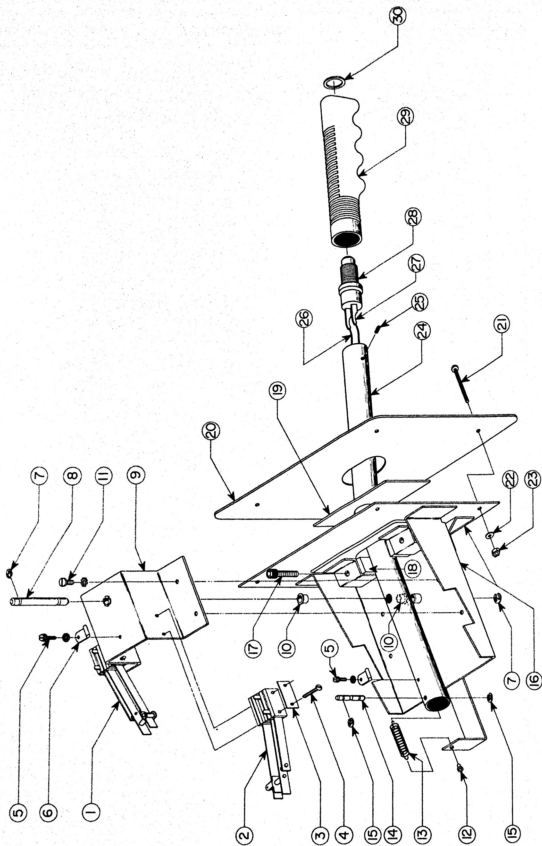


ORDER BY PART NUMBER ONLY Page 1 of 2

ITEM	PART NO	DESCRIPTION
1	0623-00901-01SC	DISPLAY PLEX
2	0537-00903-1500	GLASS CHANNEL - 24 1/2" LONG
3	0537-00903-2900	GLASS CHANNEL - 21 5/8" LONG (2 REQD.)
4	0537-00138-0000	GLASS LIFT CHANNEL - 24" LONG
5	A623-00004-0000	CONTROL SHELF ASSY.
6	A612-00006-0000	PUSH BUTTON ASSY.
	0017-00009-0384	BUTTON (2 REQD.)
	0612-00908-0000	HOUSING (2 REQD.)
	0010-00242-0000	SPRING (2 REQD.)
	0017-00004-0028	FLAT WASHER (2 REQD.)
	0017-00100-0025	"E" - RING (2 REQD.)
	0017-00103-0054	PALNUT (2 REQD.)
7	A090-00020-02BR	DOUBLE ENTRY COIN DOOR ASSY. (SEE SEPARATE ILLUSTRATION)
8	0017-00003-0187	SPEAKER (2 REQD.)
	0017-00009-0393	GRILL & HARDWARE (2 REQD.)
	0017-00101-0642	#8-32 x 1 1/2 LARGE CARRIAGE BOLT MACHINE SCREW (8 REQD.)
9	0017-00102-0048	LEG LEVELERS (4 REQD.)
10	0017-00103-0026	LEG LEVELER NUTS (4 REQD.)
		<u>NOT SHOWN LIST</u>
	0623-00900-00SC	VACUUM FORMED BACKGROUND SCENERY
	0623-00904-00SC	SIDE SCENERY CARD - LEFT
	0623-00904-01SC	SIDE SCENERY CARD - RIGHT
	0623-00902-0000	TRANSPARENT MIRROR - 24-3/4" x 21-7/16
	0017-00003-0189	23" MOTOROLA MONITOR
	0017-00101-0637	#8-32x1" CARRIAGE BOLT(4-MONITOR 4-CHASSIS)
	0161-00100-0000	T.V. MTG. WASHER (4 REQD.)
	0017-00103-0008	#8-32 HEX NUTS (4 REQD. MONITOR - 4 REQD. CHASSIS)
	0017-00104-0022	STL WASHER (4 REQD.)
	0161-00002-0000	DAG SPRING ASSY.
	3000-17155-0000	GROUND STRAP
	0592-00104-0100	CHASSIS MTG. BRKT. - RIGHT HAND
	0592-00104-0200	CHASSIS MTG. BRKT. - LEFT HAND

ITEM	PART No	DESCRIPTION
		<u>NOT SHOWN LIST CONTINUED</u>
	0605-00108-0000	GLASS LOCK EXTENSION (2 REQD.)
	0623-00111-0000	GLASS LOCK BRKTS. (2 REQD.)
	0017-00009-0009	TURN BUTTON (2 REQD.)
	0605-00908-0000	CARDBOARD TUBE MASK
	A619-00005-0000	UPPER BACK DOOR W/LOCK ASSY.
	A612-00009-0000	BOTTOM BACK DOOR W/LOCK ASSY.
	A097-00001-0000	LOCK ASSY. (2 REQD.)
	0017-00005-0046	LOCK (2 REQD.)
	0017-00005-0051	LOCK PLATE (2 REQD.)
	0017-00005-0042	CAM (2 REQD.)
	0017-00101-0017	6x1/2 HEX HD. WD. BLK. SEMS.(4 REQD.)
	0017-00031-0002	SOCKETS (5 REQD.)
	0017-00003-0052	LAMPS (5 REQD.)
	0567-00106-0100	S.W. MTG. PLATE
	0586-00036-0000	ON-OFF SWITCH

**NO. 623 GUIDED MISSILE - RIGHT CONTROL HANDLE ASSY.**



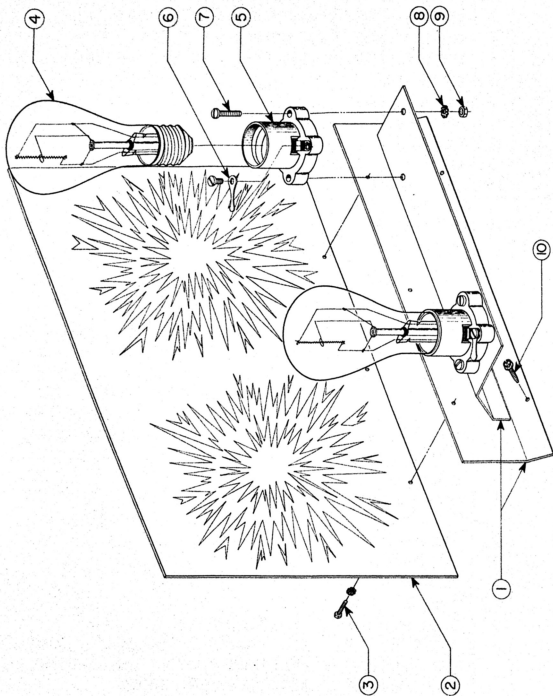
**MIDWAY MFG. CO.**  
A BALLY COMPANY

## NO. 623 GUIDED MISSILE - RIGHT CONTROL HANDLE ASSY.

ORDER BY PART NUMBER ONLY

ITEM	PART NO	DESCRIPTION
1	0571-00004-0000	SWITCH ASSEMBLY - LEFT
2	0571-00004-0100	SWITCH ASSEMBLY - RIGHT
3	0020-00202-0000	SWITCH PLATE (2 REQD.)
4	0017-00101-0528	#5-40 x 3/4 RD. HD. M. S. (4 REQD.)
5	0017-00101-0555	#6-32 x 5/16" SLT. HEX. HD. S.T.S.(2 REQD.)
6	0017-00042-0001	1/8 CLAMP (2 REQD.)
7	0017-00100-0025	"E" RING (2 REQD.)
8	0623-00702-0000	PIVOT PIN
9	0623-00008-0000	BRKT. & BUSHING SUB. ASSY.
10	0017-00042-0165	NYLINER (2 REQD.)
11	0017-00101-0646	#10-32 x 1/4 SLT. PAN.HD.S.E.M.(4 REQD.)
12	0017-00042-0115	INSULATOR
13	0010-00248-0000	EXTENSION SPRING
14	0623-00703-0000	SPRING PIN
15	0017-00100-0018	"E" RING (2 REQD.)
16	A623-00007-0000	CONTROL ASSEMBLY
17	0017-00102-0065	5/16 - 18 SOCKET HD. CAP SCREW(2 REQD.)
18	0544-00907-0000	RUBBER BUMPER (2 REQD.)
19	0623-00903-0000	SLIDE
20	0623-00100-00SC	DECORATIVE PLATE - RIGHT
	0623-00100-01SC	DECORATIVE PLATE - LEFT (NOT SHOWN)
21	0017-00101-0639	#8-32 x 1-1/4 CARRIAGE BOLT (4 REQD.)
22	0017-00104-0022	#8 WASHER (4 REQD.)
23	0017-00103-0008	#8-32 HEX NUT (4 REQD.)
24	0623-00700-0000	HANDLE TUBE
25	0017-00101-0307	#8-32 x 1/8 SET SCREW (2 REQD.)
26	0017-00033-0167	WIRE LEADS (2 REQD.)
27	0623-00911-0000	SHRINK TUBING (2 REQD.)
28	0017-00032-0004	PUSH BUTTON SWITCH
29	0586-00921-0000	GRIP
30	0017-00021-0009	15/32-32 NUT
	A623-00009-0000	RIGHT HAND CONTROL ASSY. - COMPLETE
	A623-00010-0000	LEFT HAND CONTROL ASSY. - COMPLETE
	0017-00001-0066	#1 WIRE NUT (NOT SHOWN)

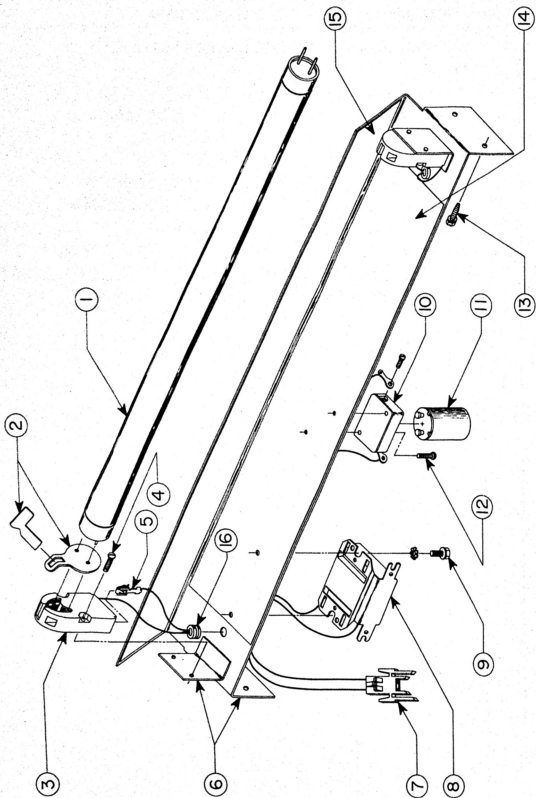
**NO. 623 GUIDED MISSILE EXPLOSION LAMP ASSY.**



## NO. 623 GUIDED MISSILE EXPLOSION LAMP ASSY.

ORDER BY PART NUMBER ONLY

ITEM	PART NO	DESCRIPTION
1	A623-00011-0000	EXPLOSION LAMP WELDING ASSY.
2	0623-00909-00SC	EXPLOSION BUYTRATE
3	0017-00101-0555	#6-32 x 5/16 HEX HD. S/T M. S. (3)
4	0017-00003-0170	PROJECTOR LAMP - 100W CLEAR (2)
5	0017-00003-0135	LAMP SOCKET (2 REQD.)
6	0017-00021-0002	SOLDER LUGS (4 REQD.)
7	0017-00101-0626	#8-32 x 3/4 PAN HD. MACH. SCREW (4)
8	0017-00104-0010	#8 EXTERNAL SHAKE-PROOF WASHER (4)
9	0017-00103-0008	#8-32 HEX NUT (4 REQD.)
10	0017-00101-0017	6 x 1/2 HEX HD. W/W BLK. S.M.S. (2 REQD.)
	0017-00021-0098	3 POSITION TERM. JACK - FEMALE (NOT SHOWN)
	A623-00012-0000	EXPLOSION LAMP ASSY. - COMPLETE



**MIDWAY MFG. CO.**  
A BALLY COMPANY

## NO. 623 GUIDED MISSILE - FLUORESCENT FIXTURE ASSY.

ORDER BY PART NUMBER ONLY

ITEM	PART NO	DESCRIPTION
1	0017-00003-0110	24" FLUORESCENT LAMP
2	0017-00021-0005	FLUOR. LOCKS (2 REQD.)
3	0017-00031-0015	LAMP HOLDERS (2 REQD.)
4	0017-00101-0521	#5-40 x 3/8 BINDER HD. M.S. (4 REQD.)
5	0017-00021-0078	BRASS FLUORESCENT TERM (4)
6	0605-00007-0000	FLUORESCENT BRKT. ASSY.
7	0017-00021-0096	2 TERMINAL JACK - FEMALE
8	0017-00003-0026	BALLAST
9	0017-00101-0593	#8-32 x 1/4 PAN HD. EXT. SEM. M.S. (2)
10	0017-00021-0079	STARTER HOLDER
11	0017-00003-0019	STARTER
12	0017-00101-0528	#5-40 x 3/4 RHMS (2 REQD.)
13	0017-00101-0017	6 x 1/2 HEX. HD. W/W BLK. S.M.S. (4)
14	0605-00910-0100	REFLECTOR STRIP - 21 1/4" LONG
15	0605-00910-0200	REFLECTOR STRIP - 24 1/2" LONG
16	0017-00041-0013	GROMMETS (2 REQD.)
	0605-00010-0000	FLUORESCENT FIXTURE ASSY. - COMPLETE

MIDWAY MFG. CO.



## NO. 623 GUIDED MISSILE FRONT DOOR ASSY.

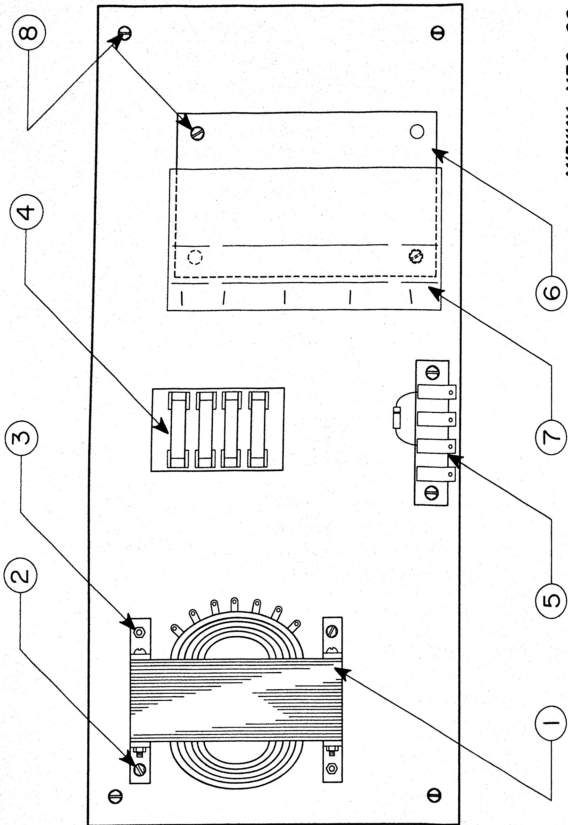
ORDER BY PART NUMBER ONLY

ITEM	PART NO	DESCRIPTION
1	0090-00902-0000 0090-00902-0100	DRESS PLATE DRESS PLATE (W/O PRESS BUTTON TO START GAME)
2	0017-00101-0552	6-32 x 1/4 CARRIAGE BOLT (2)
3	0090-00117-0003	COIN ENTRY PLATE (25¢)
4	0090-00906-0000	PLASTIC START BUTTON
5	0010-00007-0000	COMPRESSION SPRING
6	0090-00013-0200	DOOR ASSY. DOUBLE ENTRY
7	0017-00005-0050	DOOR LOCK & KEY WITH SCREW & NUT
8	0090-00002-02BR	DOUBLE DOOR FRAME
9	0017-00005-0041	421 N.S. CAM
10	0090-00901-0000	DOOR SWITCH
11	0090-00126-012N	SWITCH BACKUP PLATE
12	0017-00101-0528	5-40 x 3/4" LNG. M.S.
13	0090-00903-0040	25¢ WINDOW
14	0090-00143-0000	COIN PLEX RETAINER
15	0017-00104-0002	SPLIT LOCK WASHER
16	0017-00007-0019	KEY HOOK
17	0017-00103-0005	6-32 HEX NUT
18	0090-00010-0000	SW. PLATE & OILLITE ASSY.
19	0017-00100-0018	"E" RING
20	0090-00131-0000	SWITCH
21	0090-00104-0000	TOP & BTM. COIN CHUTE W/BRKT. ASSY.
22	0017-00101-0598	8-32 x 5/16 SCREW
23	0010-00181-0100	SPRING
24	0090-00129-0000	PIVOT POST
25	0010-00134-0000	SPRING
26	0090-00008-0000	ACCEPTOR FRAME ASSY.
27	0093-00155-0000	REJECTOR LEVER
28	0017-00100-0012	"E" RING
29	0093-00151-0000	COIN GUIDE MTG. BRACKET
30	0090-00005-0000	COIN GUIDE ASSY.
31	0017-00101-0555	6-32 x 5/16 SCREW
32	0017-00005-0039	COIN SWITCH
33	0010-00557-0025	TRIP WIRE
34	0017-00007-0132	PUSH-ON RING (BIK)
35	0017-00101-0507	#4-36 x 3/4 SCREW

MIDWAY MFG. CO.

PAGE

**NO. 623 GUIDED MISSILE TRANSFORMER BOARD ASSY.**



**MIDWAY MFG. CO.**  
A BALLY COMPANY

NO. 623 GUIDED MISSILE TRANSFORMER BOARD ASSY.

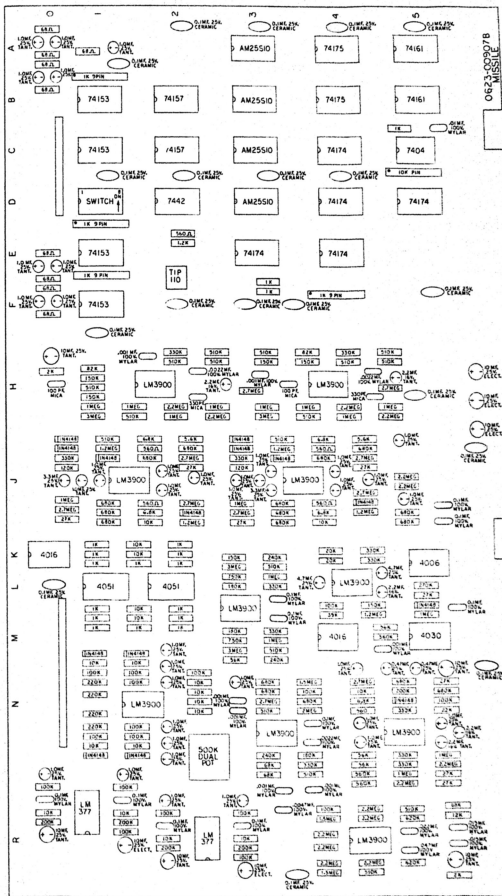
ORDER BY PART NUMBER ONLY

ITEM	PART NO	DESCRIPTION
1	MT00-00058-0000	TRANSFORMER
2	0017-00101-0017	6 x ½ HEX HD. S.M.S. (6 REQD.)
3	0017-00101-0692	CARRIAGE BOLTS (2 REQD.)
4	0720-00001-0000	FUSE BLOCK ASSY.
5	0031-00001-0000	TERMINAL STRIP ASSY.
6	0623-00910-0800	EXPLOSION LIGHT P.C. BRD.
7	0623-00912-0000	FISH PAPER
8	0017-00101-0028	8 x ¾ HEX HD. S.M.S. (6 REQD.)
	0017-00003-0064	LINE CORD (NOT SHOWN)
	A623-00016-0000	TRANSFORMER BRD. ASSY. - COMPLETE

NO. 623 GUIDED MISSILE - ADDITIONAL PARTS LIST

*ORDER BY PART NUMBER ONLY*

ITEM	PART NO	DESCRIPTION
	A623-00010-0000	CASH BOX ASSY.
	A623-00013-0000	CASH BOX COVER ASSY.
	A623-00014-0000	SIDE CHANNEL RIVETING ASSY.
	0623-00108-0100	CASH BOX SIDE CHANNELS
	0017-00101-0628	#8-32 x 3/4 CARRIAGE BOLTS (4 REQD.)
	0017-00104-0022	STEEL WASHER (4 REQD.)
	0017-00103-0008	#8-32 HEX NUTS (4 REQD.)
	0572-00103-0000	VENT GRILL (2 REQD.)
	0605-00107-0000	FISH PAPER BARRIER
	A567-00003-0100	P. C. SUPPORT BRKT. ASSY.
	0623-00906-0300	P. C. SUPPORT BRKTS. (3 REQD.)
	0017-00101-0025	8 x 1/2 HEX HD. WD. SCR. (8 REQD.)
	0080-00904-D000	POWER SUPPLY ASSY.
	A623-00005-0000	MOTHER & GAME BRD. ASSY.
	0080-00900-E000	MOTHER BOARD ASSY.
	A623-00907-0800	GAME BOARD ASSY.



08-23-00907B  
MISSILE









