

Williams®



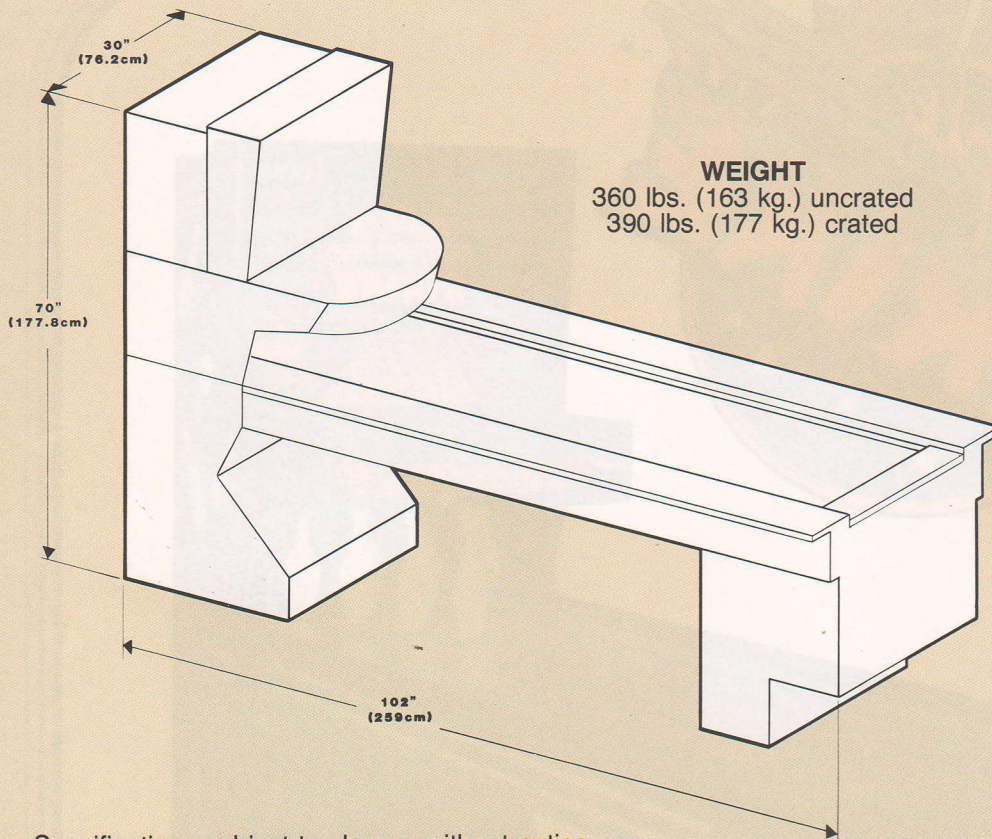
- new "Triple Strike" way to play
- bold new artwork
- sleek butcher block playfield
- Williams reliability

and now
available with

- ticket dispenser option

new profit option

A new and exciting shuffle alley with a new way to play is a terrific game option for the operator who knows the profit value of offering the widest variety of quality equipment in his location. And our ticket dispenser option makes it the perfect play for amusement centers, arcades and parks. Opt for TRIPLE STRIKE for the only 6-player profit potential and 5 great ways to play!



WEIGHT
360 lbs. (163 kg.) uncrated
390 lbs. (177 kg.) crated

POWER REQUIREMENTS
115/230VAC Nominal, 50/60Hz
@ 4.4/2.2A Peak 230 W
Normal Line = 98-126VAC
196-252VAC
Low Line* = 88-113VAC
176-226VAC
*Transformer jumpers required.
See service manual.

ENVIRONMENT
Operating Temperature
0° to 45°C ambient
(+32° to +113°F)
Storage Temperature
-40° to +65°C ambient
(-40° to +149°F)
90% RH at 40°C (104°F),
non-condensing

OPTIONAL TICKET DISPENSER
WEIGHT
7 lbs. (3 kg.)
POWER REQUIREMENTS
115VAC
0.75A 85W

Specifications subject to change without notice.

This equipment has been certified to comply with the limits for a Class A computing device pursuant to Subpart J of Part 15 of FCC Rules, which are designed to provide reasonable protection against radio frequency interference when operated in a commercial environment.

SERVICE

For the back-up that keeps you out front, call Williams toll-free at 800/621-1253. In Illinois, call toll-free at 800/572-1324.

NOTICE: "TRIPLE STRIKE" is a trademark of Williams Electronics, Inc.

Williams[®]
ELECTRONICS, INC.

3401 N. California Ave., Chicago, IL 60618
312/267-2240, Telex 253095